

Pauluhn™ Apex

High bay fluorescent luminaire for hazardous industrial locations

The Pauluhn Apex is the perfect high bay fixture for hazardous industrial locations. The rugged Apex is engineered to shed debris and is IP66 rated for moisture protection in hose down applications.

Applications:

- Locations requiring continuous and consistent light levels
- Food and beverage processing and storage
- Power generation facilities
- Water/wastewater treatment facilities
- Pharmaceutical facilities

Key features & benefits:

- High lumen output: up to 30,000 lumens
- Complete portfolio of T5, T8 and T5HO fluorescent models
- Versatile mounting options
- NSF rated
- Operating ambient: -25°C to +55°C
- Optimized debris shedding design
- USDA compliant
- High pressure hose down rated



Certifications:

- Class I, Division 2, Groups A, B, C, D
- Class II, Division 1, Groups F, G
- Class III
- Type 4 (HBAB only); Type 4X (HBSB only)
- IP66
- UL844 Hazardous Locations (CSA-US)
- UL924 Emergency Lighting Equipment (CSA-US)
- UL1598 Luminaires (CSA-US)
- CSA Class 3428 03
- CSA Class 3428 83
- NSF/ANSI 2-2010 Splash Zone

Materials:

Housing:

- Type 5052 aluminum (HBAB only)
- Type 304 stainless steel (HBSB only)

Lens:

- Clear acrylic standard, polycarbonate or glass optional



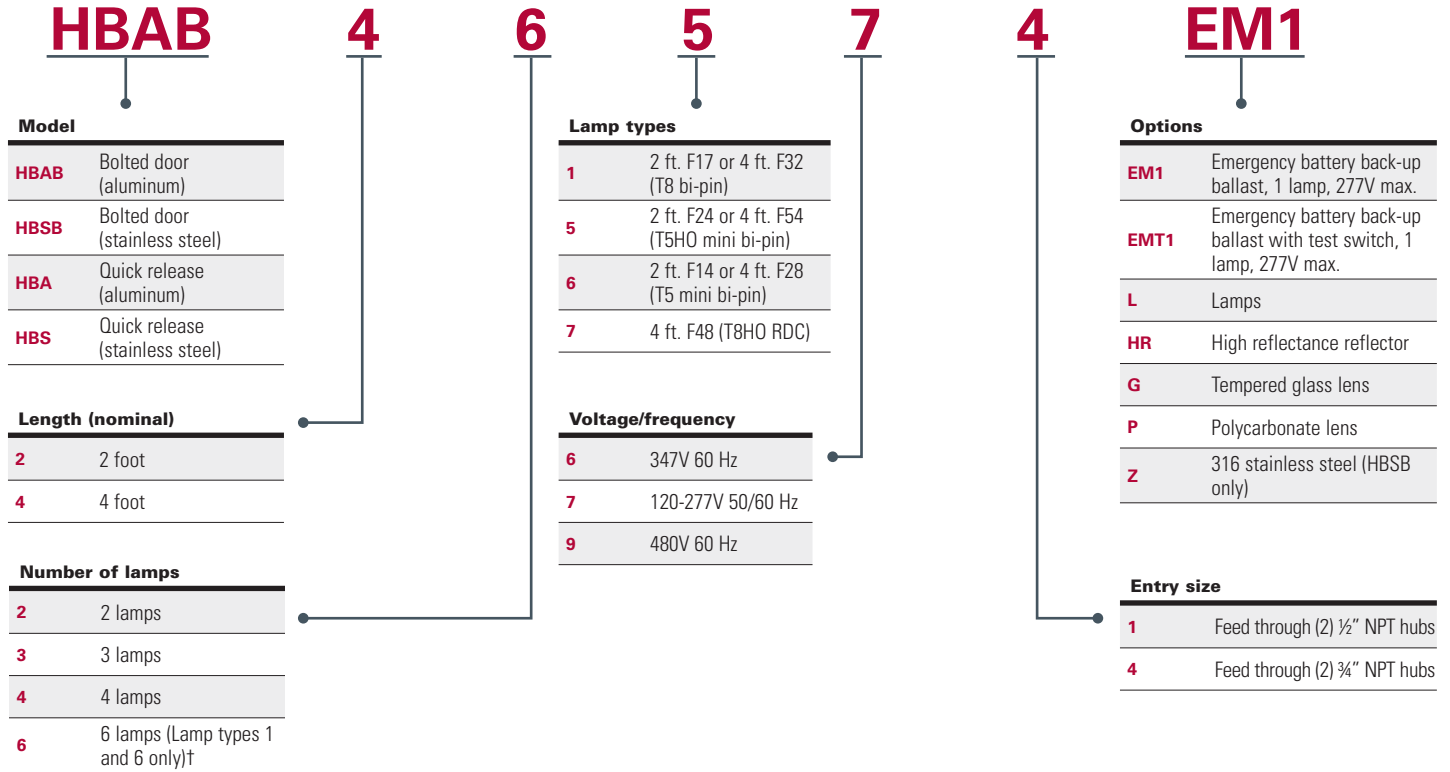
Powering Business Worldwide

Ordering information

Part number example

HBAB46574EM1

HBAB (aluminum body with bolted door), 4 foot, 6 lamps, F54 (T5HO mini bi-pin), 120-277V 50/60 Hz, feed through mounting, emergency battery back-up ballast



†For HBSB and HBS only.

Temperature codes

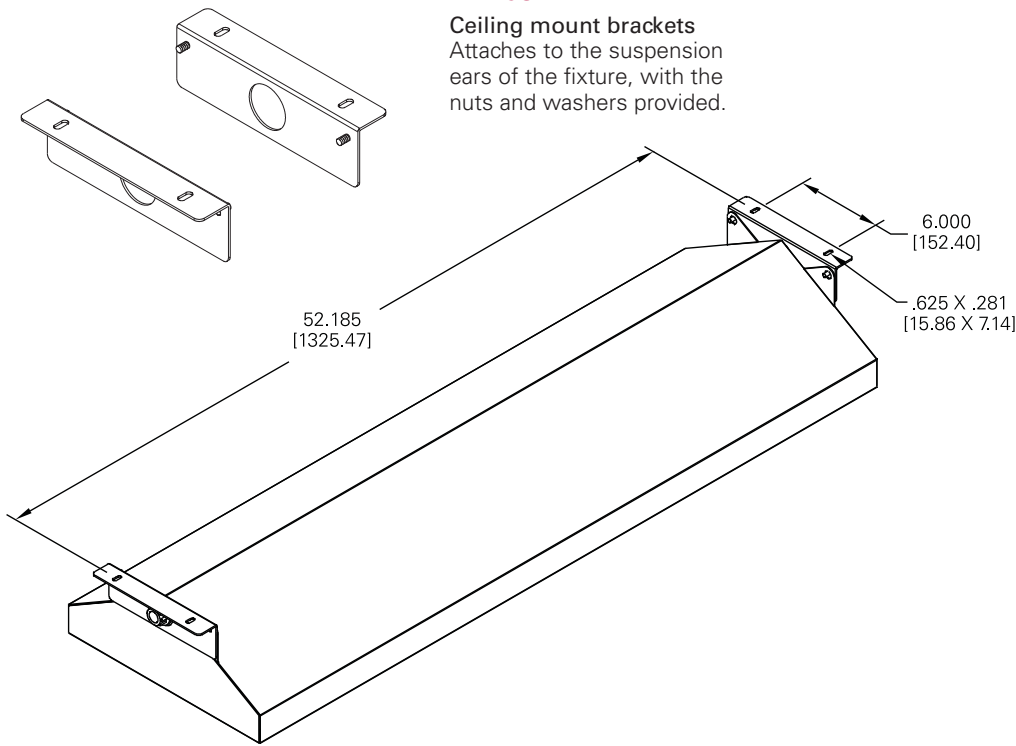
Temperature code T3C: 55°C maximum ambient; 480 VAC maximum, 50/60 Hz

Lamp type	No. of lamps	Ambient temperature		
		40°C	50°C	55°C
T5	1-6	T3C	T3C	T3C
T5HO	1-6	T3C	T3C	T3C
T8	1-4	T5	T5	T5
T8	5-6	T3C	T3C	T3C
T8HO	1-4	T5	T5	T5

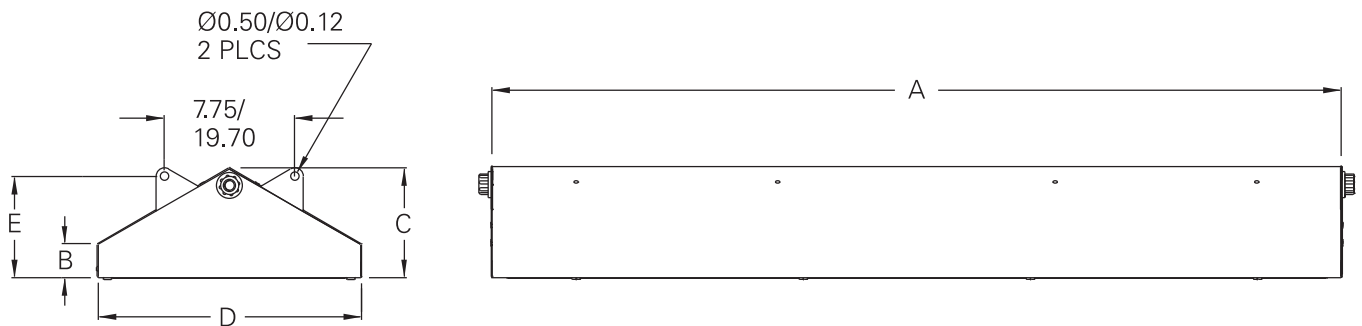
Mounting options

FX7091

Ceiling mount brackets
Attaches to the suspension ears of the fixture, with the nuts and washers provided.



Dimensions



Nominal length	Dimensions in inches/centimeters					Carton L x W x D (inches)	Nominal weight†	
	A	B	C	D	E		HBAB lbs. (kg.)	HBSB lbs. (kg.)
2 foot	26.59 (67.50)	2.00 (5.10)	6.53 (16.60)	15.72 (39.93)	6.00 (15.20)	28-3/4 x 16-3/8 x 7-1/8	19.0 (8.6)	26.0 (11.8)
4 foot	50.59 (128.50)	2.00 (5.10)	6.53 (16.60)	15.72 (39.93)	6.00 (15.20)	53 x 16-3/8 x 7-1/8	32.0 (14.5)	46.0 (20.8)

†Add 1 lb. for 3 or 4 lamps. Add 2 lbs. for 6 lamps.

**U.S. (global headquarters):
Eaton's Crouse-Hinds Division**

1201 Wolf Street
Syracuse, NY 13208

(866) 764-5454
FAX: (315) 477-5179
FAX Orders Only:
(866) 653-0640

crousecustomerctr@eaton.com

For more information:

If further assistance is required, please contact an authorized Eaton Distributor, Sales Office, or Customer Service Department.

Canada

Toll Free: 800-265-0502
FAX: (800) 263-9504
FAX Orders only: (866) 653-0645

Mexico/Latin America/Caribbean

52-555-804-4000
FAX: 52-555-804-4020
ventascentromex@eaton.com

Europe (Germany)

49 (0) 6271 806-500
49 (0) 6271 806-476
sales.CCH.de@cooperindustries.com

Middle East

9714-8066100
FAX: 9714-8894813
chmesales@eaton.com

Singapore

65-6645-9888
FAX: 65-6297-4819
chsi-sales@cooperindustries.com

China

86-21-2899-3600
FAX: 86-21-2899-4055
cchsales@cooperindustries.com

Korea

82-2-3484-6783
82-2-3484-6778
CCHK-sales@cooperindustries.com

Australia

61-2-8787-2777
FAX: 61-2-9609-2342
CEASales@cooperindustries.com

India

91-124-4683888
FAX: 91-124-4683899
cchindia@eaton.com

Eaton's Crouse-Hinds
1201 Wolf Street
Syracuse, NY 13208
Crouse-Hinds.com

Eaton
1000 Eaton Boulevard
Cleveland, OH 44122
United States
Eaton.com

© 2016 Eaton
All Rights Reserved
Printed in USA
Publication No. 5286-0416
April 2016

Eaton is a registered trademark.
All other trademarks are property of their respective owners.