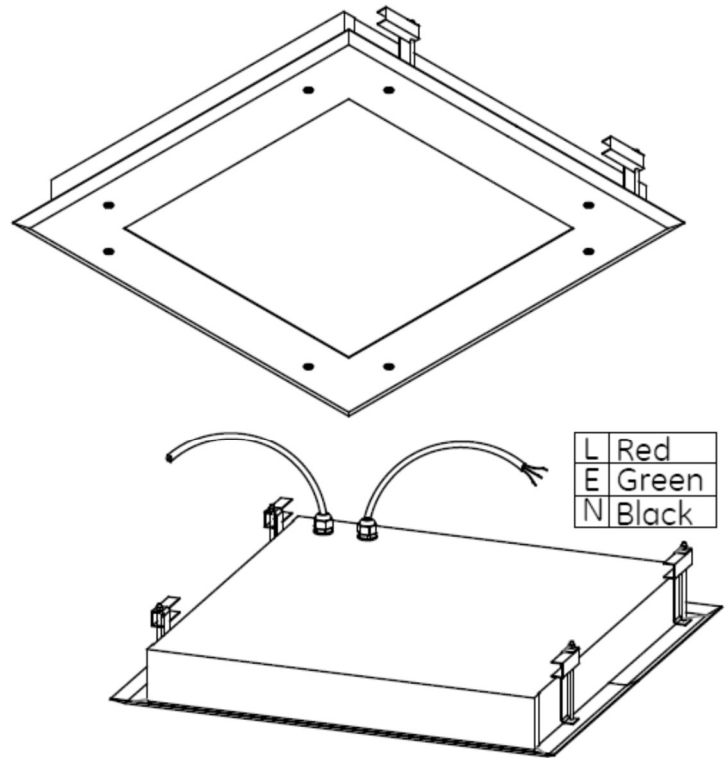
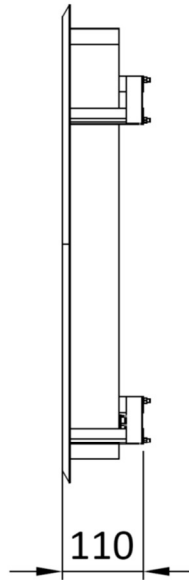
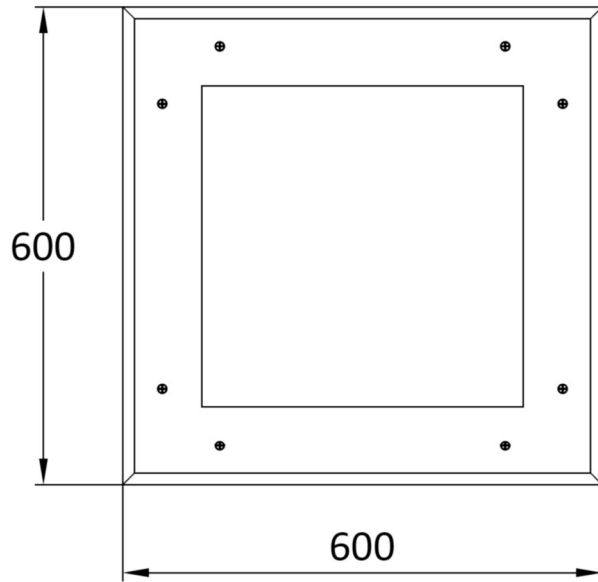
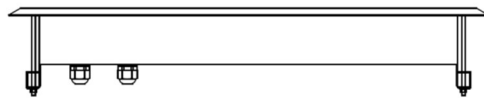


Mounting Instruction Sheet

CLEAN ROOM _ 2X2



Loop IN- Loop Out
Connection



Cutout size: 550x550 MM

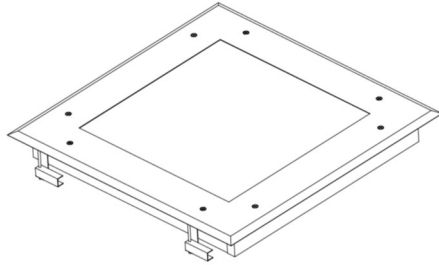
Wattage	Length-mm	Width-mm	Height-mm	Weight-Kgs
36W	600	600	110	6.050
45W	600	600	110	6.050
60W	600	600	110	6.285

M0246 R0

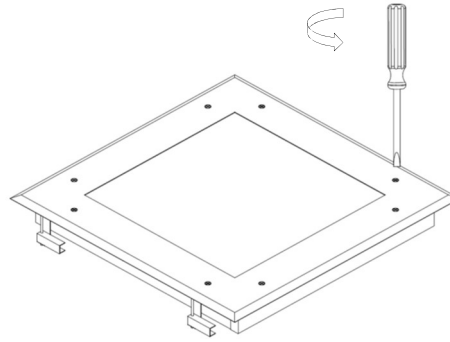


BEFORE YOU BEGIN

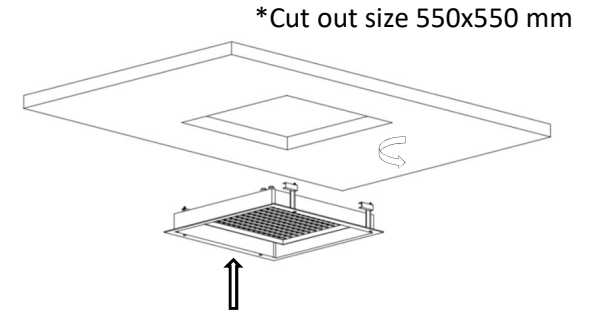
Read these instructions completely and carefully



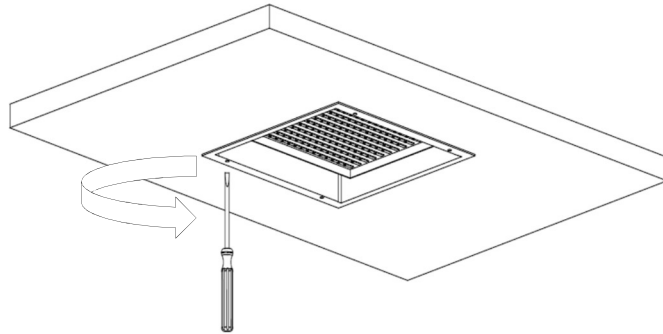
1. Take the fixture out of the Box.



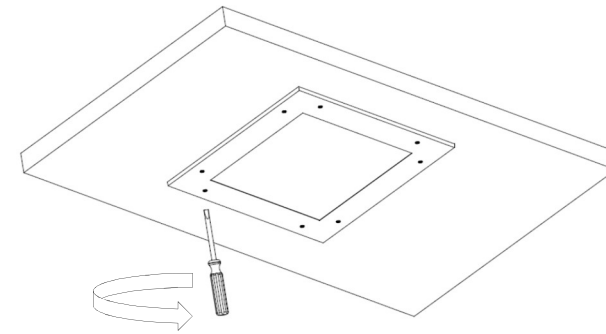
2. Remove the 8 No. M4 screws as shown in the figure.



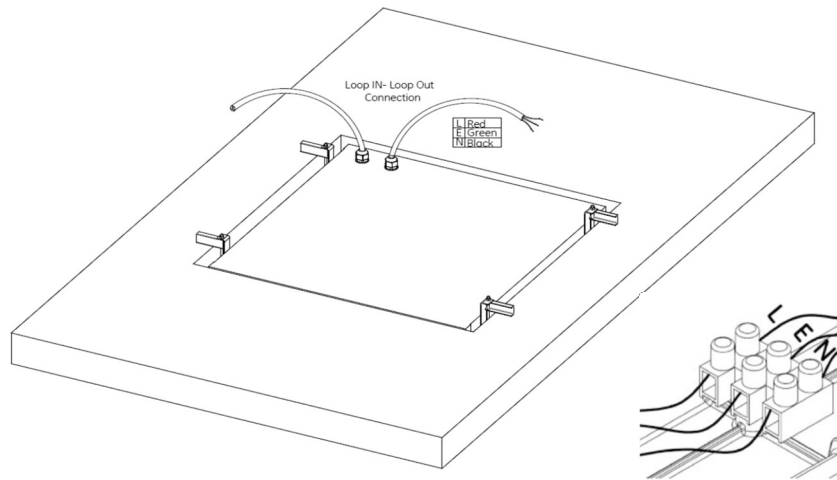
3. Align and insert into the grid & turn the 4 clamps and it will hold the luminaire.



4. Tighten the 4 Clamps with a screw driver as shown in the figure.



5. Fix the front frame to the luminaire with 8 No. M4 screws.



6. Connect the Line, Earth & Neutral wires as shown in the figure and complete the installation. (Loop IN- Loop Out Connection system also provided)



CAUTION

RISK OF ELECTRICAL DAMAGE

- Do not mismatch output Polarities.
- Verify the Circuit wiring before connecting



WARNING

- Risk of shock, disconnect power before maintenance.
- Risk of burn, allow fixture to cool down before handling.
- Risk of falling under incorrect installation.
- Risk of injury, "Replace the diffuser immediately if damaged or broken"