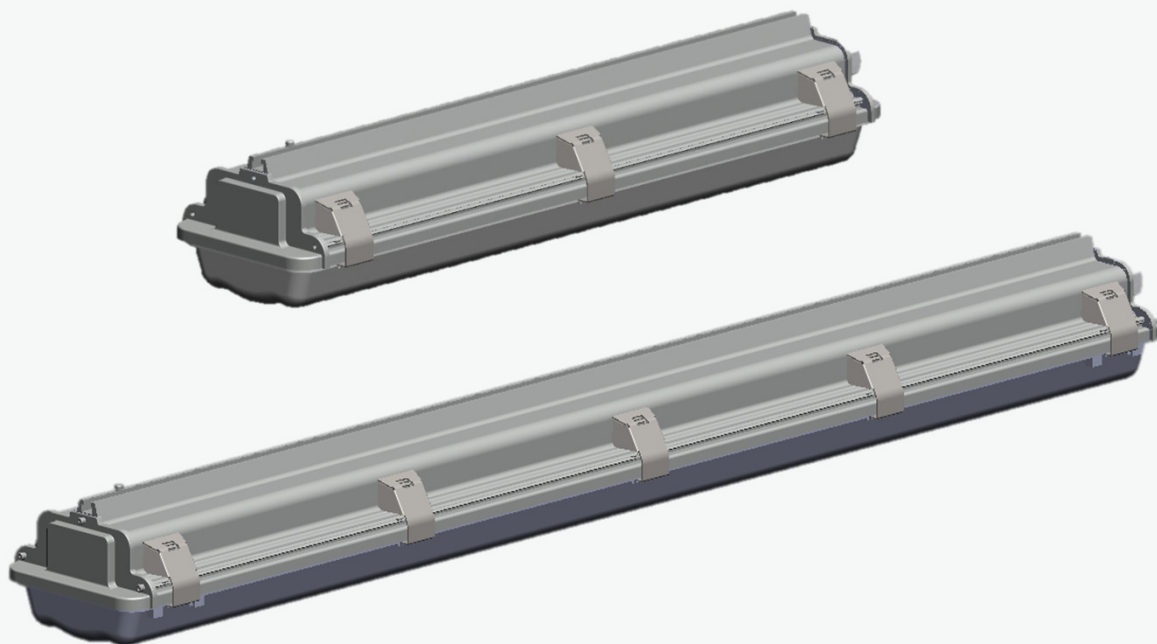


NHLL Series Explosion-protected LED Lighting Fixture



Powering Business Worldwide

1. DIMENSIONS

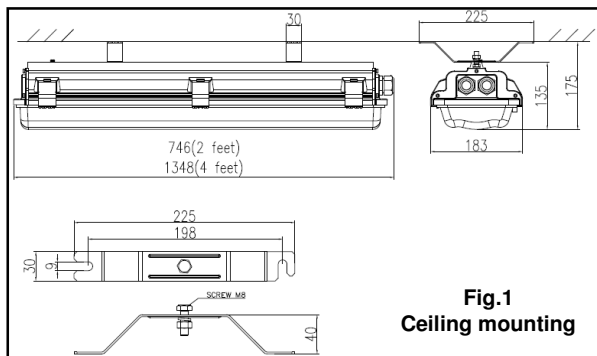


Fig.1
Ceiling mounting

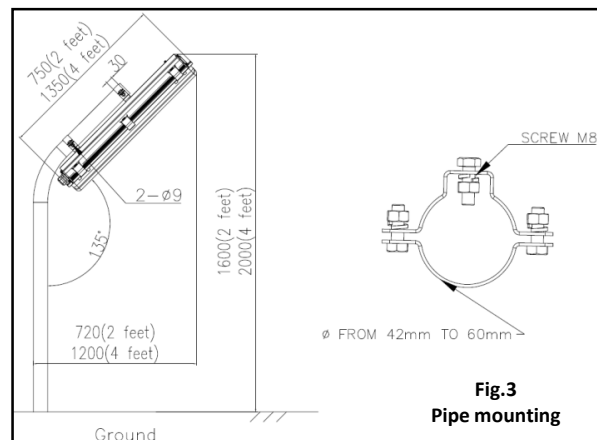


Fig.3
Pipe mounting

3. Safety Instructions



This product should be installed, inspected, and maintained by a qualified electrician only, in accordance with national regulation, including the relevant standard and, where applicable, in acc. With IEC 60079-17 on electrical apparatus for explosive atmospheres.

The national safety rules and regulations for prevention of accidents and the following safety instructions in these operating instructions, will have to be observed!

- ❖ ***The luminaire must not be operated in Zone0 or Zone20 or Zone 1!***
- ❖ ***When using in Zone21, Zone22, the requirements of IEC/EN 60079-14 relating to temperature must be observed. The indicated surface temperatures are not related to a layers above 5 mm thickness.***
- ❖ ***Do not install where the marked operating temperature exceed the ignition temperature of the hazardous atmosphere.***
- ❖ ***Do not operate in ambient temperatures above those indicated on the luminaire nameplate.***
- ❖ ***The luminaires shall be operated as intended and only in undamaged and perfect conditions! And Keep tightly closed when in operation!***
- ❖ ***The technical data indicated on the luminaire are to be observed!***
- ❖ ***Change of the design and modifications to the luminaire are not permitted!***
- ❖ ***Multiple, short-term switching must be observed!***
- ❖ ***Only genuine Eaton Crouse-Hinds spare parts may be used for replacement!***
- ❖ ***Repairs that affect the explosion protection, may only be carried out by Eaton Crouse-Hinds or qualified electrician!***
- ❖ ***Potential electrostatic risk clean only with a damp cloth.***

4. Conformity with standards

This explosion protection floodlight meet the requirements of IEC/EN 60079-0, IEC/EN 60079-1, IEC/EN 60079-7, IEC 60079-11, IEC 60079-18, IEC/EN 60079-31. It also complies with the EU Directives for "Apparatus and protective system for use in explosion atmospheres" (2014/34/EU). It has been designed, manufactured and tested in accordance to the state of the art and according to ISO 9001:2008. The luminaires are suitable for use in explosive atmospheres, Zone 2 according to IEC60079-10-1 and dust area Zone 21 and Zone 22 according to IEC60079-10-2.

5. Cable gland recommend

| Entry size | Part No. | Cable size | Torque (Nm) | |
|------------|-----------|------------|--------------------|-----------|
| | | | screw-in enclosure | For cable |
| M20 | CAP816609 | 8.5-16 | 20 | 20 |
| M25 | CAP816709 | 12-21 | 30 | 30 |

Note: Mounting the selected cable glands acc. type and dimensions of the main connection cable. Following their manufacturer instructions.

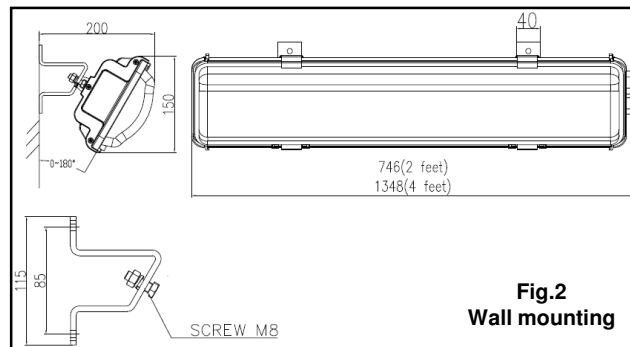


Fig.2
Wall mounting

2. Technical data

Hazardous area specification

IECEx protection type: Ex db ec ib mb tb

ATEX protection type: Ex db ec ib mb tb op is

IECEx Certification Marking:
Ex db ec IIC T5/T6 Gc(Normal with switch)
Ex db ec ib mb IIC T5/T6 Gc(EM with switch)
Ex ec IIC T5/T6 Gc (Normal without switch)
Ex ec ib mb IIC T5/T6 Gc(EM without switch)
Ex tb IIIC T80°C Db

ATEX Certification Marking:
II3 G Ex db ec op is IIC T5/T6 Gc(switch)
II3 G Ex db ec ib mb op is IIC T5/T6 Gc(EM switch)
II3 G Ex ec op is IIC T5/T6 Gc (without switch)
II3 G Ex ec ib mb op is IIC T5/T6 Gc(EM w/o switch)
II2 D Ex tb op is IIIC T80°C Db

Ambient temperature: -40°C~+50/55 °C/-25°C~+50/55 °C

Temperature class: T6

IECEx Certificate No.: IECEx NEP 18.0003X

EC type examination Certification No.: SEV 18 ATEX0171X

Degree of protection: IP 66 acc. to EN60529/IEC60529

Approval of the production

Quality assurance: Bassefa ATEX 5952

Enclosure specification

Material of enclosure: Aluminum

Finish: Coating or anodizing

Material of cover: PC

Mounting bracket: Stainless steel or Steel painted

Fasteners: All external fasteners stainless steel

Installation: Mounting bracket

Weight: Refer to Type Configuration.

Entry specification

Indirect entry: M20 × 1.5 or M25 × 1.5 cable entry.

Electrical specification

Wattage: 30W/40W/60W/80W

Voltage: 110 - 240Vac 50/60Hz, 108 - 250Vdc

Lamp: LED Arrays

Lumen output at EM 25%/20%

Emergency time 1.5h/3h

CRI: 70

Insulation class: I acc. to IEC60598

Terminals capacity: 6mm² Terminal: Solid: 1~6mm²

6. Fields of Application

The Luminaire with Ex d e i m protection and IP66 sealing making is suitable for use at potentially explosive atmospheres including ignitable gas and dust applications. The luminaire is designed for use in Zone 2/Zone 21/Zone 22 hazardous areas in indoors and outdoors, in Marine and Wet locations, where moisture, dirt, corrosion, vibration and rough usage may be present. Application ambient temperature is -40°C~+55°C or -25°C~+55°C. Refer to the luminaire nameplate, For specific information, corresponding operating temperature(T-Code). The enclosure materials used, including any external metal parts, are High quality materials that ensure a corrosion resistance and resistance to chemical substances according to the requirements for use in a "normal" industrial atmosphere. In case of use in an extremely aggressive atmospheres, please refer to manufacture.

7. 配置及温度组别

| Std. Cat No. | Color | System | LED | T Class | T °C | Voltage | Tamb. | Weight |
|--------------------------|----------------|--------|------|----------------------|---------|-------------------------------------|---------|--------|
| | Temp. | power | Qty. | (Gas) | (Dust) | (V) | (°C) | (kg) |
| NHLL-2-W*-2L*-**.*.*.* | 3000K | 30W | 28 | T6 | 80 | 110-240Vac 50/60Hz 108-250Vdc | -40~+55 | 6 |
| NHLL-2-W*-2L*-EM**.*.*.* | 4000K | | | | | | -25~+55 | 7 |
| NHLL-2-C*-3L**.*.*.* | 5000k | | | | | | -40~+55 | 6 |
| NHLL-2-C*-3L*-EM**.*.*.* | 5700K | | | | | | -25~+55 | 7 |
| NHLL-2-W*-3L**.*.*.* | 3000K | 40W | 64 | T5(55°C) T6(50°C) | | | -40~+55 | 6 |
| NHLL-2-W*-3L*-EM**.*.*.* | 4000K | | | | | | -25~+55 | 7 |
| NHLL-2-C*-4L**.*.*.* | 5000k | | | | | | -40~+55 | 6 |
| NHLL-2-C*-4L*-EM**.*.*.* | 5700K 6500K | | | | | | -25~+55 | 7 |
| NHLL-4-W*-4L**.*.*.* | 3000K | 60W | 56 | T6 | | | -40~+55 | 10 |
| NHLL-4-W*-4L*-EM**.*.*.* | 4000K | | | | | | -25~+55 | 12 |
| NHLL-4-C*-5L**.*.*.* | 5000k | | | | | | -40~+55 | 10 |
| NHLL-4-C*-5L*-EM**.*.*.* | 5700K 6500K | | | | | | -25~+55 | 12 |
| NHLL-4-W*-7L**.*.*.* | 3000K | 80W | 128 | T6 | -40~+55 | 10 | | |
| NHLL-4-W*-7L*-EM**.*.*.* | 4000K | | | | -25~+55 | 12 | | |
| NHLL-4-C*-8L**.*.*.* | 5000k | | | | -40~+55 | 10 | | |
| NHLL-4-C*-8L*-EM**.*.*.* | 5700K 6500K | | | | -25~+55 | 12 | | |

The interval between maintenance depends upon the ambient conditions and the hours of operation. The recommendations given within EN/IEC 60079-17 for recurring checks must be observed.

10.2 Checks

The equipment must be de-energized before opening

Visual inspection should be carried out at a minimum of 12 monthly intervals and more frequently if conditions are severe, refer to EN/IEC 60079-17. The time between lamp changes could be very infrequent and this is too long a period without inspection.

10.3 Routine Examination

During maintenance, the parts affecting the level of protection must be checked in particular:

- Ensure the lamp is lit when energized and examine the enclosure and glass for any signs of cracks and damage.
- When de-energized and left to cool, there should be no significant sign of internal moisture. If there are signs of water ingress, the luminaire should be opened up, dried out, and any likely ingress points eliminated by re-gasketing, re-greasing or other replacement.
- Check the gasket of pc cover and LED housing for any damage or permanent set and replace as required.
- Terminal, screw glands and blanking plugs for secure fitting.
- To maintain the light output, clean the protective pc cover periodically with a damp cloth or a mild cleaning fluid.
- If this product is used in the combustible dust area, outside of enclosure must be cleaned on a regular basis to prevent

accumulation of dust.

- The cable connections should be checked for tightness. The gasket should be checked for cracks or lack of elasticity, and if necessary, replaced.
 - Check that mountings are secure and the adjusting bolts are tight.
 - If it has been suspected that the luminaire has mechanical damage, a stringent workshop overhaul will be required. Where spares are needed, these must be replaced with factory specified parts. No modifications should be made without the knowledge and approval of the manufacturer.
- Cleaning the joint of housing assy. and pc cover use a damp cloth or a mild cleaning fluid.**

11. Repair/Overhaul/Modifications

11.1 General

The national regulations EN/IEC60079-19 have to be observed! Repairs and overhaul may only be carried out with genuine Eaton Crouse-Hinds spare parts. In the case of battery failure, the battery pack must be replaced as a complete unit from the manufacture and by Eaton person or the person qualified by Eaton. Before replacing or disassembling individual parts, observe the following:

Disconnect the power supply to the equipment before maintenance/repair. Make sure that there is no explosive atmosphere when opening the equipment. See section 8.4 for notes on opening and closing the lamp.

Only use original spare parts. If the luminaire was previously in operation then wait to cool enough before opening. Repairs that affect the explosion protection, may only be carried out by Eaton Crouse-Hinds or a qualified electrician in compliance with the applicable national rules.

Modifications to the device or changes to its design are not permitted. After carrying out repair or overhaul work, ensure that the "Exde" properties have not been affected. Assistance may also be obtained through Cooper Electronic Technologies (Shanghai) Co., Ltd. Sales Service department, 955 ShengLi Road, Pudong Shanghai 201201 Phone (86) 21-28993943

8. Installation

8.1 General

The respective national regulations IEC/EN 60079-14 as well as the general rules of engineering which apply to the installation and operation of explosion protected apparatus will have to be observed!

The improper installation and operation may result in the explosion protection and invalidation of the guarantee.

8.2 Mounting luminaire

8.2.1 Mounting the bracket

Only use the accompanying mounting bracket! Securely fasten the mounting bracket to a suitable base with sufficient load-bearing capacity. The mounting should be secured with M8 bolts and relative lock washers, nuts should be used.

The minimum distance between the luminaire and illuminated surface, directly in front of the luminaire, is 0.5 meter. The lamp must not be illuminated when at a distance of less than 0.5m from inflammable material

8.3 Cable entries/Plugs and Breathing valve

The "Increased safety (Exe)" properties must be preserved when select and mount cable entry/plug and breathing valve. Unused holes must be closed with certified plug to establish the Exe protection category. The cable glands/plugs and breathing valve should be Ex tb certified if the whole product is Ex tb certified also. **Cable entries sealing washer(if required by manual of cable gland/plug) must be used to obtain IP66.**

The authoritative mounting guidelines for the cable glands and breathing valve used must be observed. Mounting the selected cable entries acc. type and dimensions of the main connection cable following their manufacturer instructions. The cable temperatures are given as the rise over the max. rated ambient (Tamb). This allows the user to adjust the cable specification for actual maximum site ambient. Only heat resistant cable according to the data on the type label may be used! The max. conductor size is 6mm².

8.4 Opening/closing the luminaire

8.4.1 General

The opening of luminaire always shall be without voltage! All gasket seals must be clean and

and undamaged before closing the luminaire.

Make sure the luminaires is well closed before operation!

8.4.2 Exe chamber cover

Open the buckles and remove the PC cover. And carry out the steps in reverse order to close the luminaire. Check all buckles to ensure a secure fit during operation

8.5 Electrical connection

The electrical connection of the lamp must only be established by qualified electricians.

Make sure the supply voltage is the same as the luminaire voltage! Use proper supply wiring as specified on the nameplate of the luminaire and in this instructions! Excessive tightening may affect or damage the connection.

8.5.1 Wire connection

The conductors shall be connected with special care in order to maintain the explosion category. The conductor itself shall not be damaged.

The connectible min. and max. conductor cross-sections shall be observed (see technical data).

All terminals, used and unused, shall be fully tightened to prevent incorrect connection between 1.5~1.8Nm. Main connection: See wiring diagram Fig.4 for details.

9. Putting into operation

Prior to putting the apparatus into operation, the tests specified in the relevant national regulations shall be carried out. Insulation measurements may only be carried out between PE and the external conductor L1 (L2, L3) as well as between PE and N.

- Measurement voltage: Max. 1.5 KV AC
- Measurement current: Max.5 mA
- The luminaire may only be operated when closed.

- It is generally recommended (see IEC/EN 60079-14) that you ensure the type of protection of the construction is not impaired during installation.

10. Maintenance/Serviceing

10.1 General

The relevant national regulations which apply to the maintenance/servicing of electrical apparatus in explosive atmospheres, shall be observed (EN/IEC 60079-17).

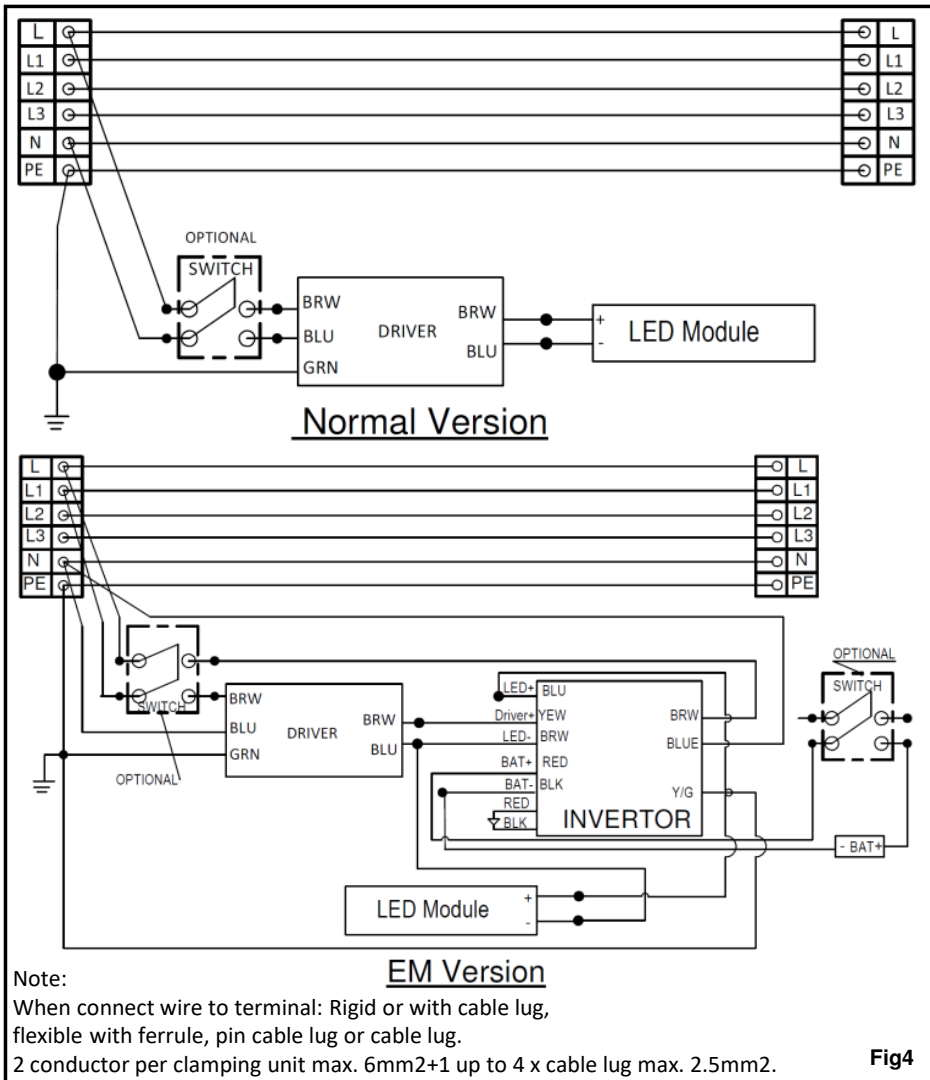


Fig4

12. Disposal/Recycling

When the apparatus is disposed of, the respective national regulations on waste disposal will have to be observed. **Regarding waste disposal, observe the relevant national regulations! The plastic materials are marked with material identification.**

13. Catalog No. definition

| NHLL | -2 | -W1 | -2L | -EM1 | -1/6-120 | -C | -N |
|------|-----|-----|-----|------|----------|-----|-----|
| (1) | (2) | (3) | (4) | (5) | (6) | (7) | (8) |

(1). NHLL

Indicates basic catalogue series designation.

(2). Indicates Length

-2 = 2 feet length; -4 = 4 feet length.

(3). Indicates LED colour temperature.

-C1 = 5000K, C2 = 5700K, C3 = 6500K;

-W1 = 3000K, -W2 = 4000K

(4). Indicates Total Luminous Flux.

-2L = 2000 Lm, -3L = 3000 Lm

-4L = 4000 Lm, -5L = 5000 Lm

-7L = 7000 Lm, -8L = 8000 Lm

(5). Emergency Duration.

Blank = Non-Emergency;

-EM1 = 25% Output 1.5h;

-EM2 = 25% Output 3h;

-EM3 = 20% Output 3h.

(6). Indicates wire and entry type.

-1/6-120 = 6mm² Single-ended 1 × M20

-1/6-220 = 6mm² Single-ended 2 × M20

-1/6-125 = 6mm² Single-ended 1 × M25

-1/6-225 = 6mm² Single-ended 2 × M25

-2/6-120 = 6mm² Through wiring 2-1 × M20

-2/6-220 = 6mm² Through wiring 2-2 × M20

-2/6-125 = 6mm² Through wiring 2-1 × M25

-2/6-225 = 6mm² Through wiring 2-2 × M25

(7). Indicates Coating.

Blank = No coating; -C = Coating

(8). Indicates safety switch.

Blank = with safety switch;

-N = No safety switch.