

# 7121 SERIES FLASHING STROBES

## Installation & Maintenance Information

### SAVE THESE INSTRUCTIONS FOR FUTURE REFERENCE

**CAUTION** Read carefully before installing and wiring the luminaire. These instructions include information for installation in both hazardous and marine locations. Any warning or special instructions should be closely followed. Marine installations on boats should be done in accordance with the regulations of the USCG, CFR46, SUB CHAPTER J, PARTS 110-113. Hazardous area installations should be done in accordance with article 500 and 501 of the NEC or CEC. Intended for vertical mounting. Check the ratings to insure suitability for the area.

Must be installed in accordance with the NEC or CEC and all other applicable codes. All luminaires must be properly grounded. To reduce the risk of fire or explosion, do not install where the marked operating temperature exceeds the ignition temperature of the hazardous atmosphere. Disconnect the fixture from the supply circuit before opening. Keep tightly closed when in operation. These luminaires are provided with one 3/4" NPT outlet. Do not attempt to install this luminaire unless you are familiar with warnings, cautions and procedures outlined in this information sheet.

### INSTALLATION & ELECTRICAL WIRING

**WARNING** Risk of electrical shock hazard, only qualified personnel should conduct this procedure!

Do not make electrical connections with the power ON. Use cu or cu clad wire only.

High voltage are present inside strobe assembly. Wait at least 5 minutes after shutting off the power before servicing.

#### INSTALLATION

1. Install conduit or fitting (not provided) into the junction box (0A), tighten to assure a proper seal and lock in position with set screw (9J).
2. Route supply cable (not provided) thru conduit or fitting (not provided) .
3. Strip the supply cable jacket back. Strip the insulation of ground and supply wires.
4. Using connectors, connect ground wire to green wire or green screw (9C).
5. AC units: Using connectors, connect the hot wire to black and the neutral to the white wire. DC units: Using connectors, connect the positive wire to red wire and the negative wire to black wire.
6. Align the holes in the base (1B) with the gasket (7C) and junction box (0A) holes. Install screws (9D) (qty 4, #10-24) in place and tighten to approx. 12-15 in\*lbs.
7. Slide the lens gasket (7A) and lens (1A) into the lens ring (5A) and attach to the base (1B) using screws (9A) (qty 4, #10-24) and tighten to approx. 12-15 in\*lbs.

#### STROBE MODULE REPLACEMENT (4A)

1. Remove the 4 screws (9A), lens ring (5A), lens gasket (7A) and lens (1A).
2. Remove the 4 screws (9D) and disconnect both wires from incoming supply wires.
3. Remove Strobe module (4A) from base (1B) by removing the 3 screws (9E) on back of base.
4. (See illustration below) Take new strobe module. Remove printed circuit board assembly by depressing the two snaps tabs inside the housing and lift the board assembly (4C) upwards.
5. Feed supply wires (14 to 18AWG only) through base (1B) and large hole (4D) in bottom of strobe module housing.

6. Strip a maximum of 1/4" of wire insulation from ends of the power leads.

**WARNING** Be sure to observe polarity on the 12-48 VDC printed circuit board assembly. The terminals are designated by a "+" and "-" on the terminal block for the positive and negative supply leads, respectively.

7. Connect wires to the terminal block (4E) by inserting the stripped ends of the wires into connector as far as they can travel and tighten clamping screw to maximum 5 in\*lbs. Make sure power supply lead insulation is flush with connector.

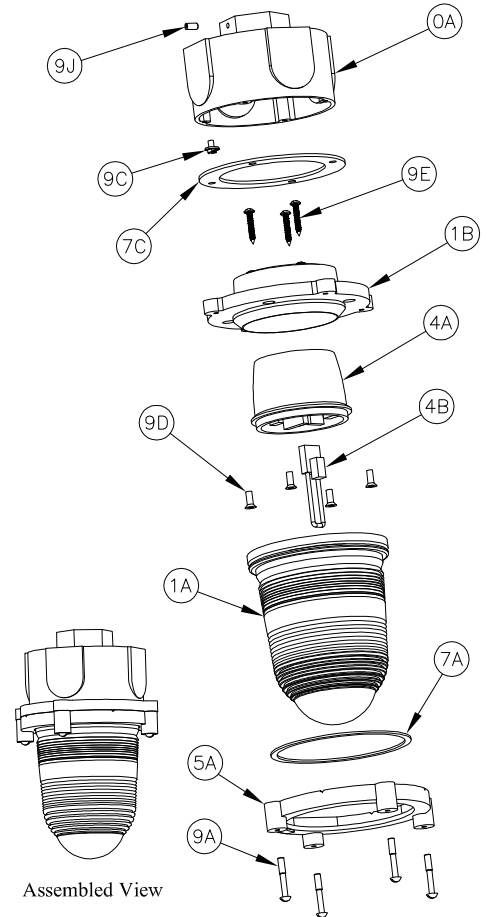
8. To reassemble, snap printed circuit board assembly into housing making sure that the board rests on its' mounting platforms. Take care not to pinch supply wires when insering board.

9. Assemble new strobe module to base (1B) using the 3 screws (9E) in step #3.

10. Reassemble base, lens, lens gasket and lens ring per installation steps #6 & #7 above.

#### LAMP REPLACEMENT (4B) (see note below)

1. Remove the 4 screws (9A), lens ring (5A), lens gasket (7A) and lens (1A).
2. Grasp the lamp by the base (4B) and pull it out of the socket, using a gentle "rocking" motion.
3. Insert new lamp.
4. Slide the lens gasket (7A) and lens (1A) into the lens ring (5A) and attach to the base (1B) using screws (9A) (qty 4, #10-24) and tighten to approx. 12-15 in\*lbs.



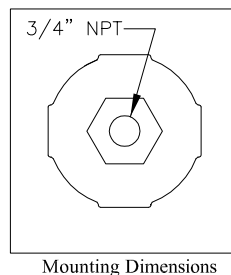
Spare Parts		
Item #	Description	Part Number
-	Gasket set	GKT1143
4B	Xenon Lamp	INX3724
4A	120v AC Strobe	INX3390
4A	240v AC Strobe	INX3391
4A	12v-48v DC Strobe	INX3392
2A	Guard	INX1004A or B**
1A	Lens	INX2058* see note

\*Add one of the following suffixes to the part number above to obtain the proper globe:

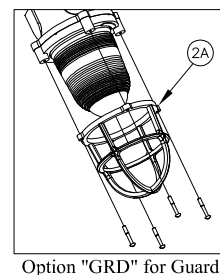
Clear - CLR      Red - RED      Blue - BLU

Green - GRN      Yellow - YEL

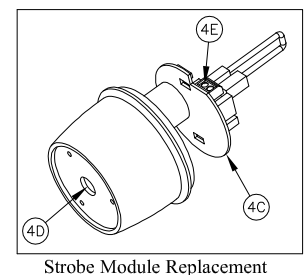
\*\*A = Aluminum    B = Brass



Mounting Dimensions



Option "GRD" for Guard



Strobe Module Replacement

Note: After extended operation, occasionally check for lamp tube degradation. Should the lamp misfire, have noticeable decrease in light output, glow continuously or darken, replacement is necessary.

All statements, technical information and recommendations contained herein are based on information and tests we believe to be reliable. The accuracy or completeness thereof are not guaranteed. In accordance with Crouse-Hinds "Terms and Conditions of Sale", and since conditions of use are outside our control, the purchaser should determine the suitability of the product for his intended use and assumes all risk and liability whatsoever in connection therewith.