

1157D2 SERIES INCANDESCENT LUMINAIRES

Installation & Maintenance Information

IF LBL1282

SAVE THESE INSTRUCTIONS FOR FUTURE REFERENCE

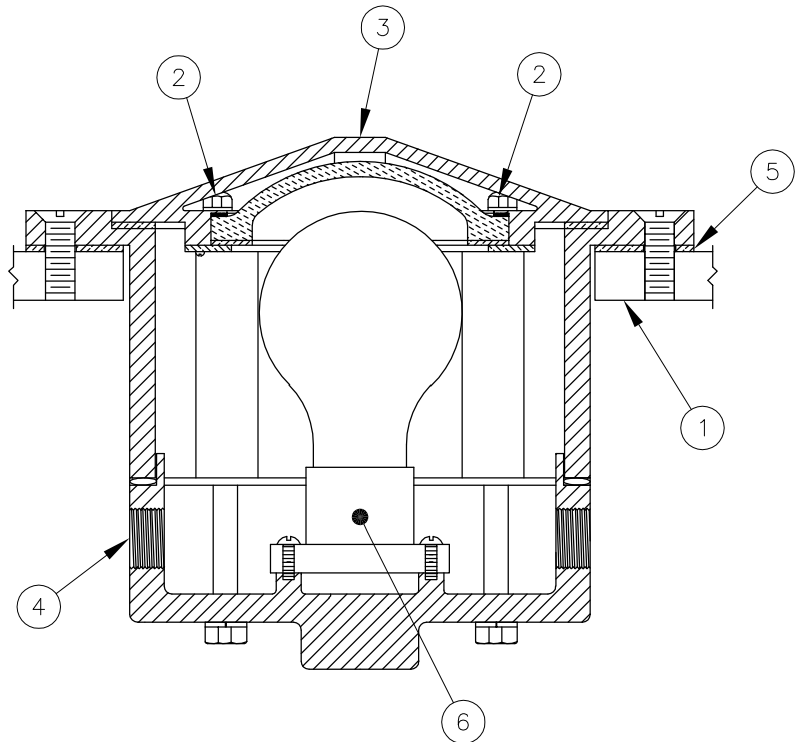
⚠ CAUTION Read carefully before installing and wiring the luminaire. These instructions include information for installation in both hazardous and marine locations. Any warning or special instructions should be closely followed. Marine installations on boats should be done in accordance with the regulations of the USCG, CFR46, SUB CHAPTER J, PARTS 110-113. Hazardous area installations should be done in accordance with article 500 and 501 of the NEC.

Must be installed in accordance with the NEC (National Electrical Code) and all other applicable codes. All luminaires must be properly grounded. To reduce the risk of fire or explosion, do not install where the marked operating temperature exceeds the ignition temperature of the hazardous atmosphere. Disconnect the fixture from the supply circuit before opening. Keep tightly closed when in operation. These luminaires are provided with two 3/4" NPT outlets and one plug. Do not attempt to install this luminaire unless you are familiar with warnings, cautions and procedures outlined in this information sheet.

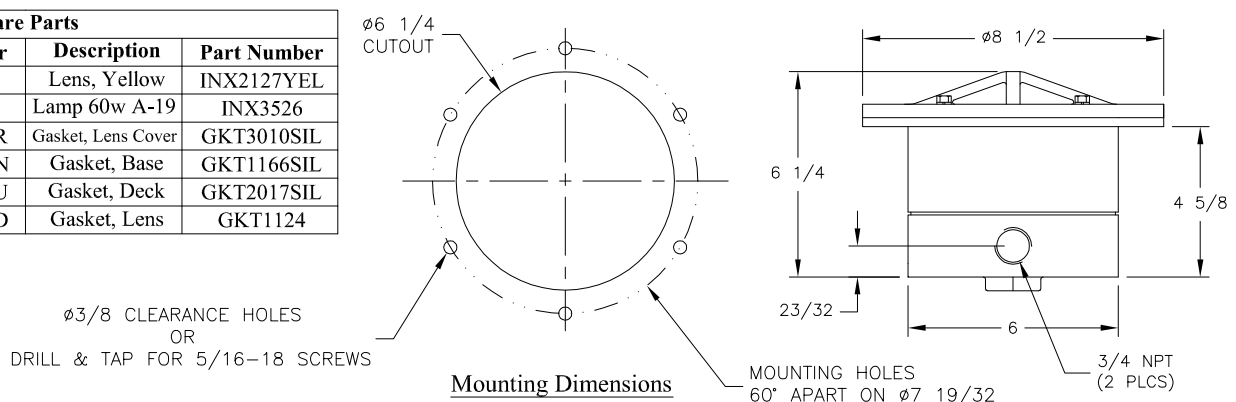
INSTALLATION & ELECTRICAL WIRING

⚠ WARNING Risk of electrical shock hazard, only qualified personnel should conduct this procedure! Do not make electrical connections with the power ON. Use cu or cu clad wire only, rated for 125°C. To reduce risk of ignition of hazardous atmospheres, 3/4 inch conduit runs must have a sealing fitting installed at conduit entry.

1. Cut a 6-1/4" diameter hole through deck (1) in desired mounting location.
2. Drill 6x, 3/8" diameter clearance hole or drill & tap for 5/16-18 flat head bolts (not provided). See mounting dimensions below.
3. Loosen and remove lens cover bolts (2) (qty 4x, 1/4-20).
4. Remove lens cover (3).
5. Install cable gland(s) (not provided) into 3/4" NPT outlet (4) and assure a proper seal as per the manufacturers instructions.
6. Strip the supply cable(s) jacket (not provided) back approximately 2".
7. Route cable thru the gland and tighten as per the manufacturers instructions to create a proper seal on the cable.
8. Attach ground wire to the green screw or connect to green wire.
9. Strip the insulation of the supply wires back approximately 3/8".
10. Connect incoming black lead to bronze screw terminal on lampholder (6) base.
11. Connect incoming white lead to opposite screw terminal on lampholder (6) base.
12. Place deck gasket (5) onto deck.
13. Place fixture over deck gasket (5) through cutout in deck.
14. Mount fixture with (6x) minimum 5/16" bolts (not provided).
15. **⚠ CAUTION** Relamp with Type A-19 lamp only, maximum 60 Watt. Exceeding this can cause over heating, premature failure and be dangerous. The lampholder is rated for a maximum of 250 volts. The voltage of the lamp must correspond with the supply voltage.
15. Install the proper type and wattage lamp (not provided) into the lampholder (6), making sure the center contact of the lamp seats well into the lampholder.
16. Replace lens cover (3) and tighten 1/4" bolts (2), 4x to approximately 18-20 in*lbs.



Spare Parts			
Description	Part Number	Description	Part Number
Lampholder	INX4034	Lens, Yellow	INX2127YEL
Guard	INX1051B	Lamp 60w A-19	INX3526
Lens, Clear	INX2127CLR	Gasket, Lens Cover	GKT3010SIL
Lens, Green	INX2127GRN	Gasket, Base	GKT1166SIL
Lens, Blue	INX2127BLU	Gasket, Deck	GKT2017SIL
Lens, Red	INX2127RED	Gasket, Lens	GKT1124



All statements, technical information and recommendations contained herein are based on information and tests we believe to be reliable. The accuracy or completeness thereof are not guaranteed. In accordance with Crouse-Hinds "Terms and Conditions of Sale", and since conditions of use are outside our control, the purchaser should determine the suitability of the product for his intended use and assumes all risk and liability whatsoever in connection therewith.