

# 1158 SERIES INCANDESCENT LUMINAIRES

## Installation & Maintenance Information

IF LBL1432

### SAVE THESE INSTRUCTIONS FOR FUTURE REFERENCE

**CAUTION** Read carefully before installing and wiring the luminaire. These instructions include information for installation in both hazardous and marine locations. Any warning or special instructions should be closely followed. Marine installations on boats should be done in accordance with the regulations of the USCG, CFR46, SUB CHAPTER J, PARTS 110-113. Hazardous area installations should be done in accordance with article 500 and 501 of the NEC. Intended for vertical mounting. Check the ratings to insure suitability for the area. Suitable for mounting base up or down.

Must be installed in accordance with the NEC (National Electrical Code) and all other applicable codes. All luminaires must be properly grounded. To reduce the risk of fire or explosion, do not install where the marked operating temperature exceeds the ignition temperature of the hazardous atmosphere. Disconnect the fixture from the supply circuit before opening. Keep tightly closed when in operation. These luminaires are provided with one 3/4" NPT outlet. Other drilling and tapping options also available. Do not attempt to install this luminaire unless you are familiar with warnings, cautions and procedures outlined in this information sheet.

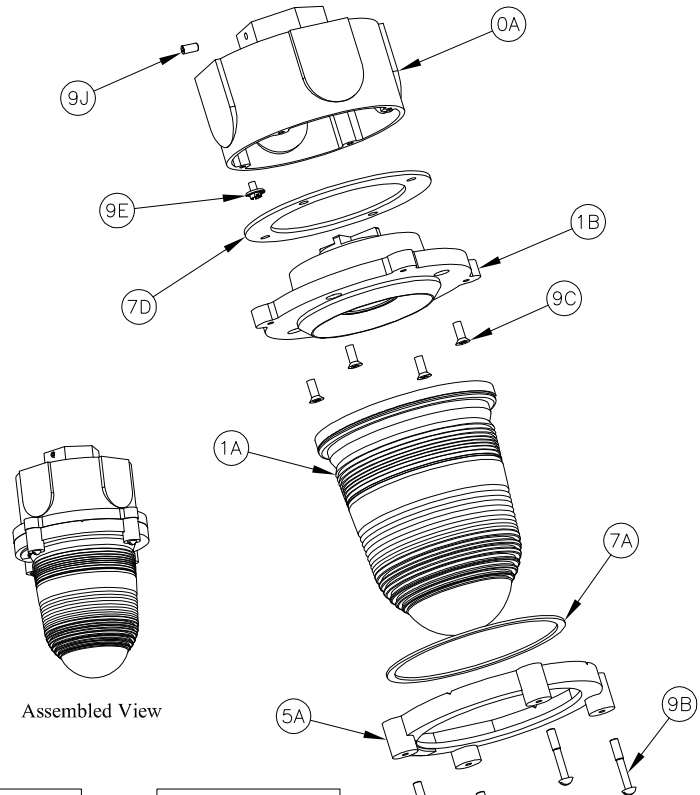
### INSTALLATION & ELECTRICAL WIRING

**WARNING** Risk of electrical shock hazard, only qualified personnel should conduct this procedure! Do not make electrical connections with the power ON. Use cu or cu clad wire only. See product label for wire rating.

1. Install conduit or fitting (not provided) into the junction box (0A), tighten to assure a proper seal and lock in position with set screw (9J).
2. Route supply cable thru conduit or fitting.
3. Strip the supply cable(s) jacket (not provided) back approximately 3".
4. Strip the insulation of the supply wires back approximately 3/8".
5. Attach ground wire to the green screw (9E) in junction box (0A).
6. On the back of the lampholder base (1B), connect the black hot lead(s) to the dark colored screws contacts, connect the white neutral lead(s) to the light colored screw contacts. Tighten screws to approximately 8-10 in\*lbs.
7. Align the holes in the base (1B) with the gasket (7D) and junction box (0A) holes. Install screws (9C) (qty 4, #10-24) in place and tighten to approx. 12-15 in\*lbs.

**CAUTION** Note maximum lamp wattage rating as indicated on the luminaire. Exceeding this can cause over heating, premature failure and be dangerous. The lampholder is rated for a maximum of 600 volts. The voltage of the lamp must correspond with the supply voltage.

8. Install the proper wattage lamp (not provided) into the lampholder, making sure the center contact of the lamp seats well into the lampholder.
9. Slide the lens gasket (7A) and lens (1A) into the lens ring (5A) and attach to the base (1B) using screws (9B) and tighten to approx. 12-15 in\*lbs.



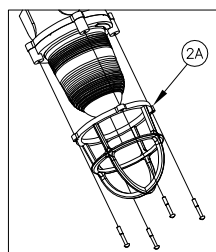
Assembled View

Spare Parts		
Item #	Description	Part Number
-	Gasket set	GKT1143
-	Lampholder	INX4000
2A	Guard	INX1004A or B**
1A	Lens	INX2058* see note

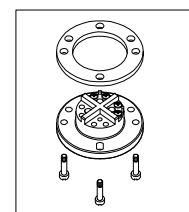
\*Add one of the following suffixes to the part number above to obtain the proper globe:

Clear - CLR    Red - RED    Blue - BLU  
Green - GRN    Yellow - YEL

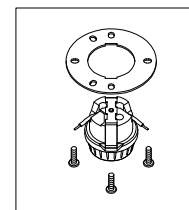
\*\*A = Aluminum    B = Brass



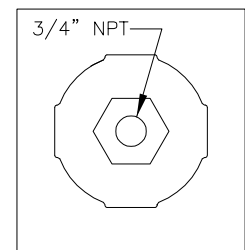
Option "GRD" for Guard



Option "SP" for shock proof lamp holder



Option "P" for porcelain lampholder



Mounting Dimensions

All statements, technical information and recommendations contained herein are based on information and tests we believe to be reliable. The accuracy or completeness thereof are not guaranteed. In accordance with Crouse-Hinds "Terms and Conditions of Sale", and since conditions of use are outside our control, the purchaser should determine the suitability of the product for his intended use and assumes all risk and liability whatsoever in connection therewith.