

RADIA SERIES FLUORESCENT LUMINAIRES

Door Frame Gasket Replacement Information

IF LBL1536

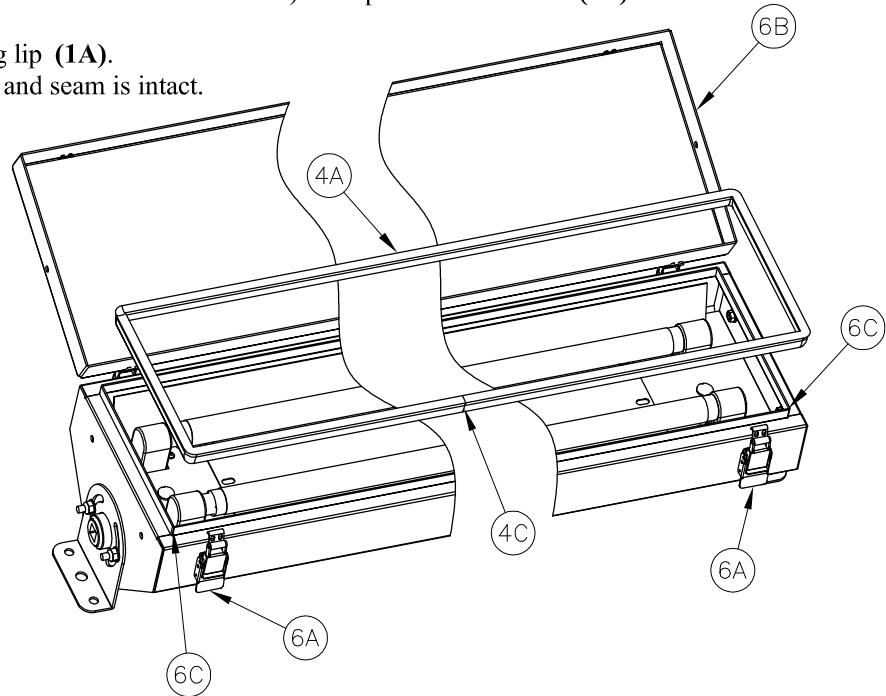
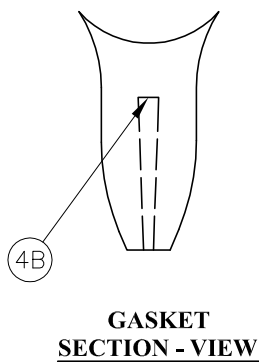
SAVE THESE INSTRUCTIONS FOR FUTURE REFERENCE

CAUTION Read carefully before replacing gasket.

These instructions only include information for door frame gasket replacement. Use only replacement parts provided by PAULUHN. Before replacing gasket read fixture installation and maintenance instructions included with fixture.

WARNING Risk of electrical shock hazard, only qualified personnel should conduct this procedure! Disconnect supply circuit at least 30 minutes before opening fixture for servicing and/or re-lamping.

1. Release all lens frame latches (6A) (4x - 2ft fixture or 6x - 4ft fixture) and open the lens frame (6B).
2. Remove damage gasket (4A).
3. Remove any remaining silicone on housing lip (1A).
4. Make sure new gasket (4A) is not damage and seam is intact.

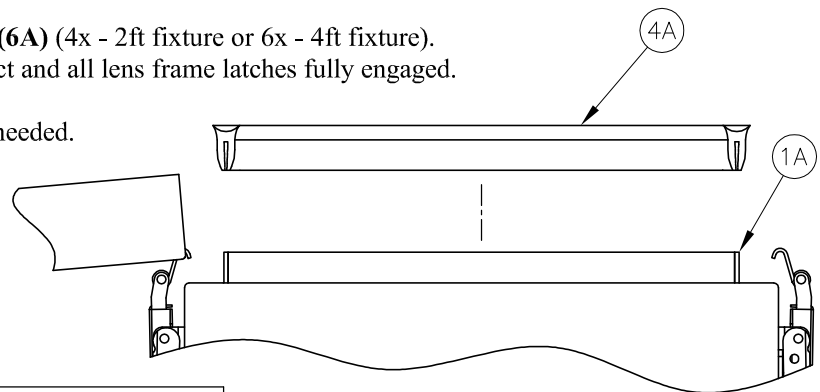


5. Apply a continuous bead of silicone deep inside gasket groove (4B).
6. Orient gasket (4A) so that seam (4C) will be on the center of long side, away from corners (6C).
7. Insert gasket (4A) onto housing lip (1A).
8. Press-in all around and verify that all corners (6C) are properly inserted.
9. Clean excess silicone sealant with a wet cloth.
10. Remove any debris on reflector or inside of fixture.
11. Close lens frame and engage all lens frame latches (6A) (4x - 2ft fixture or 6x - 4ft fixture).

WARNING Product must be used only with lens intact and all lens frame latches fully engaged.

Replace cracked or damaged lens prior to use.

12. Power can be immediately restored, no cure time is needed.



Spare Parts		
Description	2 Feet	4 Feet
Door Frame Gasket	GKT6088-69.5	GKT6088-117.5
Flat Lens, Polycarbonate	FX2134	FX2135
Drop Lens, Polycarbonate	FX2136	FX2137

All statements, technical information and recommendations contained herein are based on information and tests we believe to be reliable. The accuracy or completeness thereof are not guaranteed. In accordance with Crouse-Hinds "Terms and Conditions of Sale", and since conditions of use are outside our control, the purchaser should determine the suitability of the product for his intended use and assumes all risk and liability whatsoever in connection therewith.