

# RADIA / DROP LENS SERIES LINEAR FLUORESCENT LUMINAIRES

## Installation & Maintenance Information

### SAVE THESE INSTRUCTIONS FOR FUTURE REFERENCE

**⚠ CAUTION** Read carefully before installing and wiring the luminaire.

These instructions include information for installation in both hazardous and standard locations. Any warning or special instructions should be closely followed. Hazardous area installations should be done in accordance with article 500 and 501 of the NEC. Check the ratings to insure suitability for the area. Must be installed in accordance with the NEC (National Electrical Code) or CEC (Canadian Electrical Code) and all other applicable codes. All luminaires must be properly grounded.

To reduce the risk of fire or explosion, do not install where the marked operating temperature exceeds the ignition temperature of the hazardous atmosphere. Disconnect the fixture from the supply circuit before opening. Keep tightly closed when in operation. Do not attempt to install this luminaire unless you are familiar with warnings, cautions and procedures outlined in this information sheet. These luminaires are provided with two 3/4" NPT outlet as standard.

### INSTALLATION & ELECTRICAL WIRING

**⚠ WARNING** Risk of electrical shock hazard, only qualified personnel should conduct this procedure! Do not make electrical connections with the power ON. Disconnect supply circuit at least 30 minutes before opening fixture for servicing and/or re-lamping. Refer to fixture nameplate for minimum supply wire rating. See Emergency Battery Backup Ballast Instructions for fixture with EM option.

1. Mount the fixture (5A) by the four (4x) 3/8" holes (5B) using four (4x) 1/4" minimum diameter bolts (not provided). Select proper anchor and surface to support up to 50 lbs. See mounting dimensions illustration below.
2. Attach threaded fitting to the 3/4" NPT coupling (5C). Fitting must be sufficiently tightened to produce a vapor-tight seal.
3. Release all lens frame latches (6A) (4x - 2ft fixture or 6x - 4ft fixture) and open the lens frame (6B). Avoid damaging the sealing gasket during installation and/or servicing.
4. Remove screws (7A, qty 4x), washers (7B, qty 4x) and reflector (8A).
5. Route supply cable thru fitting.
6. Strip the supply cable(s) jacket (not provided) back.
7. Strip the insulation of the supply wires.

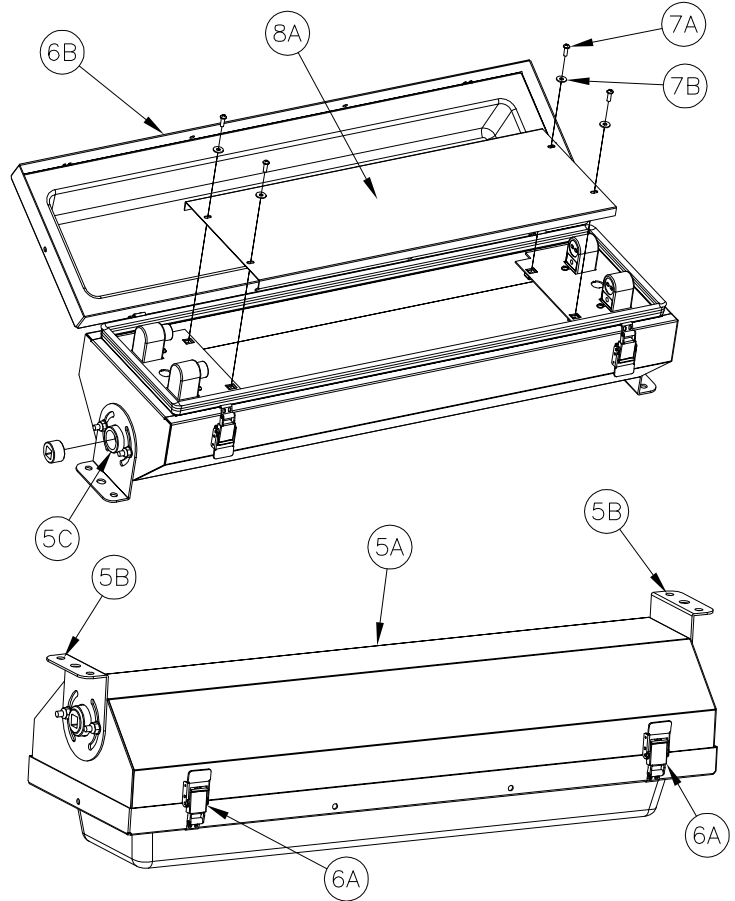
**⚠ WARNING** See nameplate for voltage & frequency requirements! See separate instruction sheets for fixture with optional emergency battery backup ballast. Fixtures may be provided with multi-voltage ballast, 120-277 vac 50/60Hz.

8. Connect L1 or hot lead to black wire. Connect L2 or neutral to the common white wire. Connect ground wire to green ground wire.
9. Pull excess supply wire out of housing and tighten fitting to supply cable.
10. Reinstall reflector (8A) with screws (7A, qty 4x) and washers (7B, qty 4x).

**⚠ WARNING** Verify that the fluorescent lamps complies with lamp specifications on fixture nameplate.

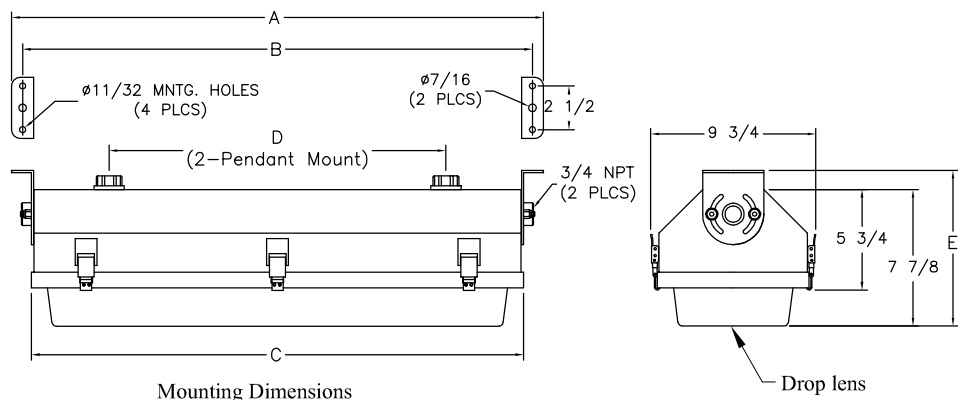
11. Install the proper type & wattage lamps (not provided) into the lamp holder and rotate 90 degrees to lock into place, or simply depress spring loaded lamp holder.
12. Close lens frame and engage all lens frame latches (6A) (4x - 2ft fixture or 6x - 4ft fixture).

**⚠ WARNING** Product must be used only with lens intact and all lens frame screws fully engaged. Replace cracked or damaged lens prior to use.



Mounting Dimensions				
Fixture	A	B	C	D
2 Foot	31.5"	30.25"	29.25"	25.88"
4 Foot	55.5"	54.25"	53.25"	36"

Mounts	E - Drop Lens
0 - Standard / End Mounting	9"
1 - Surface / End Mounting	7.88"



All statements, technical information and recommendations contained herein are based on information and tests we believe to be reliable. The accuracy or completeness thereof are not guaranteed. In accordance with Crouse-Hinds "Terms and Conditions of Sale", and since conditions of use are outside our control, the purchaser should determine the suitability of the product for his intended use and assumes all risk and liability whatsoever in connection therewith.