

Lens Replacement Information

IF LBL1482

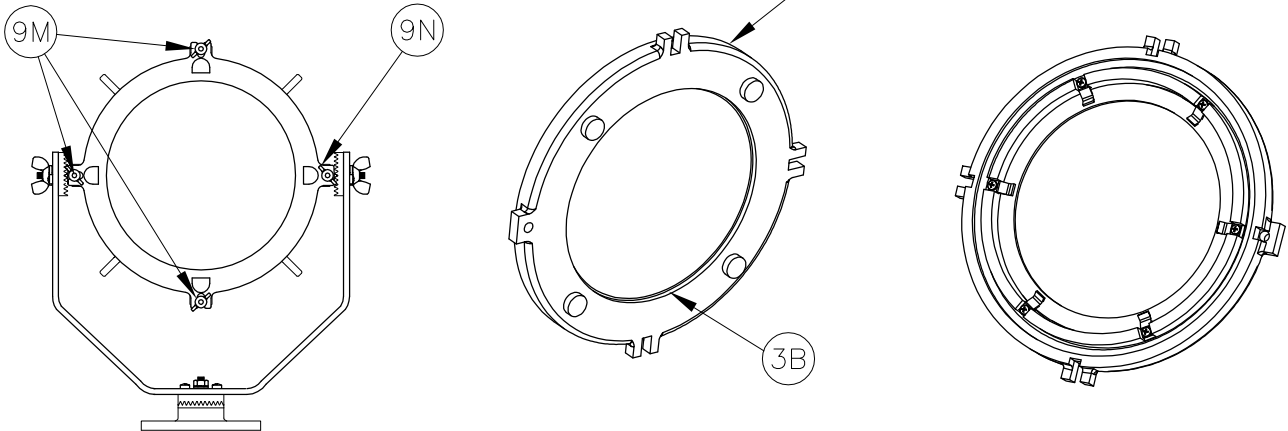
SAVE THESE INSTRUCTIONS FOR FUTURE REFERENCE

CAUTION Read carefully before replacing lens.

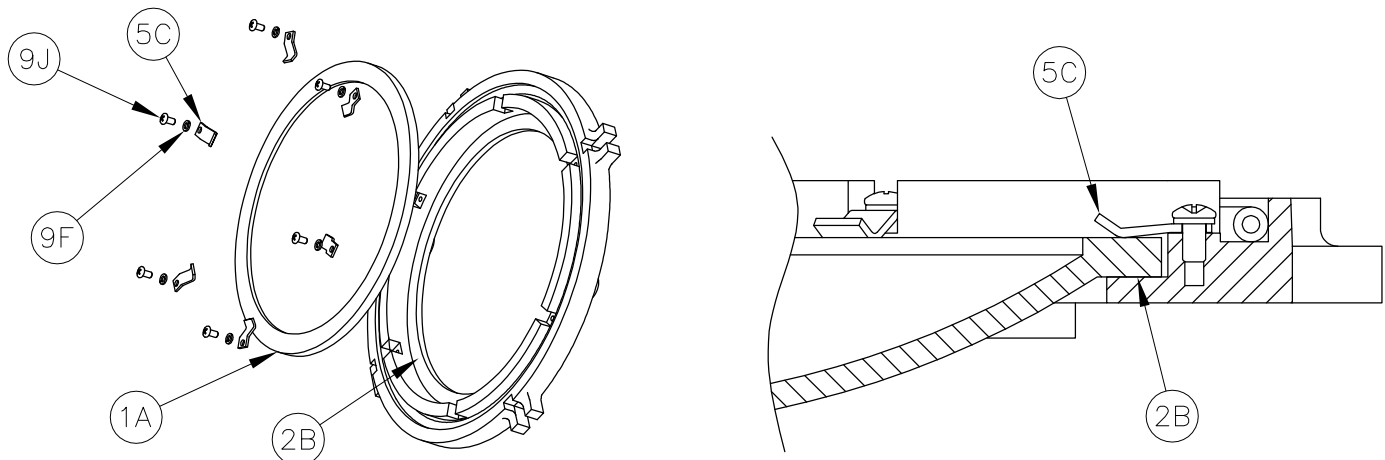
These instructions only include information for lens replacement. Use only replacement parts provided by PAULUHN. Before replacing lens read fixture installation and maintenance instructions included with fixture.

WARNING Risk of electrical shock hazard, only qualified personnel should conduct this procedure! Do not open fixture with the power ON. Disconnect supply circuit at least 30 minutes before opening fixture.

1. Loosen wing nuts 3x, (9M) and rotate stud to disengage lens frame.
2. Loosen and remove wing nut and washers (9N).
3. Remove lens frame assembly (1B).



4. Loosen and remove 6x, screws (9J), lock washers (9F) and lens clips (5C).
5. Remove broken or damaged lens (1A).
6. Remove and clean remaining silicone sealant from frame surface (2B).
7. Apply a generous and continuous bead of silicone sealant on surface (2B).
8. Install lens (1A) with dome facing outward.
9. Reassemble lens clips (5C) in proper orientation (see illustration) using screws (9J) and lock washers (9F).
10. Clean excess silicone sealant with a wet cloth on front surface (3B).
11. Reassemble lens frame assembly (1B) to housing and tighten each wing nuts (9M) and (9N).



Spare Parts

Description	Part Number
Lens	INX2143
Lens and Frame assembly - Brass	INX9037B
Lens and Frame assembly - Aluminum	INX9037A
Frame Gasket	GKT6095

All statements, technical information and recommendations contained herein are based on information and tests we believe to be reliable. The accuracy or completeness thereof are not guaranteed. In accordance with Crouse-Hinds "Terms and Conditions of Sale", and since conditions of use are outside our control, the purchaser should determine the suitability of the product for his intended use and assumes all risk and liability whatsoever in connection therewith.