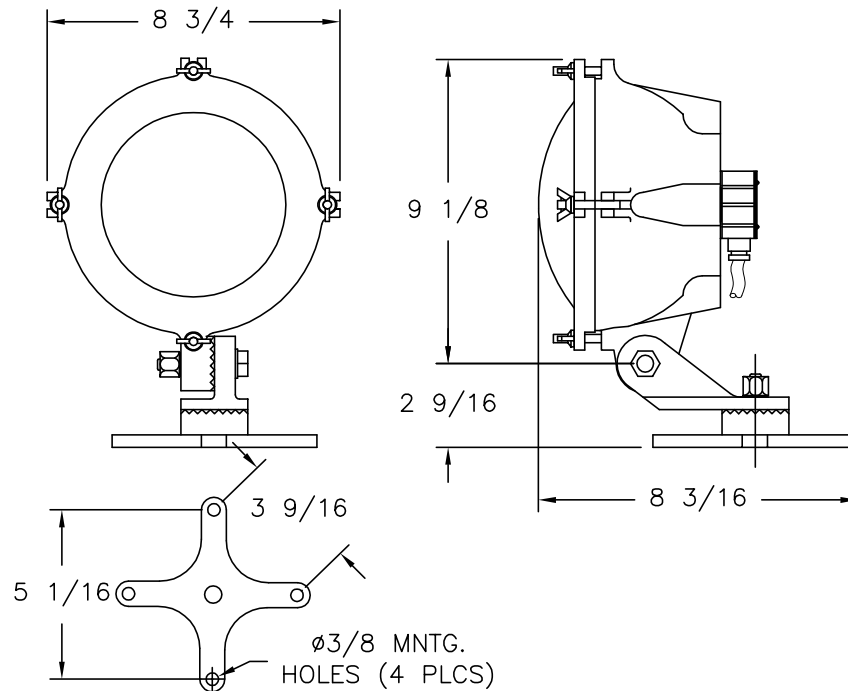


740 Series ProSpot Incandescent Luminaires

Installation Instructions

SAVE THESE INSTRUCTIONS FOR FUTURE REFERENCE



Important

Read carefully before installing and wiring fixture and retain for future reference.

Check the label rating to insure the fixture is suitable for the environment & supply.

The fixture should be installed in accordance with the National Electrical Code and any other codes having jurisdiction over the installation area. All fixtures must be properly grounded.

Warning- All electrical wiring should be done by qualified electricians only.

Tools Required:

1. Wrenches for mounting fasteners and cable gland
2. Wire strippers/cutters
3. Screwdriver
4. Others, depending on mounting method chosen.
5. 3/4" wrench to adjust aiming position

To Install:

- On a solid and stable surface, mark and prepare it to accept the light fixture using the mounting hole dimensions shown above.
- Using 5/16-inch minimum diameter fasteners (Qty. 4 not provided), mount the fixture base to the prepared surface. Fasteners should include washers and lock washers or locknuts to eliminate loosening during vibration. Make sure that the fasteners are corrosion resistant, if necessary. Securely tighten the mounting fasteners.
- Install the free end of the supplied power cable into an approved and appropriate junction box. Apply power.

To Aim:

- Vertically - Loosen the side locking bolt (A), aim to desired vertical angle, and securely tighten side bolt.
- Horizontally - Loosen the center fastener (B), rotate to desired horizontal angle and securely tighten the fastener.

All statements, technical information and recommendations contained herein are based on information and tests we believe to be reliable. The accuracy or completeness thereof are not guaranteed. In accordance with Crouse-Hinds "Terms and Conditions of Sale", and since conditions of use are outside our control, the purchaser should determine the suitability of the product for his intended use and assumes all risk and liability whatsoever in connection therewith.