

FEPR2-EM SERIES FLUORESCENT LUMINAIRES

Installation & Maintenance Information

SAVE THESE INSTRUCTIONS FOR FUTURE REFERENCE

CAUTION Read carefully before installing and wiring the luminaire.

These instructions include information for installation in both hazardous and marine locations. Any warning or special instructions should be closely followed. Marine installations on boats should be done in accordance with the regulations of the USCG, CFR46, SUB CHAPTER J, PARTS 110-113. Hazardous area installations should be done in accordance with article 500 and 501 of the NEC. Check the ratings to insure suitability for the area. Must be installed in accordance with the NEC (National Electrical Code) and or CEC (Canadian Electrical Code) and all other applicable codes. All luminaires must be properly grounded. To Reduce the risk of fire or explosion, do not install where the marked operating temperature exceeds the ignition temperature of the hazardous atmosphere.

INSTALLATION & ELECTRICAL WIRING

WARNING Risk of electrical shock hazard, only qualified personnel should conduct this procedure! Do not make electrical connections with the power ON. Refer to fixture nameplate for minimum supply wire rating.

1. Define mounting method, direct mount to 3/8" mounting holes or use beam clamp provided. This fixture is extremely heavy and must be mounted to a surface that can structurally support 100 lbs.

2. Loosen screws (9D) to adjust position of brackets (6A) along tubing (1D). Position brackets (6A) and tighten screws (9D). See mounting dimensions table below.

NOTE: If fixtures are mounted in-line at distance less than dimension "B", tilt mount brackets (TLT) options are required for re-lamping.

CAUTION Keep fixture as horizontal as possible while mounting. Do not let fixture hang on one end at any time.

3. Direct mount: Drill clearance hole thru mounting surface for 3/8" bolts provided. Remove beam clamp from brackets (6A). Mount fixture using 3/8" bolts and nuts (9B).

4. Clamp mount: Slide beam clamps over beam and tighten setscrew (9C).

5. Remove plastic cap (8P).

6. Unscrew all bolts (9E) (qty 22x, 5/16"-18) from large ballast box cover (1B).

7. Slide fitting (not provided) over supply cable (not provided). Strip the supply cable jacket back approximately 2".

WARNING To prevent high voltage on red and yellow output leads prior to installation, battery connector must be open. Make sure the necessary branch circuit wiring is available. An unswitched source of power is required. The battery backup ballast (EM) must be fed from the same branch circuit as the AC ballast (L1).

CAUTION See nameplate for voltage & frequency requirements!

8. Connect L1 or hot lead to the black (L1) wire for AC ballast. Connect emergency power source to the red (EM) wire for the emergency ballast. Connect L2 or neutral to the common white wire. Connect ground wire to green ground wire. Place each wire and connections inside ballast box. See wiring diagram illustration below.

9. Join the battery connector.

10. Install fitting into ballast box (0B) per manufacturers instructions.

11. Close ballast box cover (1B) and retighten each bolt (9E) to minimum 15 ft*lbs.

NOTE: For long-term testing of the emergency function, the emergency ballast must be charged for at least 24 hours.

LAMP REPLACEMENT

WARNING Disconnect fixture from supply circuit before removing end caps (1C). Do not re-energize until end caps are re-installed.

Use only lamp size, type and/or wattage as shown on fixture nameplate.

1. Loosen and remove end cap (1C) by turning counter-clockwise.

2. Loosen the screws (9H) (qty 2, #6-32) or depress the retaining clips.

3. Rotate and pull out lampholder bracket (6D). Remove lamp (4A).

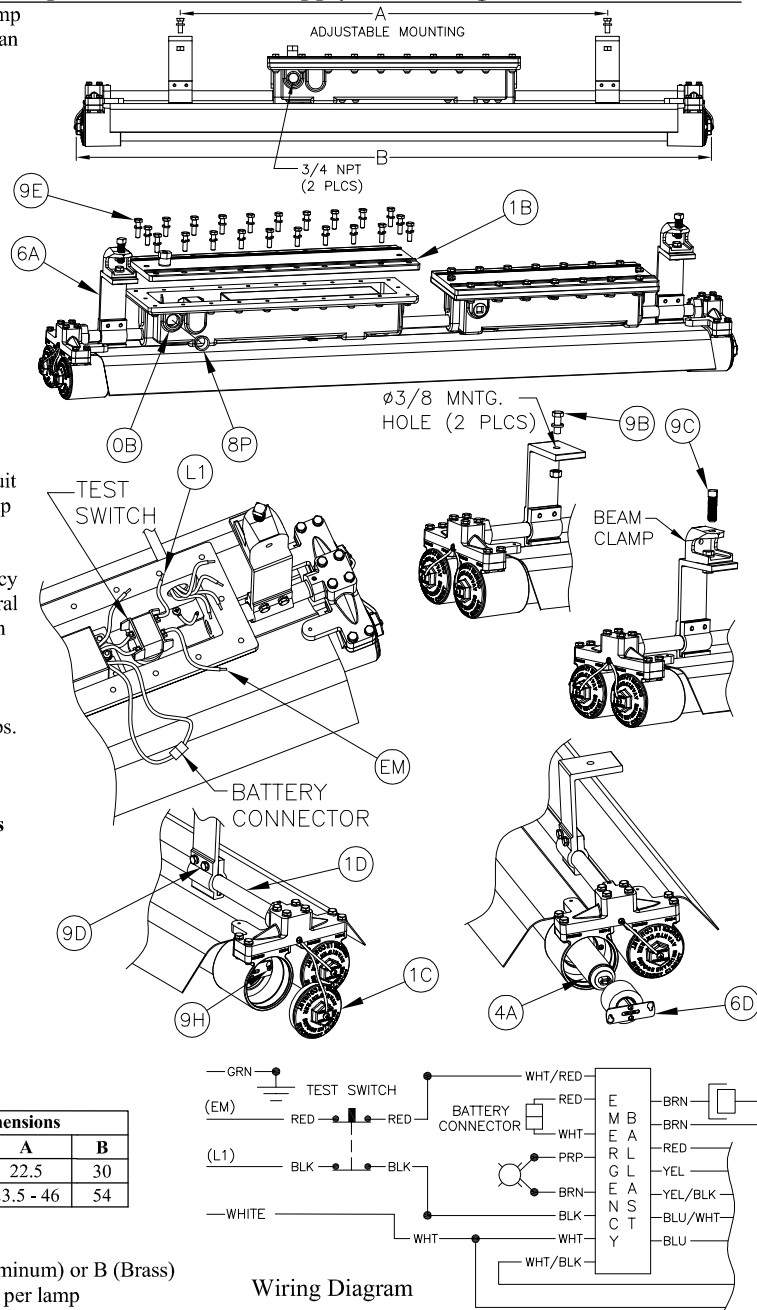
4. Slide new lamp (4A) into glass tube and engage to lampholder at opposite end.

5. Replace lampholder bracket (6D) and tighten screws (9H) (qty 2, #6-32) or engage clips.

6. Replace end cap (1C).

CAUTION When replacing end cap, make sure that there are no protruding wires that can be pinched.

Do not attempt to install this luminaire unless you are familiar with warnings, cautions and procedures outlined in this information sheet. Product must be used only with glass tubes intact and all caps threads fully engaged. Do NOT use if glass tubes are cracked or damaged. FEPR fixtures are intended for horizontal mounting by clamps or direct to cross members. Adjustable L brackets allow mounting straight down. Do not exceed 45° from horizontal straight down for applications in Class II Div 1 Groups E,F, & G. Disconnect both normal (L1) and emergency power (EM) supplies and battery connector of the emergency ballast before servicing. Keep tightly closed when in operation. Do not attempt to service the battery. A sealed no maintenance battery is used that is not field replaceable. Contact factory for information on service.



Spare Parts	
Description	Part Number
17w Globe Assembly	FX9012A/B-17
20w Globe Assembly	FX9012A/B-20
32w Globe Assembly	FX9014A/B-32
40w Globe Assembly	FX9014A/B-40
17w,20w,32w & 40w Lampholder	FX4012A/B

Mounting Dimensions		
Wattage	A	B
17w, 20w	22.5	30
32w, 40w	23.5 - 46	54

Notes: A/B = A (Aluminum) or B (Brass)
 Lampholder - order 2 per lamp

All statements, technical information and recommendations contained herein are based on information and tests we believe to be reliable. The accuracy or completeness thereof are not guaranteed. In accordance with Crouse-Hinds "Terms and Conditions of Sale", and since conditions of use are outside our control, the purchaser should determine the suitability of the product for his intended use and assumes all risk and liability whatsoever in connection therewith.