

# NHID-1000, REMOTE BALLAST, GOLIATH SERIES HID LUMINAIRES Installation & Maintenance Information



## SAVE THESE INSTRUCTIONS FOR FUTURE REFERENCE

**CAUTION** Read carefully before installing and wiring the luminaire. These instructions include information for installation on both hazardous and marine locations. Any warning or special instructions should be closely followed. Marine installations on boats should be done in accordance with the regulations of the USCG, CFR46, SUB CHAPTER J, PARTS 110-113. Hazardous area installations should be done in accordance with article 500 and 501 of the NEC. Check the ratings to insure suitability for the area.

### INSTALLATION & ELECTRICAL WIRING

**WARNING** Risk of electrical shock hazard, only qualified personnel should conduct this procedure! Do not make electrical connections with the power ON. Disconnect supply circuit at least 30 minutes before opening fixture for servicing and/or re-lamping. Refer to ballast box and fixture nameplate for minimum supply wire rating. Maximum distance from ballast box to fixture is 50ft for PSMH, 75ft for MH & MV, Minimum 14 awg wire is recommended between ballast box and fixture.

1. Mount ballast box using minimum four 3/8" diameter bolts (not provided).
2. Unlatch all four (4) cover latches (5B) and open cover (6B).

**NOTE:** Ballast boxes are provided with two (2) 1/2" NPT coupling and two (2) cable fitting. Use only .500"-.562" diameter cable for proper seal. Fitting must be sufficiently tightened to produce a vapor-tight seal.

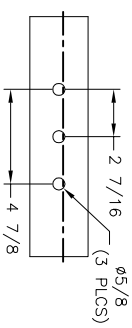
3. Route supply cable thru one fitting.
4. Strip the supply cable(s) jacket (not provided) back approximately 3".
5. Strip the insulation of the supply wires back approximately 3/8".

**WARNING** See nameplate for voltage & frequency requirements! Ballast boxes may be provided with multi-voltage ballast (120/208/240/277) vac 60Hz. Unless otherwise specified at time of order, ballast boxes are pre-wired for 120 vac. To change the voltage, remove the wire nut from the desired voltage lead. Make sure unused voltage leads ends are capped with wire nuts.

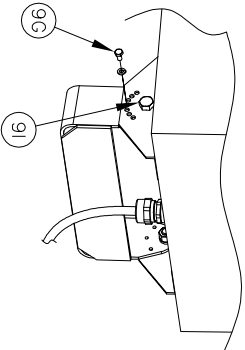
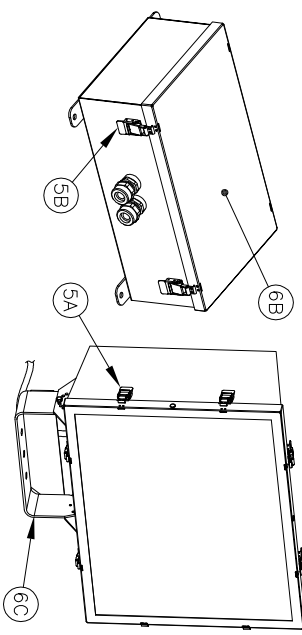
6. Connect L1 or hot lead to the desired voltage. Connect L2 or neutral to the ballast common yellow wire or white lead. Connect ground wire to green ground wire. See wiring diagram illustration below.
7. Pull excess supply wire out of ballast box and tighten cable fitting.



Ballast Box Mounting Dimensions

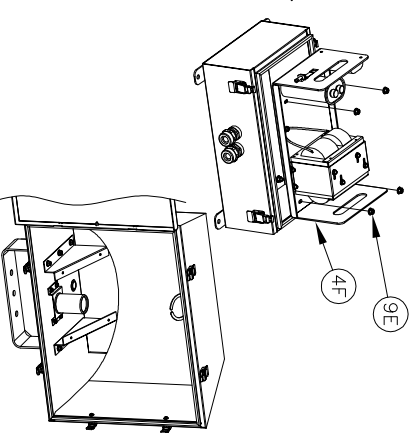
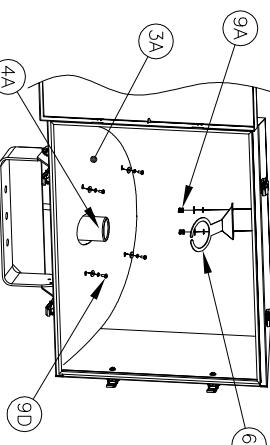
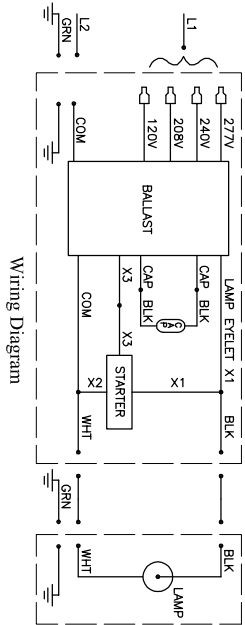


Fixture Mounting Dimensions



8. Mount the fixture by the "U"-shaped bracket (6C) supplied using minimum two 1/2" diameter bolts (not provided).
  9. Unlatch all eight (8) lens frame latches (5A) and open the lens frame.
  10. Remove screws (9D, qty 4x) and remove lower reflector (3A).
- NOTE:** Fixtures are supplied with 6 feet of 14/3 - 600VAC - SEGW cable (thermoplastic rubber jacket, oil resistant for outdoor use), one (1) 1/2" NPT coupling and one (1) cable fitting. Use only .500"-.562" diameter cable for proper seal. Fitting must be sufficiently tightened to produce a vapor-tight seal.
11. Route fixture cable between ballast box and fixture.
  12. Strip fixture cable jacket (not provided) back approximately 3" on each end and supply wires back 3/8" on each end.
  13. Connect fixture cable between ballast box and fixture. Black lead in ballast box to black lead in fixture. White lead in ballast box to white lead in fixture. Connect ground wire to green ground wire. See wiring diagram illustration below.
  14. Close ballast box cover (6B) and securely engage all four (4) latches (5B).
- WARNING** Verify that the H.I.D. lamp complies with lamp specifications on both ballast box and fixture nameplate.
15. Loosen wing nuts (9A) and remove lamp support bracket (6A).
  16. Install the proper wattage lamp (not provided) into the lampholder (4A), making sure the center contact of the lamp seats well into the lampholder.
  17. Replace lamp support bracket (6A) and tighten wing nuts (9A).
  18. Replace reflector (3A) using screws (9D).
  19. Close lens frame and securely engage all eight (8) lens frame latches (5A).
- WARNING** Product must be used only with lens intact and all lens frame latches fully engaged. Replace cracked or damaged lens prior to use.
20. Aim the fixture. Remove the position locator screws (9C) (qty 2x: 1/4-20).
  21. Loosen the two bolts (9I) holding the "U"-shaped bracket to the housing.
  22. Rotate the fixture to the desired direction and install both position locating screws (9C).
  23. Securely tighten the "U" bracket bolts (9I).
- CAUTION** Wall mount fixture must be oriented 90° from vertical or more from the wall. Do not aim fixture toward combustible surface. If aiming position must be readjusted, use caution, as external surfaces may become extremely hot.

Spare Parts	
Description	Part Number
Lens	INX2156
Lampholder	INX4004
Surface Mount Aluminum	INX7007A
Surface Mount Stainless Steel	INX7007SS
Pole Mount Aluminum	INX7006A
Pole Mount Stainless Steel	INX7006SS
Right Angled Mount	INX7058S



All statements, technical information and recommendations contained herein are based on information and tests we believe to be reliable. The accuracy or completeness thereof are not guaranteed. In accordance with Crouse-Hinds "Terms and Conditions of Sale", and since conditions of use are outside our control, the purchaser should determine the suitability of the product for his intended use and assumes all risk and liability whatsoever in connection therewith.