

POLE MOUNT BRACKET

Installation Information

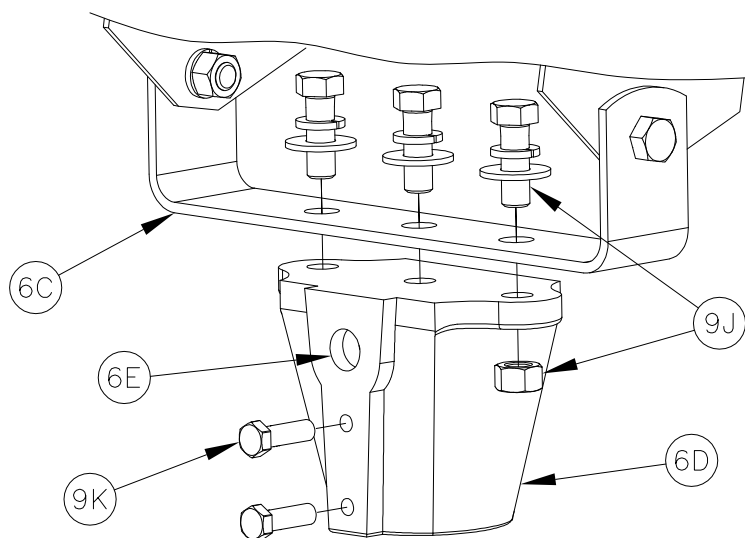
SAVE THESE INSTRUCTIONS FOR FUTURE REFERENCE

⚠ CAUTION Read carefully before installing mounting bracket.

These instructions only include information for installation of mounting bracket. Before installing mounting bracket read fixture installation and maintenance instructions included with fixture.

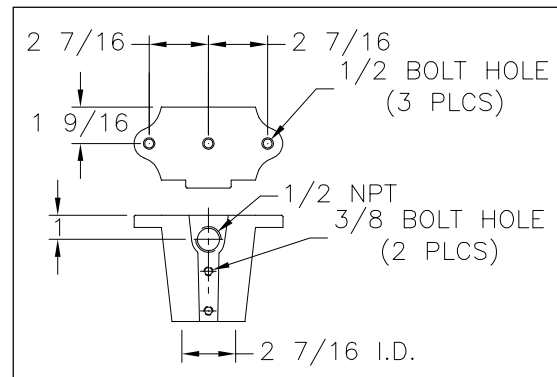
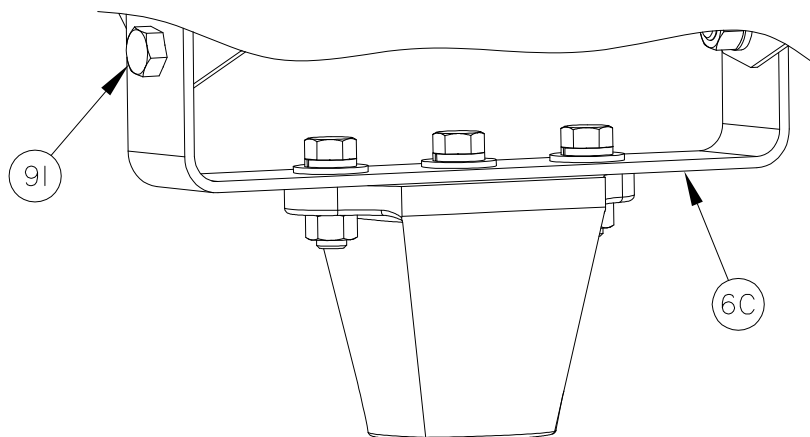
⚠ WARNING Risk of electrical shock hazard, only qualified personnel should conduct this procedure! Disconnect supply circuit before installing luminaire to mounting bracket.

1. Attach threaded fitting (not provided) to the 1/2" NPT hole (6E) in pole mount bracket. The fitting must be sufficiently tightened to produce a vapor-tight seal.
2. Route supply cable inside pole thru pole mount bracket (6D) and thru 1/2" fitting.
3. Slide pole mount bracket over pole (maximum shaft size: 2-7/16" outside diameter). Verify that supply cable is not pinch between pole and pole mount bracket. Align pole mount bracket in desired direction and tighten bolts (9K, qty 2x).
4. Assemble fixture 'U' bracket (6C) to pole mount bracket using the three 1/2" bolts, nuts and washers (9J, qty 3x) provided.



5. Aim the fixture. Loosen the two bolts (9I) holding the 'U' bracket (6C) to the fixture. Rotate the fixture to the desired direction and securely tighten the 'U' bracket bolts (9I).

⚠ WARNING If aiming position must be readjusted, use caution, as external surfaces may become extremely hot.



Mounting Dimensions

All statements, technical information and recommendations contained herein are based on information and tests we believe to be reliable. The accuracy or completeness thereof are not guaranteed. In accordance with Crouse-Hinds "Terms and Conditions of Sale", and since conditions of use are outside our control, the purchaser should determine the suitability of the product for his intended use and assumes all risk and liability whatsoever in connection therewith.