

SURFACE MOUNT BRACKET, ALUMINUM

Installation Information

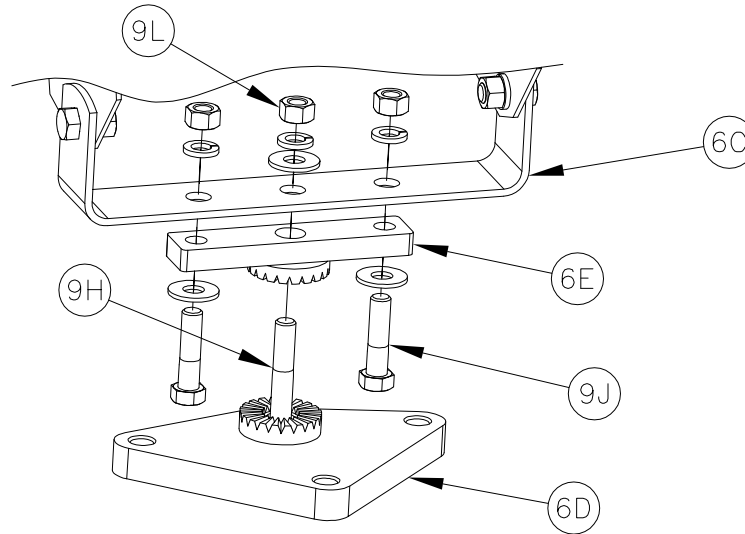
SAVE THESE INSTRUCTIONS FOR FUTURE REFERENCE

CAUTION Read carefully before installing mounting bracket.

These instructions only include information for installation of mounting bracket. Before installing mounting bracket read fixture installation and maintenance instructions included with fixture.

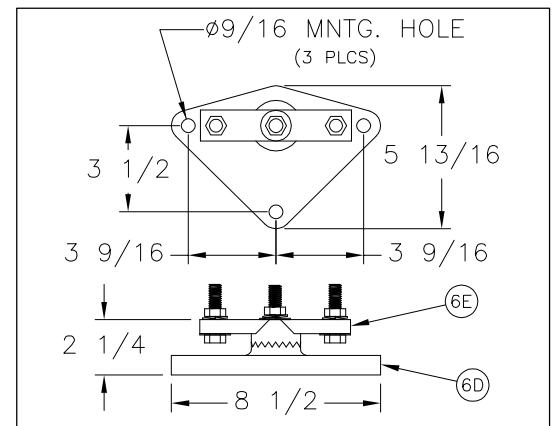
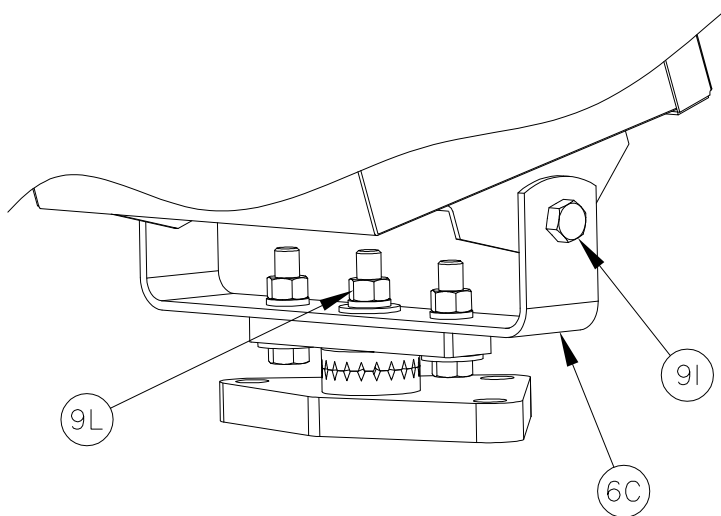
WARNING Risk of electrical shock hazard, only qualified personnel should conduct this procedure! Disconnect supply circuit before installing luminaire to mounting bracket.

1. Mount surface mount bracket (6D) using three 1/2" diameter bolts (not provided) per mounting dimensions illustration below. Making sure center bolt (9H) is thru the bracket (6D) before mounting. Select proper anchor and surface to support fixture weight.
2. Assemble bracket (6E) to fixture 'U' bracket (6C) using bolts (9J, qty 2x) nuts and washers provided.
3. Mount fixture with bracket (6E) to surface mount bracket (6D) and tighten nuts and washers (9L) provided to center bolt (9H).



4. Aim the fixture. Loosen the two bolts (9I) holding the 'U' bracket (6C) to the fixture. Loosen the nut (9L). Rotate the fixture to the desired direction and securely tighten the 'U' bracket bolts (9I) and nut (9L).

WARNING If aiming position must be readjusted, use caution, as external surfaces may become extremely hot.



Mounting Dimensions

All statements, technical information and recommendations contained herein are based on information and tests we believe to be reliable. The accuracy or completeness thereof are not guaranteed. In accordance with Crouse-Hinds "Terms and Conditions of Sale", and since conditions of use are outside our control, the purchaser should determine the suitability of the product for his intended use and assumes all risk and liability whatsoever in connection therewith.