

Summit Series Fluorescent Luminaires

Installation Instructions

IF LBL1403

SAVE THESE INSTRUCTIONS FOR FUTURE REFERENCE

Note: All the following instructions are meant for skilled trades people only. We strongly recommend that only skilled trades people install this product.

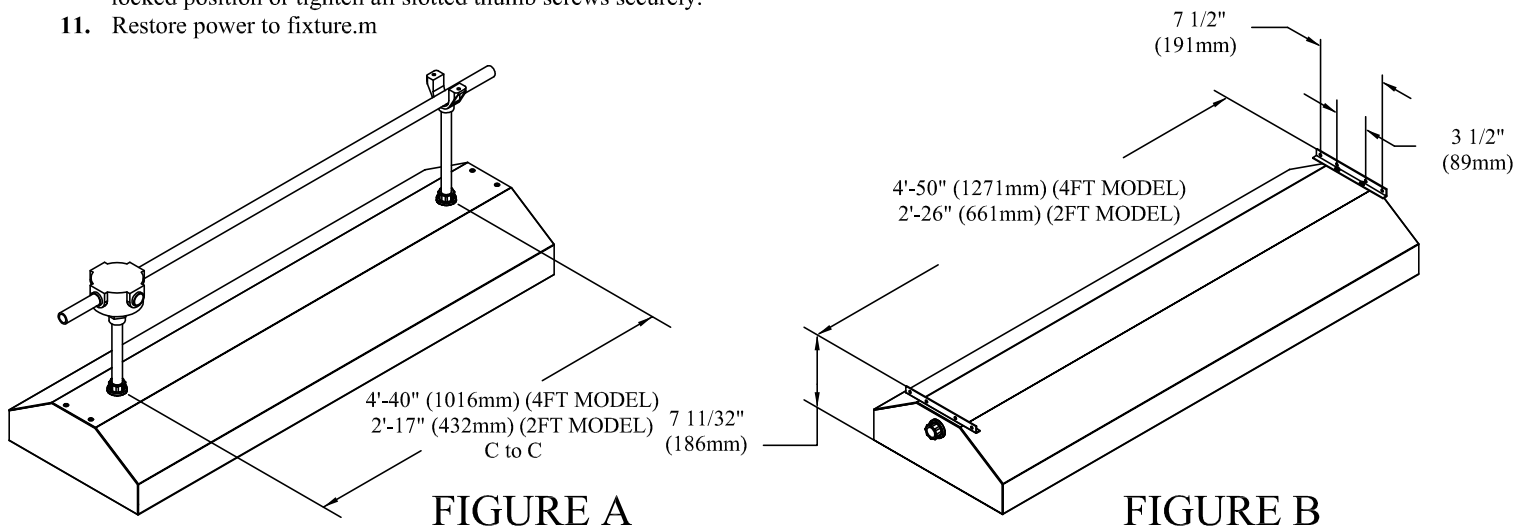
The Summit series of fixtures are a polyester powder coat, sheet aluminum or natural stainless steel, compact design fluorescent designed for easy installation. If the instructions below are followed installation time and all problems should be minimized.

A. Pendant mounting HP1095MTK (OPTIONAL)

1. **Make sure that the power is disconnected to the conduit system before installing the fixture.**
2. Cut both conduit stems to required length and thread ends into mounting kit and fittings. We recommend using classified unions at fixture entry, to make mounting easier.
3. Fixture is now ready for mounting. It is strongly suggested to use two qualified trades people to proceed with the final mounting of the fixture to avoid any possible personnel injury or damage to the fixture. The unit weighs up to 50 lb. (22.7 kg.) and will be slightly awkward to hold into position and make the wire terminations. Depending on ceiling height, scaffolding, hydraulic man-lift or two good quality ladders should be used.
4. Lift fixture into position, making the necessary wire connections and fastening fixture to either conduit stems using unions or to mounting kit through the 4 10/32 riv-nuts in back of housing.
5. Once fixture is mounted and wired, lamps may be installed.
6. To install lamps (this procedure can be performed before the fixture is mounted), open fixture lens door by releasing ¼ turn fasteners (4) and allowing door to open and hang on hinges.
7. Install lamp by angling past the flange on the fixture housing. Insert lamp into socket and rotate 90 degrees to lock into place for T5/T8 lamps, or simply depress spring loaded lamp holder for other lamp types.
8. Close fixture lens doors, making sure the door is properly seated on the housing flange for gasket seal and turn all (4) ¼ turn fasteners in locked position or tighten all slotted thumb screws securely.
9. Restore power to fixture.

B. Chain mounting using chain kit HP1093MTK (OPTIONAL)

1. **Make sure that the power is disconnected to the conduit system before installing the fixture.**
2. Attach the two angle brackets to fixture using provided 10/32 screws and lock washers.
3. Prepare ceiling with desired hook or chains of equal length.
4. Fixture is now ready for mounting. It is strongly suggested to use two qualified trades people to proceed with the final mounting of the fixture to avoid any possible personnel injury or damage to the fixture. The unit weighs up to 50 lb. (22.7 kg.) and will be slightly awkward to hold into position and make the wire terminations. Depending on ceiling height, scaffolding, hydraulic man-lift or two good quality ladders should be used.
5. Lift fixture into position, making the necessary attachments to the chains.
6. Once fixture is mounted, you may wire fixture using preferred conduit or flex cable and strain relief connector.
7. After proper wiring connections are made, you may install lamps.
8. To install lamps (this procedure can be performed before the fixture is mounted), open fixture lens door by releasing ¼ turn fasteners (4) and allowing door to open and hang on hinges.
9. Install lamp by angling past the flange on the fixture housing. Insert lamp into socket and rotate 90 degrees to lock into place for T5/T8 lamps, or simply depress spring loaded lamp holder for other lamp types.
10. Close fixture lens doors, making sure the door is properly seated on the housing flange for gasket seal and turn all (4) ¼ turn fasteners in locked position or tighten all slotted thumb screws securely.
11. Restore power to fixture.



Summit Series Fluorescent Luminaires

Installation Instructions

IF LBL1403

SAVE THESE INSTRUCTIONS FOR FUTURE REFERENCE

Note: All the following instructions are meant for skilled trades people only. We strongly recommend that only skilled trades people install this product.

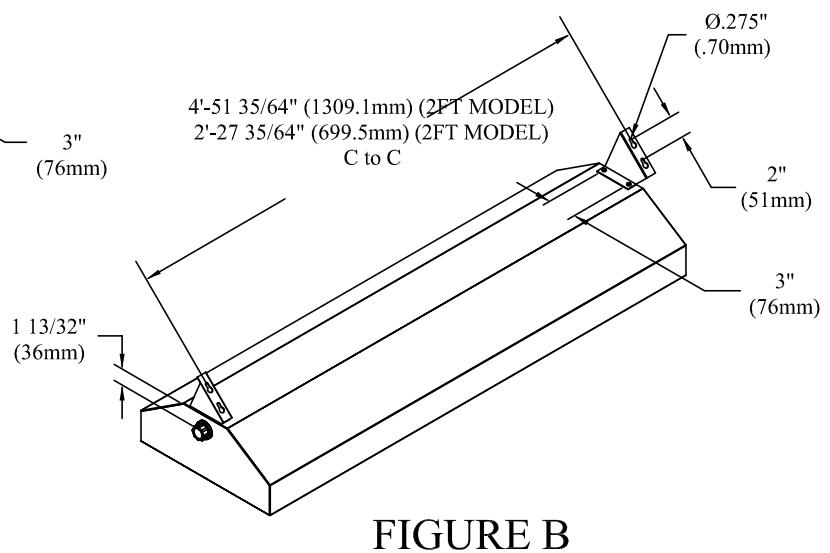
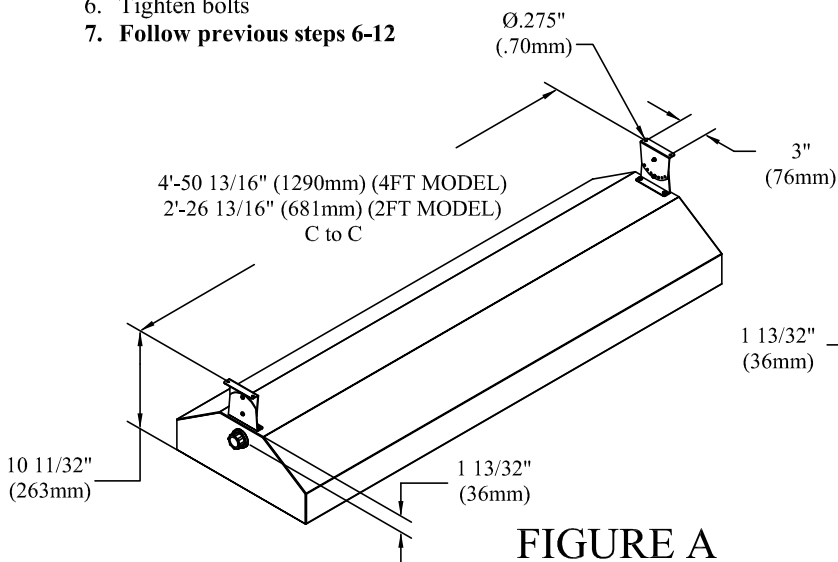
The "Summit" series of fixtures are a polyester powder coated sheet aluminum or natural stainless steel, compact design fluorescent designed for easy installation. If the instructions below are followed installation time and all problems should be minimized.

A: Adjustable wall/ceiling mounting, using a HP1097MTK adjustable mounting kit. (OPTIONAL)

1. Make sure that the power is disconnected to the conduit system before installing the fixture.
2. Install the bracket with multiple holes to wall or ceiling with two ¼" bolts (not supplied) at center to center measurements, shown on drawing below.
3. Install the bracket with the two holes to the threaded inserts in the back of the fixture using the supplied screws and lock-washers.
4. Fixture is now ready for mounting. It is strongly suggested to use two qualified trades people to proceed with the final mounting of the fixture to avoid any possible personnel injury or damage to the fixture. The unit weighs up to 50 lb. (22.7 kg.) and will be slightly awkward to hold into position and attach to brackets mounted on wall or ceiling. Depending on mounting height, scaffolding, hydraulic man-lift or two good quality ladders should be used.
5. Lift fixture into position matching the center single holes on the brackets, insert screw through both brackets on each side. Then install lock-washer and nut onto each screw, (finger tight). Adjust fixture to desired position, insert screw through both brackets on each side and install lock-washer and nut onto each screw. Tighten both nuts on each bracket.
6. Open fixture lens door by releasing (4) ¼ turn fasteners or slotted thumb screws and allowing door to open and to hang on hinges and remove reflector. (Three screws at each end)
7. Install connector (not supplied). This may be either a cable gland or a flexible liquid tight conduit type (approved for hazardous area installation, if required). With either connector type install in accordance to the manufacturers recommended procedure.
8. Connect ground, then power leads to the provided terminal blocks inside the fixture.
9. Install reflector (three screws at each end).
10. Install lamp by angling past the flange on the fixture housing. Insert lamp into socket and rotate 90 degrees for T5/T8 lamps to lock into place, or simply depress spring loaded lamp holder for other lamp types.
11. Close fixture lens door making sure the door is properly seated on the housing flange for gasket seal and turn all (4) ¼ turn fasteners in locked position or tighten all slotted thumb screws securely.
12. Restore power to fixture.

B: Fixed 45° mounting using HP1099MTK adjustable mounting kit. (OPTIONAL)

1. Make sure that the power is disconnected to the conduit system before installing the fixture.
2. Measure and mark four holes to wall or ceiling and insert two ¼" bolts (not supplied) at center to center measurements, shown on drawing below.
3. Install the bracket with the two round holes to the threaded inserts in the back of the fixture using the supplied screws and lock-washers.
4. Fixture is now ready for mounting. It is strongly suggested to use two qualified trades people to proceed with the final mounting of the fixture to avoid any possible personnel injury or damage to the fixture as the unit weighs up to 50 lb. (22.7 kg.) and will be slightly awkward to hold into position and attach to brackets mounted on wall or ceiling. Depending on mounting height, scaffolding, hydraulic man-lift or two good quality ladders should be used.
5. Raise fixture and set in slotted holes in bracket.
6. Tighten bolts
7. Follow previous steps 6-12



Summit Series Fluorescent Luminaires

Maintenance Instructions

IF LBL1403

SAVE THESE INSTRUCTIONS FOR FUTURE REFERENCE

Note: All the following instructions are meant for skilled trades people only. We strongly recommend that only skilled trades people service this product.

The Summit series of fixtures are a polyester powder coat, sheet aluminum or natural stainless steel, compact design fluorescent designed for long maintenance free life. The only component requiring replacement on a regular basis are the lamps. As most fluorescent lamps are designed for 20,000 + hour operation, replacement should be required every 3 to 4 years (based on a 15 hour operation per day).

A. Lamp replacement for T5/T8 Bi-Pin

Tools required: Insulated Phillips #2 screwdriver.

1. **Turn off power source to fixture.**
2. Open fixture door by turning (4) ¼ turn fasteners or unscrewing thumb screws allowing door to open and hang on hinges.
3. **Remove old lamp by rotating 90 degrees** , then lift lamp from socket and angle in fixture housing until it is clear of inner flange.
4. Replace lamps (using lamps of equal specifications) to maintain maximum lumen output.
5. For installation of new lamps repeat procedure 3 in reverse making sure that the lamp is rotated 90 degrees in the socket to lock into place.
6. Close fixture door making sure the door is properly seated onto the housing flange for gasket seal, and turn all (4) ¼ turn fasteners in locked position.
7. Restore power to fixture.

B. Lamp replacement for T8HO

Tools required: Insulated Phillips #2 screwdriver.

1. **Turn off power source to fixture.**
2. Open fixture lens door by turning (4) ¼ turn fasteners or unscrewing thumb screws allowing door to open and hang on hinges.
3. Depress spring loaded sockets and remove lamp. If difficulty occurs, use **insulated screwdriver in between lamp and socket** to assist in lamp removal.
4. **(Caution: Use of excessive force when replacing lamps may result in damage to sockets or lamps and may cause bodily injury.)**
5. Replace lamps (using lamps of equal specifications) to maintain maximum lumen output.
6. Close fixture lens doors making sure the door is properly seated on the housing flange for gasket seal and turn all (4) ¼ turn fasteners in locked position.
7. Restore power to fixture.

C. Ballast replacement

Tools required: 3/8" nutdriver or socket, Phillips #2 screwdriver, wire cutters & compression tool if compression connectors are used.

1. **Turn off power source to fixture.**
2. Remove lamps as per above instructions.
3. Remove screws holding reflector in place (three screws at each end) and remove reflector.
4. Disconnect power leads (black and white wires).
5. Cut leads from sockets to ballast at 6 inches (15 cm.) from ballast.
6. Remove nuts holding ballasts.
7. **Replace ballast with the same brand and rating to maintain the CSA approval on this product (not all ballasts are approved for use in hazardous area fixtures).** Consult factory before installing a ballast that is not identical.
8. Hold ballast in place and secure with a nut at each end.
9. Connect wires with an approved wire nut or compression connector making sure to match the same colored leads coming from each socket.
10. Connect power leads to ballast (black and white wires).
11. Replace reflector using the screws supplied (three screws at each end).
12. Replace lamps as per above instructions.
13. Close fixture lens door making sure the door is properly seated on the housing flange for gasket seal and turn all (4) ¼ turn fasteners in locked position or tighten all slotted thumb screws securely.
14. Restore power to fixture.

All statements, technical information and recommendations contained herein are based on information and tests we believe to be reliable. The accuracy or completeness thereof are not guaranteed. In accordance with Crouse-Hinds "Terms and Conditions of Sale", and since conditions of use are outside our control, the purchaser should determine the suitability of the product for his intended use and assumes all risk and liability whatsoever in connection therewith.