

Cord Installation

Note: Installation kit **must** be used when connecting cord to fixture due to extreme temperature. Failure to do so may result in the melting of standard wire nuts and insulation on lead wires as they are only rated to 90C.

1. Slide 1/2" strain relief onto cord. Strip cord back exposing lead wires of a max. length of 4 inches.
2. Connect ground wire from cord to ground wire connected to fixture with porcelain wire nut supplied in installation kit.
3. Connect the remaining two wires from the sockets to either the black or white wires using the remaining two porcelain wire nuts supplied in the installation kit.
4. Push wires back into fixture.
5. Screw in the base of strain relief connector. Do not tighten top of strain relief until base is tight to avoid wire twisting.
6. Once base of connector is tight, tighten top ring to seal cord.
7. Connect power supply.

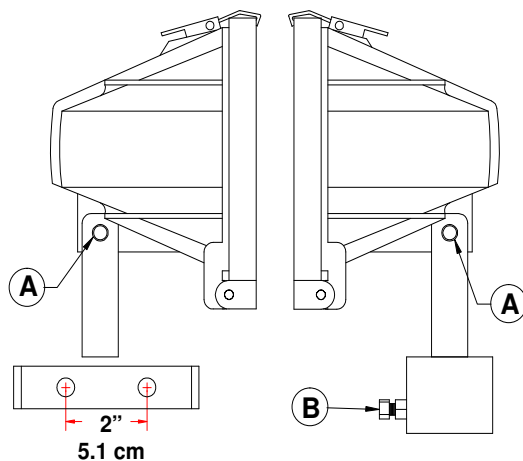
Fixture Mounting

Trunnion Mount (QAL - T)

1. First secure base of trunnion to desired area using a maximum 3/8" bolt or screw and lock washers (not supplied).
2. If pre-drilling is necessary, drill 2 holes at a spacing of 2" (5.1 cm) to accommodate bolts being used.
3. Once fixture is fastened down, loosen bolts "A", using a 9/16" wrench, adjust fixture to desired angle, then re-tighten bolts to secure.

Post Mount (QAL - P)

1. Loosen bolt "B" to allow post mount to accept maximum 2" O.D pipe (1 1/2" rigid conduit).
2. Once fixture is placed on pipe, rotate fixture assembly to the desired direction and tighten bolt "B".
3. Loosen bolts "A", using a 9/16" wrench, adjust fixture to desired angle, then re-tighten bolts to secure.



Maintenance

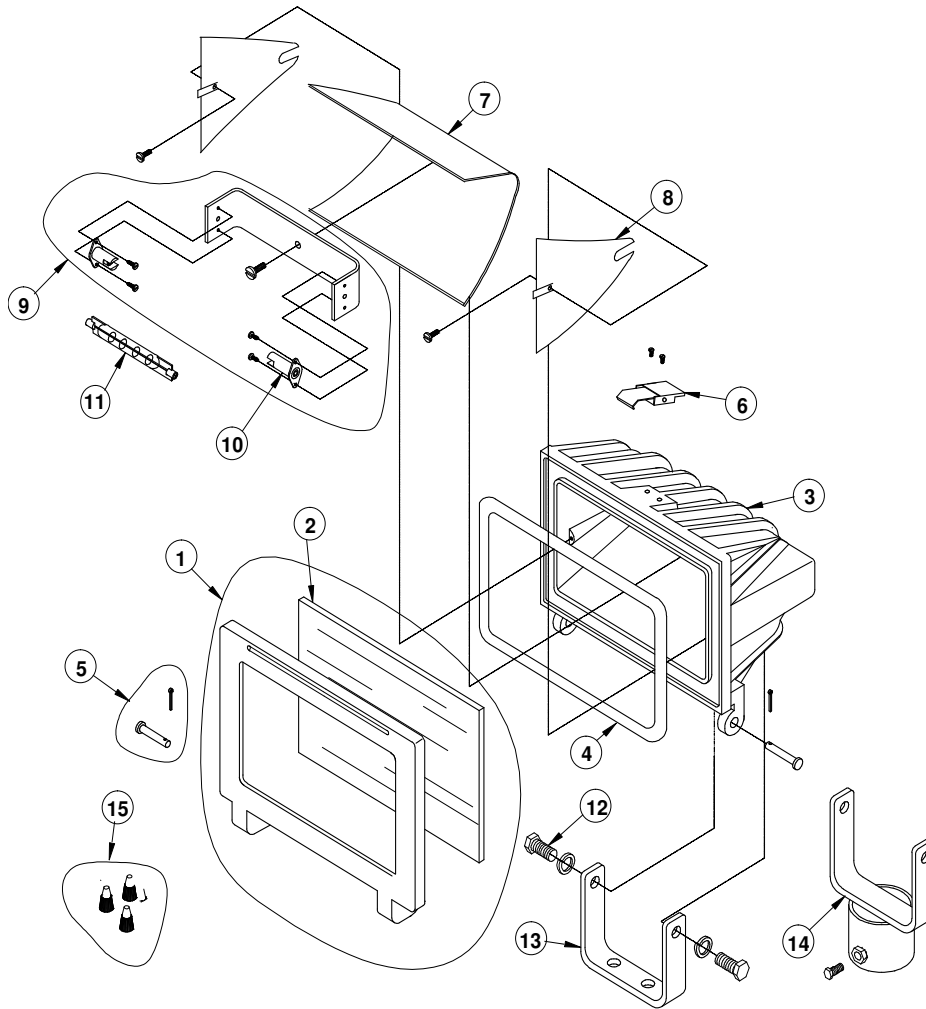
1. Keep glass and reflectors clean to maintain maximum light output.
2. When cleaning glass disconnect power supply and let fixture cool to eliminate the possibility of the glass breaking due to the sudden change of temperature.
3. When replacing lamp, keep protective sleeve on new lamp until it is in place. Refraining from this operation may reduce the life of the new lamp.

QA-L Achiever

QAL Replacement Parts

IF LBL1377

SAVE THESE INSTRUCTIONS FOR FUTURE REFERENCE



No.	Qty.	Part No.	Description	Weight lbs. (kg.)	No.	Qty.	Part No.	Description	Weight lbs. (kg.)
1	1	055-0501	Door frame assembly	2.16 (0.98)	8	2	055-3001	Side reflector	0.05 (0.02)
2	1	055-0100	Tempered glass lens	1.19 (0.54)	9	1	055-4000	Lampholder assembly	0.31 (0.14)
3	1	655-5001	Cast housing	4.00 (1.82)	10	2	756-0305	Socket for quartz lamp	0.11 (0.05)
4	1	055-2000	Silicone gasket	0.09 (0.04)	11	1	711-0501	Lamp, quartz 500 W, 130 V	0.07 (0.03)
5	2	055-7000	Hinge hardware	0.07 (0.03)	12	2	380-5038	Hardware, bracket mount	0.05 (0.02)
6	1	035-2065	Latch	0.07 (0.03)	13	1	550-1056	Trunnion mount bracket	0.53 (0.24)
7	1	055-3100	Back reflector	0.20 (0.09)	14	1	550-1055	Post mount bracket	1.25 (0.57)
					15	1	055-7500	Installation kit	0.07 (0.03)

All statements, technical information and recommendations contained herein are based on information and tests we believe to be reliable. The accuracy or completeness thereof are not guaranteed. In accordance with Crouse-Hinds "Terms and Conditions of Sale", and since conditions of use are outside our control, the purchaser should determine the suitability of the product for his intended use and assumes all risk and liability whatsoever in connection therewith.