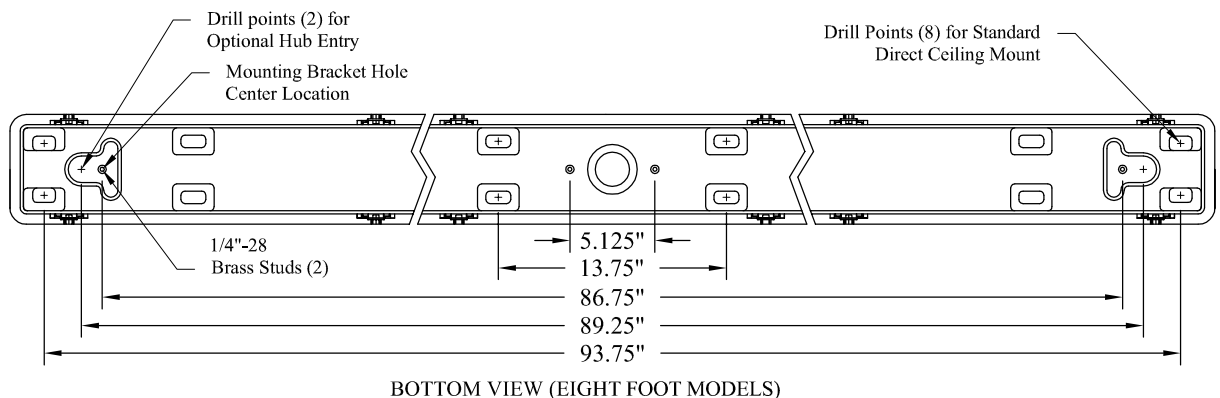
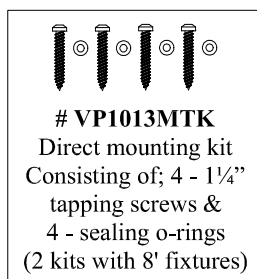
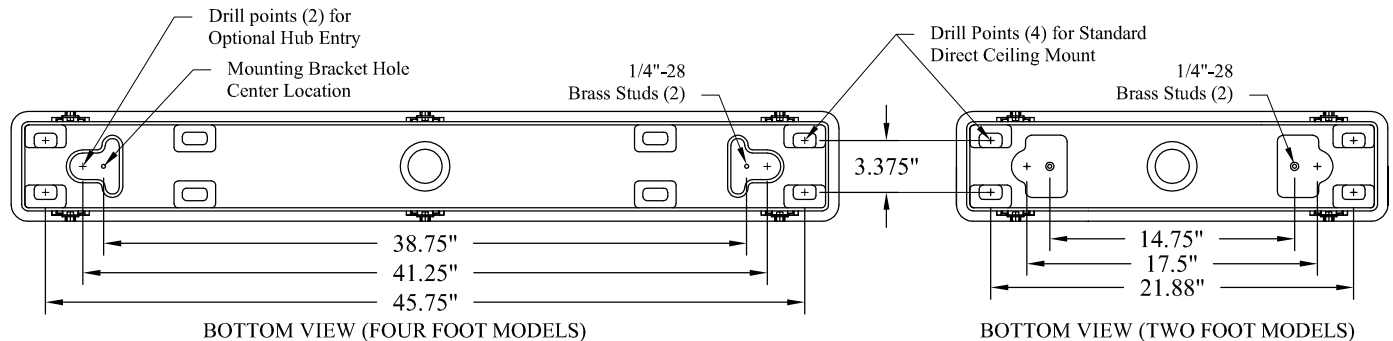


## Mounting Instructions using supplied VP1013MTK

1. **Make sure that the power is disconnected to the conduit system before installing the fixture.**
2. Remove lens by unlatching all clips and lift out lens.
3. Remove lamps (if installed) See instructions.
4. Remove reflector by removing 2 or 4 screws on either end and pop off reflector.
5. Once reflector is removed, remove entry hubs (if VPH model) and 2/4 10-32 nuts, which hold metal interior into place.
6. Once interior is removed, housing is ready to be mounted.
7. It is strongly suggested to use two qualified trades people to proceed with the final mounting of the fixture to avoid any possible personnel injury or damage to the fixture and will be slightly awkward to hold into position and attach to brackets mounted on wall or ceiling. Depending on mounting height, scaffolding, hydraulic man-lift or two good quality ladders should be used.
8. Lift housing into desired location.
9. Using the supplied screws (**complete with o-rings**), drill through housing and into surface desired. See diagram (A)  
**NOTE: DO NOT LET FIXTURE HANG ON ONE SCREW. FAILING TO COMPLY MAY RESULT IN BREAKAGE OF HOUSING AND POSSIBLE INJURY OR DEATH.**
10. Once all housing is securely fastened to ceiling or wall, replace interior and hubs (if necessary).
11. Make necessary wiring connections.
12. Replace reflector using screws previously removed.
13. Install lamps. (See instructions)
14. Replace lens ensuring that all catches are fastened and in proper working condition.
15. Restore power to fixture.



**NOTE: All catches on fixtures must be intact and in proper working condition, and o-rings must be used when mounting by this method for the CSA approvals to apply.**

**Note:** All the following instructions are meant for skilled trades people only. We strongly recommend that only skilled trades people install this product.

The VersaPro series of fixtures are a non-metallic, lightweight, compact design fluorescent designed for corrosive areas and easy installation. If the instructions below are followed installation time and all problems should be minimized.

**It is strongly suggested to use two qualified trades people to proceed with the final mounting of the fixture to avoid any possible personnel injury or damage to the fixture. The unit weighs up to 46 lb. (20.1 kg.) and will be slightly awkward to hold into position and make the wire terminations. Depending on ceiling height, scaffolding, hydraulic man-lift or two good quality ladders should be used.**

### A. Pendant mounting using HP1095MTK standard pendant mount.

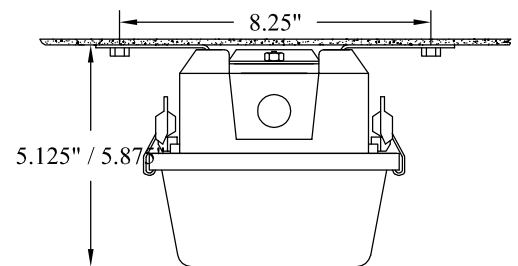
**1. Make sure that the power is disconnected to the conduit system before installing the fixture**

2. The HP1095 mounting kit will include 1 hazardous area junction box c/w pendant cover, 1 saddle strap and 3/4" NPT. pipe plugs.
3. Mount box only onto conduit system.
4. Measure 17.5"/41.25"/89.25" (44.5/122/226.7 cm) away from center of box, and mark and drill 2 holes 3.0" (7.6 cm) apart for saddle strap.
5. Determine desired height of fixture and cut two lengths of conduit.
6. Assemble saddle strap to length of conduit and attach to fixture making sure that strap is perpendicular to fixture.
7. Attach other length of conduit to fixture and attach pendant cover.
8. Raise fixture into place making necessary wire connections in junction box and feed wires through pendant cover/conduit and into fixture.
9. Once wires are pulled through fixture attach pendant cover to box (make sure gasket is in place) and fasten saddle strap to ceiling.
10. Make all necessary wiring connections inside of fixture.
11. Replace reflector and install lamps. (See instructions)
12. Replace lens ensuring that it seats in flange and close all latches.
13. Restore power to fixture.

### B. Surface mounting using VP1091MTK

**1. Make sure that the power is disconnected to the conduit system before installing the fixture.**

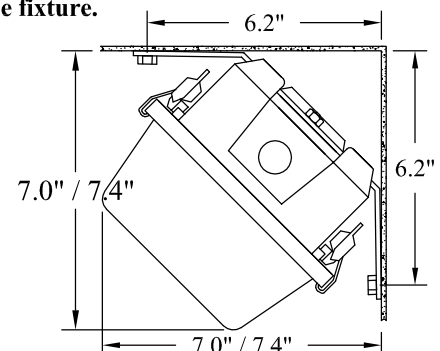
2. Attach the two brackets to fixture using provided 10/32 nuts and lock washers.
3. Prepare ceiling with 4 or 8 holes, 6.2" (15.7cm) away from wall and ceiling 14.75"/38.75"/86.75" (37.5/98.4/220.3 cm) apart.
4. Fixture is now ready for mounting.
5. Lift fixture into position, and fasten to wall/ceiling.
6. Once fixture is mounted, you may wire fixture using preferred conduit or flex cable and strain relief connector.
7. After proper wiring connections are made, you may install lamps.
8. Install lamps (see instructions if necessary)
9. Replace lens ensuring that it seats in flange and close all latches.
10. Restore power to fixture.



### C. Angle mounting using VP1093MTK

**1. Make sure that the power is disconnected to the conduit system before installing the fixture.**

2. Attach the two brackets to fixture using provided 10/32 nuts and lock washers.
3. Prepare ceiling with 4 or 8 holes, 6.2" (15.7cm) away from wall and ceiling 14.75"/38.75"/86.75" (37.5/98.4/220.3 cm) apart.
4. Fixture is now ready for mounting.
5. Lift fixture into position and fasten to corner of wall. Once fixture is mounted, you may wire fixture using preferred conduit or
6. flex cable and strain relief connector.
7. After proper wiring connections are made, you may install lamps.
8. Install lamps (see instructions if necessary)
9. Replace lens ensuring that it seats in flange and close all latches.



**Note: All the following instructions are meant for skilled trades people only. We strongly recommend that only skilled trades people service this product.**

The VersaPro series of fixtures are a non-metallic, compact design fluorescent designed for long maintenance free life. The only component requiring replacement on a regular basis are the lamps. As most fluorescent lamps are designed for 20,000 + hour operation, replacement should be required every 3 to 4 years (based on a 15 hour operation per day).

### A. Lamp replacement for F32T8 or F40T12 design

**Tools required: no tools required for entry**

**1. Turn off power source to fixture.**

2. Open fixture door by releasing catches on both sides and allowing door lens to be removed.

**3. Remove old lamp by rotating 90 degrees**, then lift lamp from socket.

4. Replace both lamps (using lamps of equal specifications) to maintain maximum lumen output.

5. For installation of new lamps repeat procedure 3 in reverse making sure that the lamp is rotated 90 degrees in the socket to lock into place.

6. Replace lens ensuring that it seats in flange and close all latches.

7. Restore power to fixture.

### B. Lamp replacement for two F48T12 design

**Tools required: Insulated slotted screwdriver (if necessary).**

**1. Turn off power source to fixture.**

2. Open fixture door by releasing catches on both sides and allowing door lens to be removed.

3. Depress spring-loaded sockets and remove lamp. If difficulty occurs, use **insulated screwdriver in between lamp and socket** to assist in lamp removal.

**(Caution: Use of excessive force when replacing lamps may result in damage to sockets or lamps and may cause bodily injury.)**

4. Replace both lamps (using lamps of equal specifications) to maintain maximum lumen output.

5. Replace lens ensuring that it seats in flange and close all latches.

6. Restore power to fixture.

### C. Ballast replacement

**Tools required: slotted screwdriver, wire cutters & compression tool if compression connectors are used.**

**1. Turn off power source to fixture.**

2. Remove lamps as per above instructions.

3. Remove screws holding reflector in place (a single screw at each end) and remove reflector. (you may have to pull from the side as reflector snaps on, depending on model)

4. Disconnect power leads (black and white wires).

5. Cut leads from sockets to ballast at 6 inches (15 cm.) from ballast.

6. Remove screws holding ballast in place (a single screw at each end).

**7. Replace ballast with the same brand and rating to maintain the CSA approval on this product (not all ballasts are approved for use in hazardous area fixtures).** Consult factory before installing ballast that is not identical.

8. Hold ballast in place and secure with a screw at each end.

9. Connect wires with an approved wire nut or compression connector making sure to match the same colored leads coming from each socket.

10. Connect power leads to ballast (black and white wires).

11. Replace reflector using the screws supplied (a single screw at each end).

12. Replace lamps as per above instructions.

13. Replace lens ensuring that it seats in flange and close all latches.

14. Restore power to fixture.

**NOTE: All catches on fixtures must be intact and in proper working condition for the CSA approvals to apply.**

All statements, technical information and recommendations contained herein are based on information and tests we believe to be reliable. The accuracy or completeness thereof are not guaranteed. In accordance with Crouse-Hinds "Terms and Conditions of Sale", and since conditions of use are outside our control, the purchaser should determine the suitability of the product for his intended use and assumes all risk and liability whatsoever in connection therewith.