

ZonePro Performer Series Fluorescent Luminaires

COOPER Crouse-Hinds
PAULUHN

Installation Instructions

IF LBL1371

SAVE THESE INSTRUCTIONS FOR FUTURE REFERENCE

FIXTURE FOR HAZARDOUS LOCATIONS

DO NOT ATTEMPT INSTALLATION UNTIL YOU ARE FAMILIAR WITH ALL WARNINGS, PRECAUTIONS, AND PROCEDURES OUTLINED WITHIN THIS INSTRUCTION SHEET

INSTALLATION PRECAUTIONS

- Do not install fixture in any classified location where the marked operating temperature exceeds the ignition temperature of the hazardous atmospheres. Consult fixture nameplate for suitability in specific hazardous locations.
- Do not install fixture in a location where the ambient temperature exceeds the maximum ambient temperature shown on the nameplate.
- Refer to fixture nameplate for minimum supply wire temperature rating.
- Verify that the supply voltage agrees with fixture rating as indicated on nameplate.
- All local and national electrical/building codes must be followed when installing this lighting fixture.
- FOR CODE INTERPRETATION, CONSULT YOUR LOCAL AUTHORITY.
- Product must be used only with glass tubes intact and all cap threads fully engaged. Do NOT use if glass tubes are cracked or damaged.
- CAUTION: Use only lamp size, type and/or wattage as shown on fixture nameplate.

INSTRUCTIONS FOR INSTALLATION

WARNING: WE STRONGLY RECOMMEND THAT ONLY SKILLED TRADES PEOPLE INSTALL THIS PRODUCT.

WARNING: MAKE SURE THAT THE POWER IS DISCONNECTED BEFORE INSTALLATION.

WARNING: THIS FIXTURE IS EXTREMELY HEAVY AND MUST BE MOUNTED TO A SURFACE THAT CAN STRUCTURALLY SUPPORT THE LOAD.

NOTE: THIS FIXTURE REQUIRES A MINIMUM OF 50 INCHES OF CLEARANCE FROM RE-LAMP END FOR LAMP REPLACEMENT. AN OPTIONAL DROP MOUNTING KIT THAT WILL ALLOW FOR END TO END ROW MOUNTING IS AVAILABLE, PLEASE CONSULT FACTORY.

1. The mounting brackets are shipped installed on the fixture. Remove the brackets from the fixture to begin installation.
2. Install the brackets to wall or ceiling (toes pointing in) with two 3/8" bolts (not supplied) at center to center measurements, shown on drawing (1) below. Install the angle half of the two piece bracket (A) on the re-lamp / power end of the fixture
3. Fixture is now ready for mounting. It is strongly suggested to use two qualified trades people to proceed with the final mounting of the fixture to avoid any possible personnel injury or damage to the fixture as the unit weighs up to 66 lb. (30.0 kg) and will be slightly awkward to hold in position and attach to brackets mounted on wall or ceiling. Depending on mounting height; scaffolding, hydraulic man-lift, or two good quality ladders should be used.
4. Lift fixture into position so that the non-powered end fits into the one-piece bracket (B) shown on drawing (2) below.

WARNING: DO NOT LET FIXTURE HANG ON ONE BRACKET AT ANYTIME. FAILING TO COMPLY CAN RESULT IN THE BREAKAGE OF AN END CASTING OR MOUNTING BRACKET ALLOWING THE FIXTURE TO FALL WHICH CAN CAUSE SERIOUS INJURY OR DEATH.

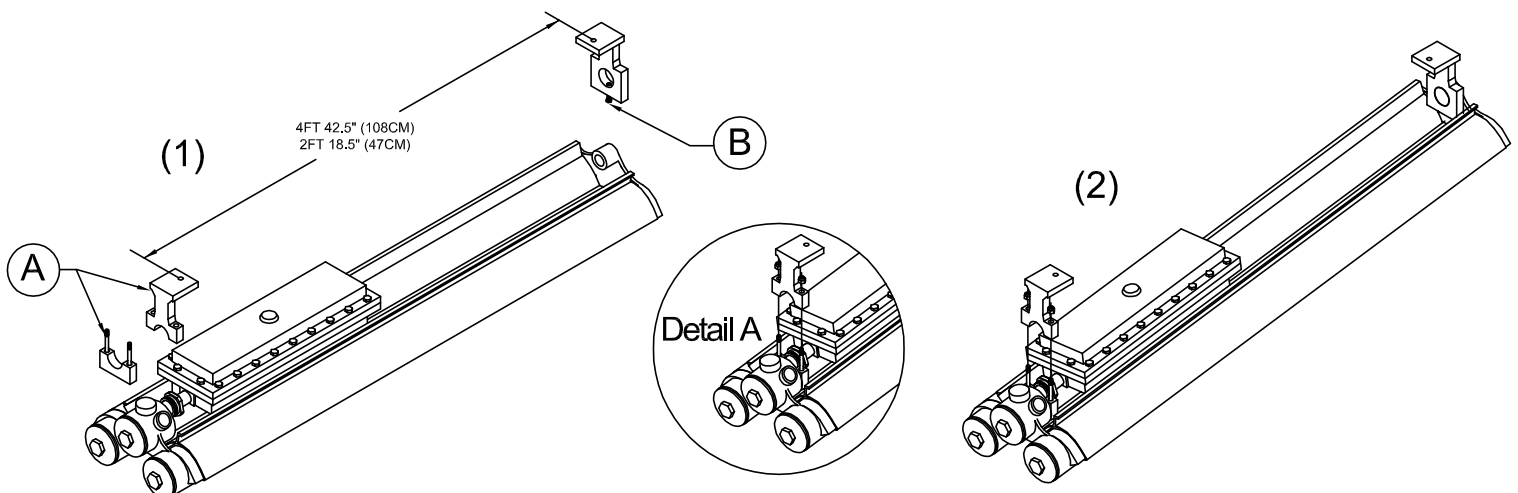
(The next four steps refer to Detail A below)

5. Place top of two piece bracket underneath hub of re-lamp end.
6. Raise re-lamp end of fixture so the two studs pass through holes in anchored bracket.
7. Once in place, install the two 1/4" locknuts onto studs and tighten until snug.
8. Adjust and hold fixture at the desired angle and complete tightening locknuts and the setscrew on the non-powered end.

INSTRUCTIONS FOR WIRING

9. Remove the upper center screw cap on the re-lamp end (field wiring compartment).
10. Install approved cable connector or conduit fitting into 1/2" NPT hub on field wiring compartment.
11. Install a three-conductor cable into the connector, allowing 3 inches of wire inside compartment for connection.
12. Using approved wire connectors, splice wires as per color codes: black to black (LINE), white to white (COMMON) and green to green (GROUND).
13. Replace end-cap, making sure there are no wires protruding that may be pinched causing a possible short circuit.

WARNING: FIXTURE MUST BE GROUNDED AS REQUIRED PER PARAGRAPH 410-21 AND ARTICLE 250 NATIONAL ELECTRIC CODE AND/OR RULE 30-500 AND SECTION 10 OF CANADIAN ELECTRIC CODE. FAILURE TO PROPERLY GROUND THIS FIXTURE WILL CREATE AN ELECTRICAL SHOCK, WHICH CAN CAUSE SERIOUS INJURY OR DEATH.



ZonePro Performer Series Fluorescent Luminaires

COOPER Crouse-Hinds
PAULUHN

Maintenance Instructions

IF LBL1371

SAVE THESE INSTRUCTIONS FOR FUTURE REFERENCE

FIXTURE FOR HAZARDOUS LOCATIONS. DO NOT ATTEMPT ANY MAINTENANCE UNTIL YOU ARE FAMILIAR WITH ALL WARNINGS, PRECAUTIONS, AND PROCEDURES OUTLINED WITHIN THIS INSTRUCTION SHEET.

WARNING: TO AVOID EXPOSING HOT SURFACES OR ELECTRIC ARCING TO HAZARDOUS ATMOSPHERE, DISCONNECT THIS FIXTURE FROM SUPPLY CIRCUITS BEFORE REMOVING END CAPS. DO NOT RE-ENERGIZE UNTIL THE END CAPS HAVE BEEN RE-INSTALLED AND THE ENTIRE FIXTURE HAS BEEN RE-ASSEMBLED TO THE MANUFACTURER'S ORIGINAL SPECIFICATIONS. FAILURE TO COMPLY WITH THIS WARNING CAN CAUSE FIRE OR EXPLOSION, WHICH CAN RESULT IN SERIOUS INJURY OR DEATH

FIXTURE CLEANING

Periodic cleaning of the glass tubes may be needed to maintain full lighting efficiency and to prevent excessive dust or dirt accumulation, which could cause the fixture to operate at a higher temperature. Cleaning the fixture components should be done with a non-abrasive solution of soap or detergent and water. Residual solution should be removed by clean water rinsing.

GLASS TUBE REPLACEMENT

Only the manufacturer should perform tube replacement. This fixture is approved for Class I Div.1 Groups C & D (explosion proof) areas and field replacement on these tubes will void all warranties and listings.

WARNING: FIRE AND EXPLOSION HAZARD. BREAKAGE OF GLASS TUBES AND EXPOSURE OF LAMP TO A COMBUSTIBLE ATMOSPHERE CAN RESULT IN AN EXPLOSION AND POSSIBLE INJURY OR DEATH. DURING INSTALLATION OR MAINTENANCE, CARE SHOULD BE TAKEN NOT TO SCRATCH, SCORE, NICK OR CHIP THE GLASS TUBES

BALLAST REPLACEMENT

1. Remove the upper center screw cap on the relamp end (wiring compartment) and disconnect the black (line) and white (common) connections.
2. Remove the ballast box top by removal of 22 sets of 1/4" nuts and bolts.
3. Be careful handling the castings as not to scratch the machined surfaces.
4. Cut all socket connections inside the box leaving 4 inches from hub entry.

NOTE: Wires to ballast are color-coded. Do not remove tape when exchanging ballast. Before cutting ballast wires, record corresponding ballast wires to eliminate mix up when rewiring. Always check wire colors as Instant start and rapid start models vary.

5. Remove the old ballast by removing the 1/4" screws from each end.
6. Install the new ballast using above screws and with approved wire connections, splice the new ballast wires to the corresponding existing wires from hub.
7. Push the black and white wires from the ballast through the hub into the wiring compartment, make connections and re-install the threaded cap.
8. Clean ballast box flanges and ensure gasket is properly seated in bottom groove.
9. Re-install ballast box top (make sure no wires are caught between flanges).
10. Once bolts are tight, a feeler gauge of .0015 in. should not fit between flanges.

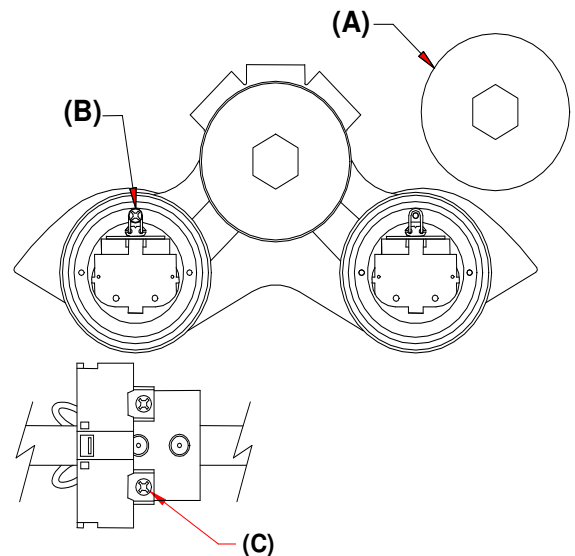
RE-LAMPING PROCEDURES (see diagram below)

1. Remove end cap(s) (A), remove the screws (B) to free the wire-way assembly. You will have to disconnect wires to socket(s) to be able to remove wire-way
2. To remove lamp, lift base of lamp up and the out of the socket.
3. To replace lamp, place new lamp into lamp holder, slide into socket and press base down lightly until it clicks into place
4. Once lamp(s) is in place, replace wire-way into fixture.
5. Replace screw (B) and reconnect wires (previously disconnected). \Replace end-cap(s) **(CAUTION: When replacing end caps, make sure that there are no protruding wires which can be pinched in between socket strap and end cap. This may lead to short circuit of ballast or lamp).**

NOTE: ALL THREADS MUST BE LUBRICATED TO PREVENT BINDING. IF LUBRICANT IS REMOVED, LIGHTLY LUBRICATE WITH HIGH QUALITY THREAD LUBRICANT.

SOCKET REPLACEMENT FOR POWERED & NON-POWERED END

1. Remove end cap(s) (A), remove the screws (B) to free the wire-way assembly. You will have to disconnect wires to socket(s) to be able to remove wire-way
2. Remove wire-way.
3. Remove lamp(s) by lifting base of lamp up and the out of the socket.
4. Remove the two screws (C) releasing socket from wire-way.
5. Remove wires from socket(s)
6. Replace wires into new socket(s) and fasten back onto plate with 2 screws (C).
7. Replace lamp(s), ensuring that you click the bases down into place.
8. Once lamp(s) is in place, replace wire-way into fixture.
9. Replace screw (B).
10. Reconnect wires (previously disconnected).
11. Replace end-cap(s) **(CAUTION: When replacing end caps, make sure that there are no protruding wires which can be pinched in between socket strap and end cap. This may lead to short circuit of ballast or lamp).**



All statements, technical information and recommendations contained herein are based on information and tests we believe to be reliable. The accuracy or completeness thereof are not guaranteed. In accordance with Crouse-Hinds "Terms and Conditions of Sale", and since conditions of use are outside our control, the purchaser should determine the suitability of the product for his intended use and assumes all risk and liability whatsoever in connection therewith.