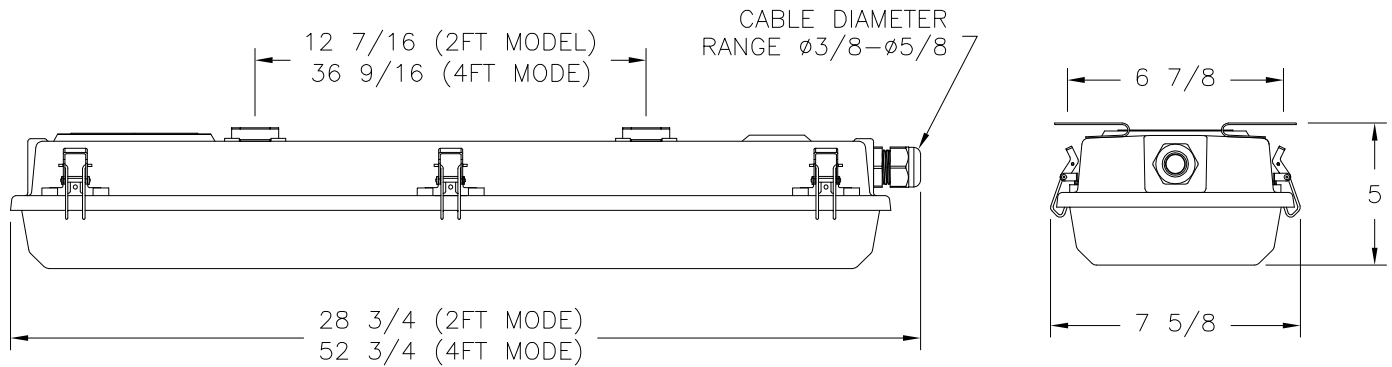


ProMax INTREPID FAS/FPS/FSS Series

Fluorescent Luminaires

Installation Instructions

SAVE THESE INSTRUCTIONS FOR FUTURE REFERENCE



IMPORTANT

Warning- All electrical wiring should be done by qualified electricians only.

1. Read carefully before installing and wiring fixture and retain for future reference.
2. Check the label rating to insure the fixture is suitable for the environment & supply.
3. The fixture should be installed in accordance with the National Electrical Code and any or codes having jurisdiction over the installation area.
4. Disconnect the fixture from the supply circuit before opening. Keep tightly closed when in operation.
5. See product label for minimum supply wire temperature rating.
6. All fixtures must be properly grounded.
7. See product label for maximum ambient temperature.
8. Use only lamp types designated on the fixture information label.
9. Under **NO** circumstances should the internal reflector be opened or removed during operation. Fixtures contain fluorescent ballast having extremely high voltage output.
10. All ballast operate at a .90 power factor or better.

INSTALLATION

Do not attempt to install fixture unless you are familiar with the warnings, cautions and procedures outlined in this instruction sheet.

1. Remove fixture from carton, undo the latches holding the lens in place remove and dispose of protective plastic covering the lens, replace lens, secure with latches.
2. Position the fixture onto the intended mounting surface.
3. Secure the fixture in place with a minimum 1/4" diameter size bolt & flat washer through the hole provided in each mounting leg. Mounting hardware is not provided.

Note: all 4 mounting legs must be secured.

ELECTRICAL INSTALLATION

Warning: All wiring should be done by qualified electricians only!

Do not attempt to make electrical connections with the power on.

See product label for voltage input and amperage load per fixture.

See product label for minimum supply wire temperature rating.

1. Remove lens by opening latches, lens will be supported by cables.
2. Open reflector by turning 2 fasteners 1/4 turn, reflector will be supported by cables.
3. Bring power in through the cord grips provided on the end of the fixture. Size of cable must be in the range shown on the dimensional drawing of this sheet.
4. Connect the hot lead to the black fixture wire, the neutral lead to the white fixture wire and ground lead to the green fixture wire. Use only approved electrical type splices. Use caution to route wires away from fluorescent ballast.
5. Tighten cord grips securely assuring a good seal around the cable(s). Note that any unused cable entries must be properly plugged or sealed to prevent water entry.
6. Close reflector by positioning in place and turning 1/4 turn fasteners.
7. Install lamps using only those types specified on product label.
8. Replace lens in position and latch in place with all latches.

ProMax INTREPID FAS/FPS/FSS Series

Fluorescent Luminaires

Installation Instructions

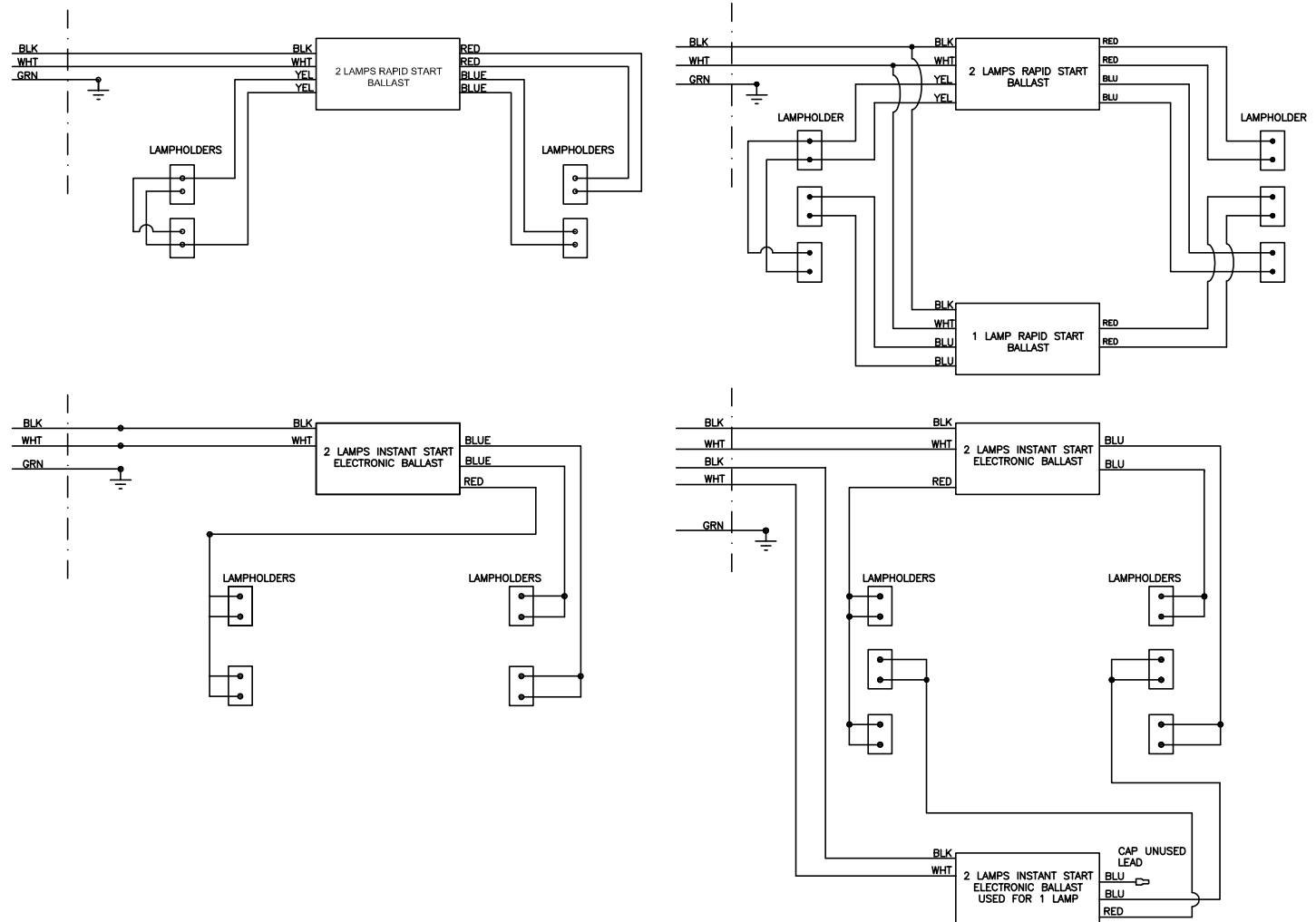
IF LBL1370

SAVE THESE INSTRUCTIONS FOR FUTURE REFERENCE

OPERATION

After all mounting and electrical work has been completed and the fixture is properly closed, power can be applied and the fixture inspected for proper operation. Most 2 & 3 lamp fluorescent ballast operate on a disconnect type principal, meaning failure of 1 lamp may affect operation of the other(s). As with all fluorescent fixtures, lamps should be replaced prior to or at the end of their life cycle. When replacing a single failed lamp, consideration should be given as to the remaining life cycle of other lamps in the fixture.

General Wiring Diagrams



CLEANING

The housing and lens may be washed with water and small amount of mild detergent. Consideration should be given to use a non-abrasive type sponge or cloth to clean the lens and avoid scratches. Wipe or rinse clean with fresh water.

GENERAL

It should be noted that all components replaced must be in accordance with the manufactures specifications. Failure to do so may invalidate the certification and warranty of the fixture and could make the product dangerous. **No** modifications should be made to fixture without the knowledge and consent of the manufacturer. We reserve the right to make design changes without notice. Copies of conditions of sale and warranty policy are available on request. All data is for guidance only

All statements, technical information and recommendations contained herein are based on information and tests we believe to be reliable. The accuracy or completeness thereof are not guaranteed. In accordance with Crouse-Hinds "Terms and Conditions of Sale", and since conditions of use are outside our control, the purchaser should determine the suitability of the product for his intended use and assumes all risk and liability whatsoever in connection therewith.