

FEPR GLOBE ASSEMBLY Replacement Instructions

SAVE THESE INSTRUCTIONS FOR FUTURE REFERENCE

Warning: All servicing must be conducted by qualified personnel only. The globe assembly you are about to replace has machined surfaces. There must be no debris or dirt between these surfaces and the fixture when installing the new globe assembly.

Caution: Remove power prior to any field servicing.

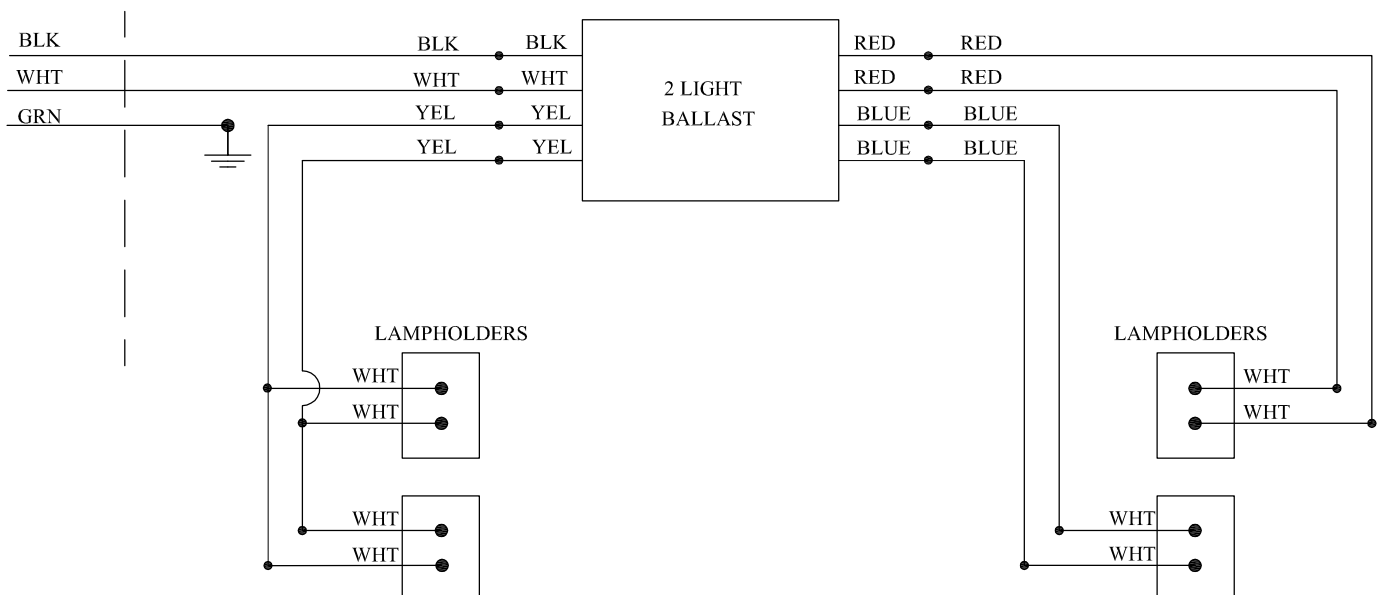
Removal

1. Be sure power is off.
2. Loosen and remove both end caps by turning counter-clockwise.
3. Remove the screw for the cap retaining cable to free the cable and replace the screw.
4. Dispose of the end caps.
5. Pull leads out to expose at each end.
6. Cut pigtailed loose, flush with connector at each end.
7. Loosen the (4) 1/4-20 bolts at each end that retain the assembly.
8. Be sure to support the assembly while completely removing the bolts.

Replacement

9. Remove the end caps from the new globe assembly by turning counter-clockwise.
10. Remove the screw for the cap retaining cable and replace it, supporting new end cap.
11. All machined surfaces of the fixture/globe must be clean and free of any debris or dirt.
12. Feed the wires from the fixture into the center hole of the globe assembly at each end.
13. Bolt the globe assembly in place, torque the bolts to a minimum 10 ft.lbs.
14. Strip (3/8") and reconnect the wires as per the wiring diagram, as each end is different.
15. Push wires back into the lamp housing.
16. Thread end caps onto globe assembly by turning clockwise until o-ring seals properly.
17. Reapply power.

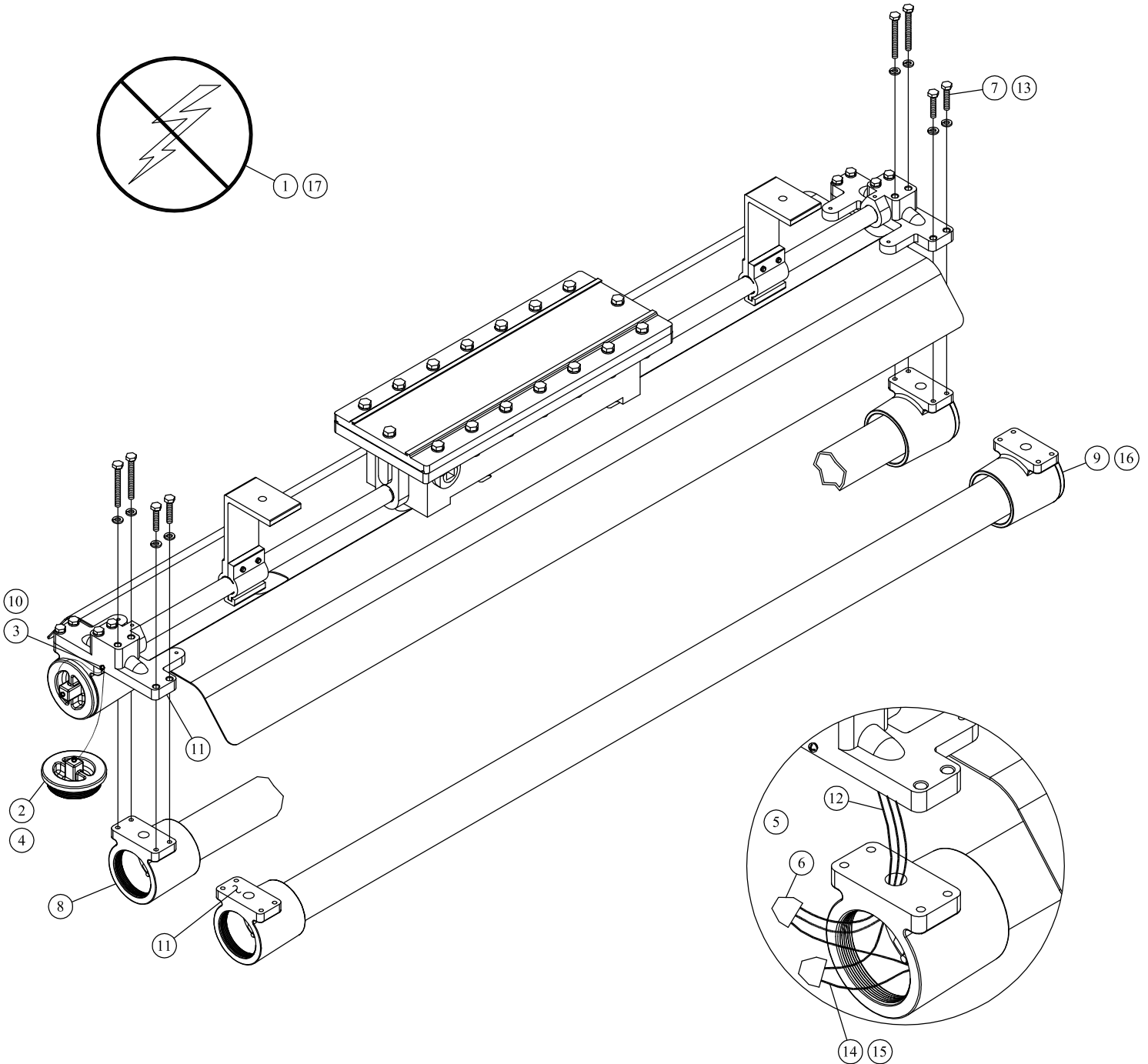
Wiring Diagram



FEPR GLOBE ASSEMBLY

Replacement Instructions

SAVE THESE INSTRUCTIONS FOR FUTURE REFERENCE



All statements, technical information and recommendations contained herein are based on information and tests we believe to be reliable. The accuracy or completeness thereof are not guaranteed. In accordance with Crouse-Hinds "Terms and Conditions of Sale", and since conditions of use are outside our control, the purchaser should determine the suitability of the product for his intended use and assumes all risk and liability whatsoever in connection therewith.