

RBF, VULCAN SERIES WIRE GUARD & VISOR OPTION

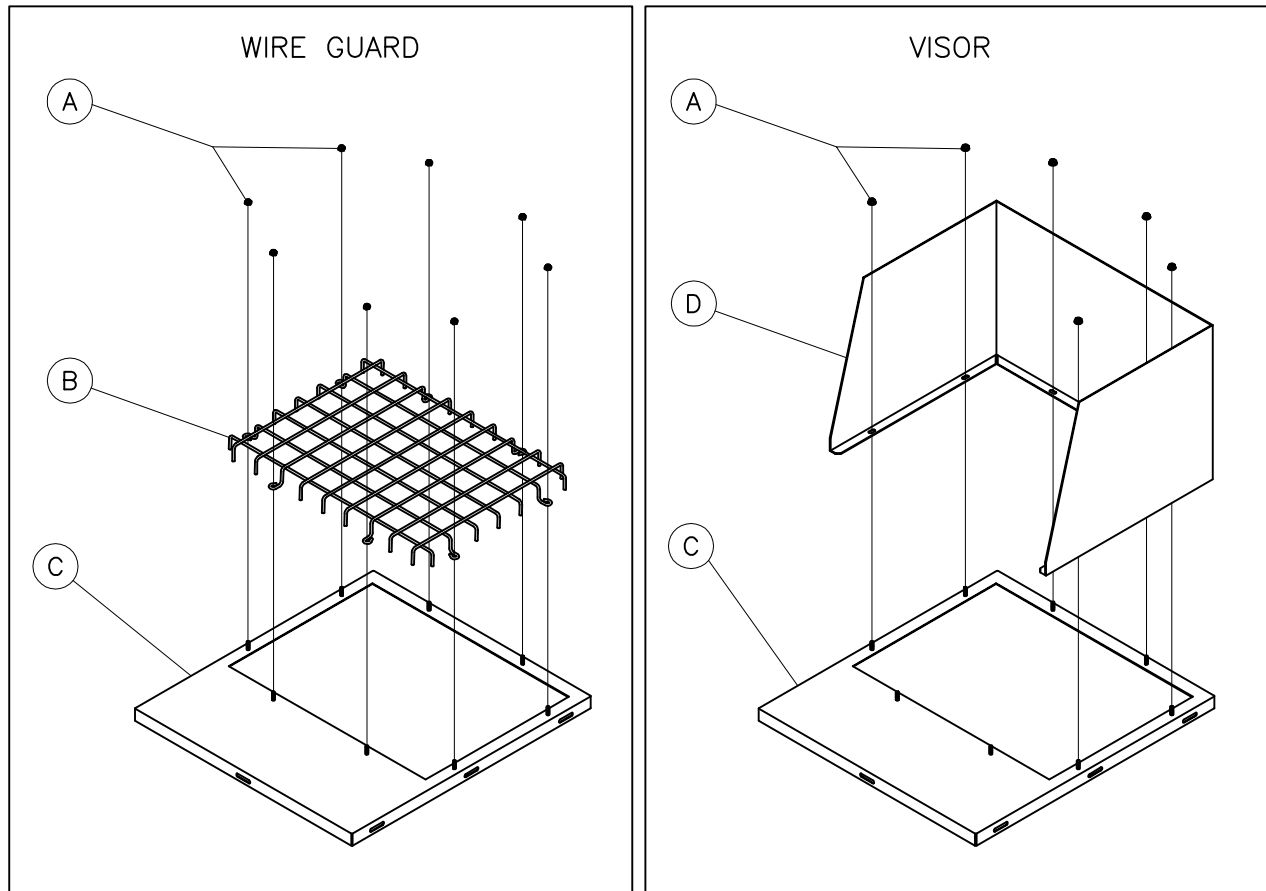
Installation Information

COOPER Crouse-Hinds
PAULUHN

IF LBL1360

SAVE THESE INSTRUCTIONS FOR FUTURE REFERENCE

RBF VULCAN SERIES FLOODLIGHT – WIRE GUARD & VISOR



TURN FIXTURE OFF PRIOR TO INSTALLING THE WIRE GUARD AND/OR VISOR.

NOTE: WIRE GUARD AND VISOR MAY BE INSTALLED TOGETHER.

1. UNPACK WIRE GUARD (B) AND/OR VISOR (D), AND HARDWARE (A).
2. THESE ACCESSORIES MUST BE USED WITH DOOR FRAME (C) SPECIFICALLY MANUFACTURED FOR THEM. IF THERE ARE NO STUDS, DO NOT ATTEMPT TO DRILL HOLES TO MOUNT. ANY FIXTURE MODIFICATION VOIDS THE WARRANTY.
3. ALIGN LOOPS ON WIRE GUARD AND/OR SLOTS ON VISOR WITH THE STUDS ON THE DOOR FRAME. HOLD ACCESSORY(IES) IN PLACE ON THE DOOR FRAME.
4. SECURELY INSTALL QTY (8) 10–32 SELF-LOCKING NUTS (A) ON THE STUDS. IF ONLY INSTALLING A VISOR, ONLY QTY (6) NUTS ARE NEEDED.

All statements, technical information and recommendations contained herein are based on information and tests we believe to be reliable. The accuracy or completeness thereof are not guaranteed. In accordance with Crouse-Hinds "Terms and Conditions of Sale", and since conditions of use are outside our control, the purchaser should determine the suitability of the product for his intended use and assumes all risk and liability whatsoever in connection therewith.