

746M SERIES INCANDESCENT & HALOGEN LUMINAIRES

COOPER Crouse-Hinds
PAULUHN

Installation & Maintenance Information

IF LBL1236

SAVE THESE INSTRUCTIONS FOR FUTURE REFERENCE

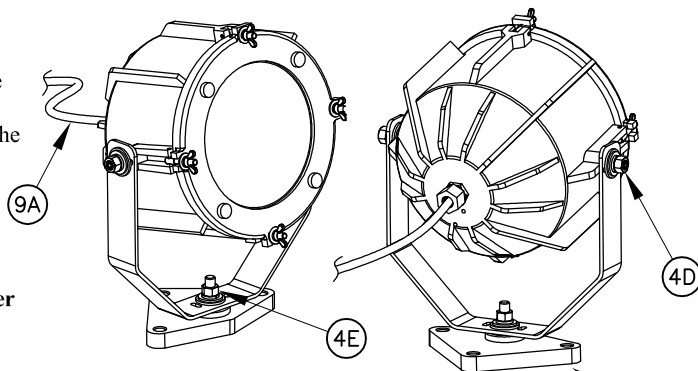
CAUTION Read carefully before installing and wiring the luminaire. Check the ratings to insure suitability for the area. Must be installed in accordance with the NEC (National Electrical Code) and all other applicable codes. Any warning or special instructions should be closely followed. Marine installations on boats should be done in accordance with the regulations of the USCG, CFR46, SUB CHAPTER J, PARTS 110-113.

All luminaires must be properly grounded. These luminaires are not suitable for hazardous locations. These luminaires are provided with one 1/2" NPT outlet with cable gland and six feet of 16/3 cable. Do not attempt to install this luminaire unless you are familiar with warnings, cautions and procedures outlined in this information sheet.

INSTALLATION & ELECTRICAL WIRING

WARNING Risk of electrical shock hazard, only qualified personnel should conduct this procedure!
Do not make electrical connections with the power ON. Disconnect supply circuit at least 30 minutes before opening fixture.

1. Select proper anchor and surface to support approximately 50 lbs. Mark surface and prepare it to accept the light fixture base (1B) using the mounting hole dimensions shown below.
2. Using 1/2-inch diameter fasteners (Qty. 3x not provided), mount the fixture base (1B) to the prepared surface. Fasteners should include washers and lock washers or locknuts to eliminate loosening during vibration. Make sure that the fasteners are corrosion resistant, if necessary. Securely tighten the mounting fasteners.

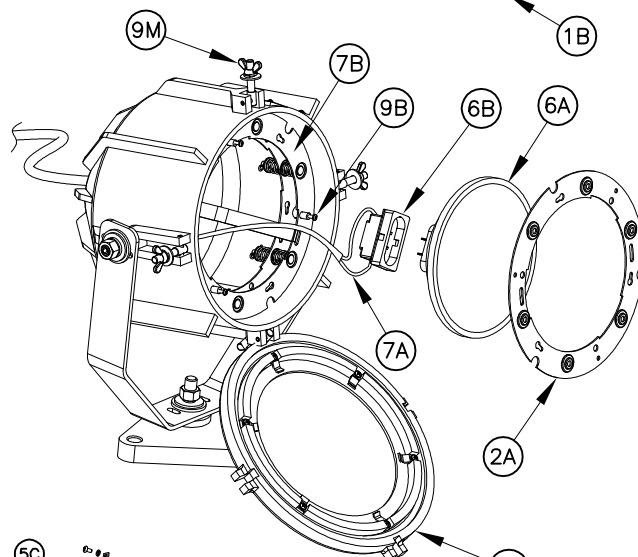


- CAUTION** See nameplate for voltage & frequency requirements!
If supply cable (9A) is replaced: Use cu or cu clad wire only, rated for min. 90°C. Cover all supply wire inside fixture with fiberglass thermal sleeve (Grade A - Class F, rated 155°C) provided. Use proper cable gland grommet for a watertight seal around cable (9A).
3. Install the free end of the supplied power cable (9A) into an approved and appropriate junction box.
 4. Connect L1 or hot lead to black wire. Connect L2 or neutral to the common white wire. Connect ground wire to green ground wire.

AIMING

CAUTION Do not aim fixture toward combustible surface. If aiming position must be readjusted, use caution, as external surfaces may become extremely hot.

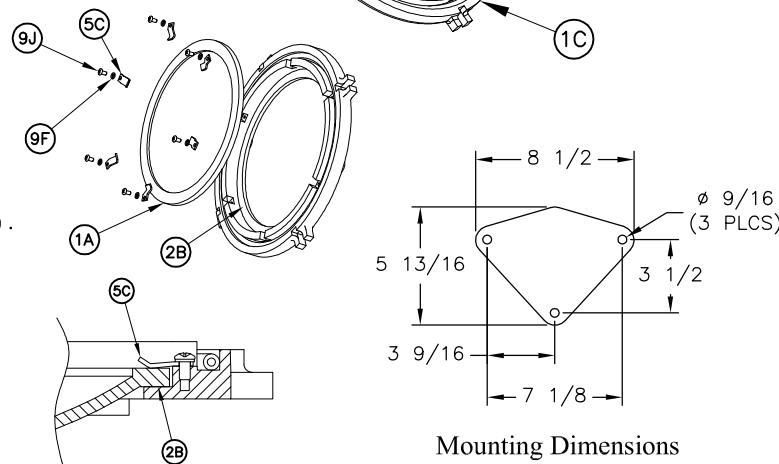
1. Vertically - Loosen the side locking nuts (4D), aim to desired vertical angle, and securely tighten side nuts.
2. Horizontally - Loosen the center locking nut (4E) on the u-bracket, rotate to desired horizontal angle and securely tighten the nut.



LAMP REPLACEMENT

CAUTION Use only Par56 lamp for G16d lampholder (Mogul end prong base). Do not exceed max. wattage rating indicated on the luminaire label. Exceeding this can cause over heating, premature failure and be dangerous.

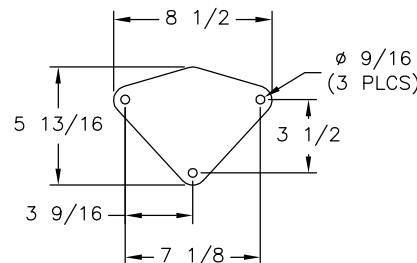
1. Open lens assembly (1C) by loosening each wing nuts (9M). Rotate wing nuts and disengage lens assembly.
2. Loosen screws (9B) (3x, #6-32). Rotate and remove lamp ring (2A).
3. Disconnect lamp (6A) from lampholder (6B).
4. Connect new lamp to lampholder (6B). Making sure lamp base is properly engage.
5. Position new lamp inside housing. Making sure lampholder wires (7A) are inside housing behind lamp support assembly (7B).
6. Reassemble lamp ring (2A) to lamp support assembly (7B).
7. Reassemble lens frame assembly (1C) to housing and tighten each wing nuts (9M).



LENS REPLACEMENT

Use only replacement parts provided by PAULUHN.

1. Loosen and remove 6x, screws (9J), lock washers (9F) and lens clips (5C).
2. Remove broken or damaged lens (1A).
3. Remove and clean remaining silicone sealant from frame surface (2B).
4. Apply a generous and continuous bead of silicone sealant on surface (2B).
5. Install lens (1A) with dome facing outward.
6. Reassemble lens clips (5C) in proper orientation (see illustration) using screws (9J) and lock washers (9F).
7. Clean excess silicone sealant with a wet cloth on front surface (3B).
8. Reassemble lens frame assembly (1C) to housing and tighten each wing nuts (9M).



Mounting Dimensions

All statements, technical information and recommendations contained herein are based on information and tests we believe to be reliable. The accuracy or completeness thereof are not guaranteed. In accordance with Crouse-Hinds "Terms and Conditions of Sale", and since conditions of use are outside our control, the purchaser should determine the suitability of the product for his intended use and assumes all risk and liability whatsoever in connection therewith.