

IPE CEILING MOUNT, EXACTA 700 SERIES

INCANDESCENT LUMINAIRES

Installation & Maintenance Information

SAVE THESE INSTRUCTIONS FOR FUTURE REFERENCE

CAUTION Read carefully before installing and wiring the luminaire.

These instructions include information for installation in both hazardous and ordinary locations. Any warning or special instructions should be closely followed. Hazardous area installations should be done in accordance with article 500 and 501 of the NEC or CEC. Intended for vertical mounting. Lamp base up only. Check the ratings to insure suitability for the area.

Must be installed in accordance with the NEC or CEC and all other applicable codes. All luminaires must be properly grounded. To reduce the risk of fire or explosion, do not install where the marked operating temperature exceeds the ignition temperature of the hazardous atmosphere. Disconnect the fixture from the supply circuit before opening. Keep tightly closed when in operation. These luminaires are provided with four 3/4" NPT knockouts. Do not attempt to install this luminaire unless you are familiar with warnings, cautions and procedures outlined in this information sheet.

INSTALLATION & ELECTRICAL WIRING

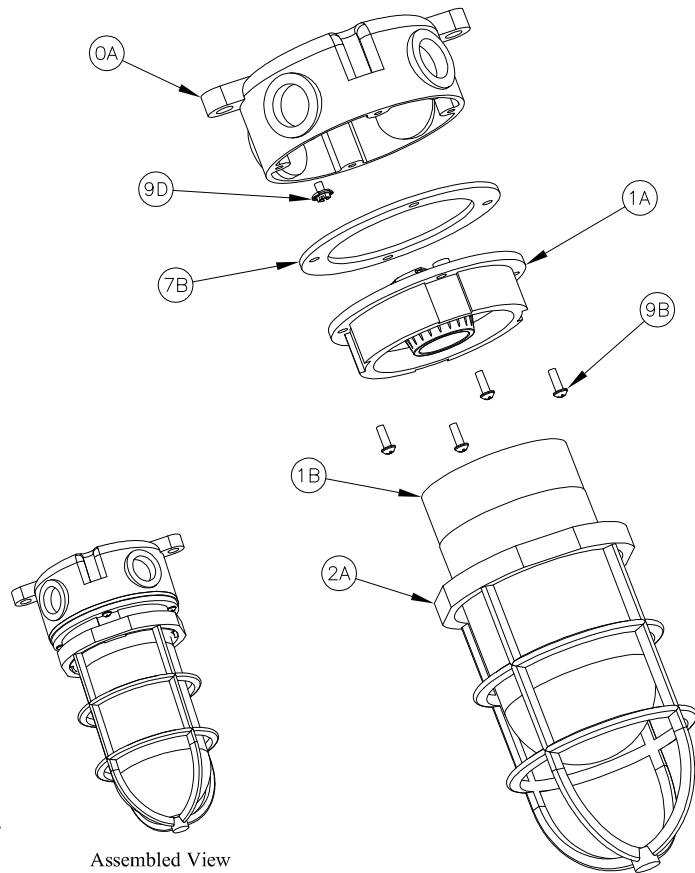
WARNING Risk of electrical shock hazard, only qualified personnel should conduct this procedure!

Do not make electrical connections with the power ON. Use cu or cu clad wire only, rated for 90°C.

1. Make (2) mounting holes at a 45° angle from vertical per illustration below. Mount the junction box (0A) in its intended location with (2) minimum size 1/4" bolts (not provided).
2. Install cable gland(s) (not provided) into the junction box (0A) and assure a proper seal as per the manufacturers instructions.
3. Strip the supply cable(s) jacket (not provided) back approximately 3".
4. Strip the insulation of the supply wires back approximately 3/8".
5. Route cable thru the gland and tighten as per the manufacturers instructions to create a proper seal on the cable. Attach ground wire to the green screw (9D) in junction box (0A).
6. Using connectors rated 90°C, connect the hot wire to black and the neutral to the white wire.
7. Push connections inside junction box (0A).
8. Align the holes in the base (1A) with the gasket (7B) and junction box (0A) holes. Install screws (9B) (qty 4, #8-32) in place and tighten to approximately 5 inch*lbs.

CAUTION Note maximum lamp wattage rating as indicated on the luminaire. Exceeding this can cause over heating, premature failure and be dangerous. The lampholder is rated for a maximum of 250 volts. The voltage of the lamp must correspond with the supply voltage.

9. Install the proper wattage lamp (not provided) into the lampholder, making sure the center contact of the lamp seats well into the lampholder.
10. Thread the glass globe (1B) clockwise into the base (1A), and tighten firmly by hand until the globe stops and seats well against the internal gasket.
11. Thread the guard (2A) on clockwise and tighten firmly by hand.

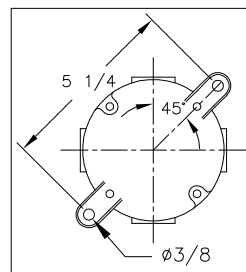


Assembled View

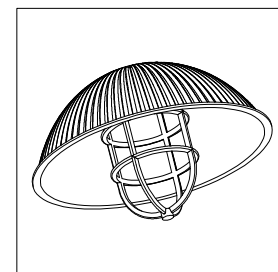
| Spare Parts | | |
|-------------|-------------------------|------------------|
| Item # | Description | Part Number |
| 7B | Junction Box Gasket | GKT101-0002 |
| 1B | Glass Globe | INX2007*see note |
| 2A | Plastic Guard | INXGP150 |
| 2A | Wire Guard | INXGW150 |
| - | Incandescent Lampholder | INX755-0930 |

*Add one of the following suffixes to the part number above to obtain the proper globe:

Clear - CLR Red - RED Green - GRN
Blue - BLU Amber - YEL Clear HR - HR



Mounting Dimensions



Option "RP" Prismatic Reflector

All statements, technical information and recommendations contained herein are based on information and tests we believe to be reliable. The accuracy or completeness thereof are not guaranteed. In accordance with Crouse-Hinds "Terms and Conditions of Sale", and since conditions of use are outside our control, the purchaser should determine the suitability of the product for his intended use and assumes all risk and liability whatsoever in connection therewith.