

## Installation & Maintenance Information

**IF LBL1415**

### SAVE THESE INSTRUCTIONS FOR FUTURE REFERENCE

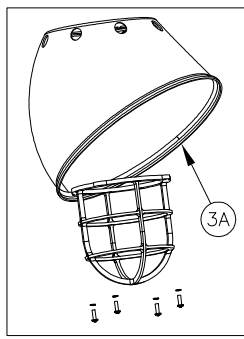
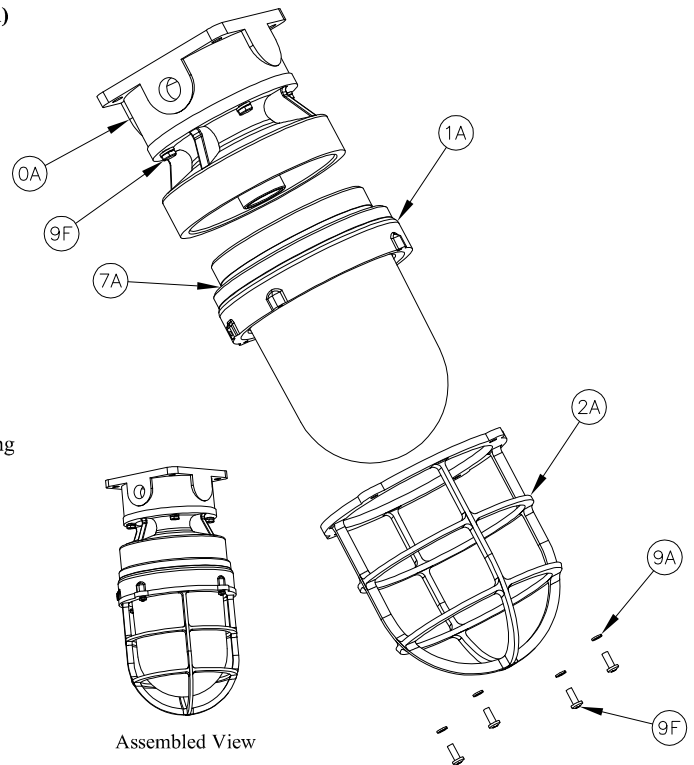
**CAUTION** Read carefully before installing and wiring the luminaire. These instructions include information for installation in both hazardous and marine locations. Any warning or special instructions should be closely followed. Marine installations on boats should be done in accordance with the regulations of the USCG, CFR46, SUB CHAPTER J, PARTS 110-113. Hazardous area installations should be done in accordance with article 500 and 501 of the NEC. Intended for vertical mounting. Lamp base up only. Check the ratings to insure suitability for the area.

Must be installed in accordance with the NEC (National Electrical Code) and all other applicable codes. All luminaires must be properly grounded. To reduce the risk of fire or explosion, do not install where the marked operating temperature exceeds the ignition temperature of the hazardous atmosphere. Disconnect the fixture from the supply circuit before opening. Keep tightly closed when in operation. These luminaires are provided with one 1/2" NPT outlet as standard. Fixture can be supplied with up to four 3/4" NPT outlets. Do not attempt to install this luminaire unless you are familiar with warnings, cautions and procedures outlined in this information sheet.

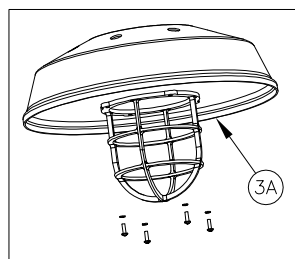
### INSTALLATION & ELECTRICAL WIRING

**WARNING** Risk of electrical shock hazard, only qualified personnel should conduct this procedure! Do not make electrical connections with the power ON. Use cu or cu clad wire only, rated for 105°C. To reduce risk of ignition of hazardous atmospheres, 3/4 inch conduit runs must have a sealing fitting installed at conduit entry.

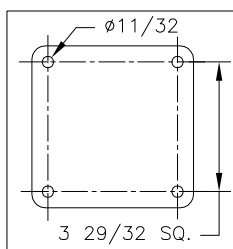
1. Make (4) mounting holes locations as per illustration below. Mount the housing (0A) in its intended location with (4) minimum size 1/4" bolts (not provided).
  2. Route supply cable(s) (not provided) thru conduit or fitting (not provided).
  3. Strip the supply cable(s) jacket back. Strip the insulation of ground and supply wires.
  4. Using connectors rated 105°C, connect ground wire to green wire or green ground screw, the hot wire to black and the neutral to the white wire.
  5. If bolts (9F) must be removed for wiring purposes, be sure both surfaces are clean and free of debris prior to reassembly. Tighten bolts to approx. 8-10 ft\*lbs.
  6. Install conduit or fitting into housing (0A) and tighten to assure proper seal.
- CAUTION** Note maximum lamp wattage rating as indicated on the luminaire. Exceeding this can cause over heating, premature failure and be dangerous. The lampholder is rated for a maximum of 600 volts. The voltage of the lamp must correspond with the supply voltage.
7. Install the proper wattage lamp (not provided) into the lampholder, making sure the center contact of the lamp seats well into the lampholder.
  8. Thread the glass globe assembly (1A) clockwise into the housing (0A), and tighten firmly by hand until the globe assembly stops and compress gasket (7A).
  9. Luminaire with reflector: Align reflector (3A) in desired position and with mounting holes on globe assembly (1A).
  10. Install screws (9F) (qty 4, #10-24), passing thru washer (9A), guard (2A), reflector (3A) and tighten into globe assembly to approx. 12-15 in\*lbs. For aluminum fixtures, apply the lubricant provided to the screw threads.



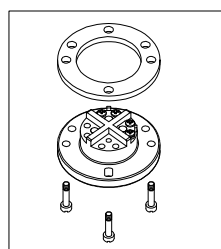
Angled Reflector



Shallow Dome Reflector



Mounting Dimensions



Option "SP" for shock proof lamp holder

Spare Parts		
Item #	Description	Part Number
-	Lampholder	INX4000
1A	60-100 watt Globe Assembly	INX9005A or B
1A	100-200 watt Globe Assembly	INX9012A or B *see note
2A	60-100 watt Globe Guard	INX1004A or B **see note
2A	100-200 watt Globe Guard	INX1005A or B **see note
3A	60-100 watt Shallow Reflector	INX4543
3A	60-100 watt Angled Reflector	INX4538
3A	100-200 watt Shallow Reflector	INX4556
3A	100-200 watt Angled Reflector	INX4540

\*Add one of the following suffixes to the part number above to obtain the proper globe:  
 Clear - BLANK    Blue - B    Green - G  
 Red - R    Yellow - Y  
 \*\*A = Aluminum    B = Brass

All statements, technical information and recommendations contained herein are based on information and tests we believe to be reliable. The accuracy or completeness thereof are not guaranteed. In accordance with Crouse-Hinds "Terms and Conditions of Sale", and since conditions of use are outside our control, the purchaser should determine the suitability of the product for his intended use and assumes all risk and liability whatsoever in connection therewith.