

# 767N & 768N SERIES INCANDESCENT LUMINAIRES

## Installation & Maintenance Information

### SAVE THESE INSTRUCTIONS FOR FUTURE REFERENCE

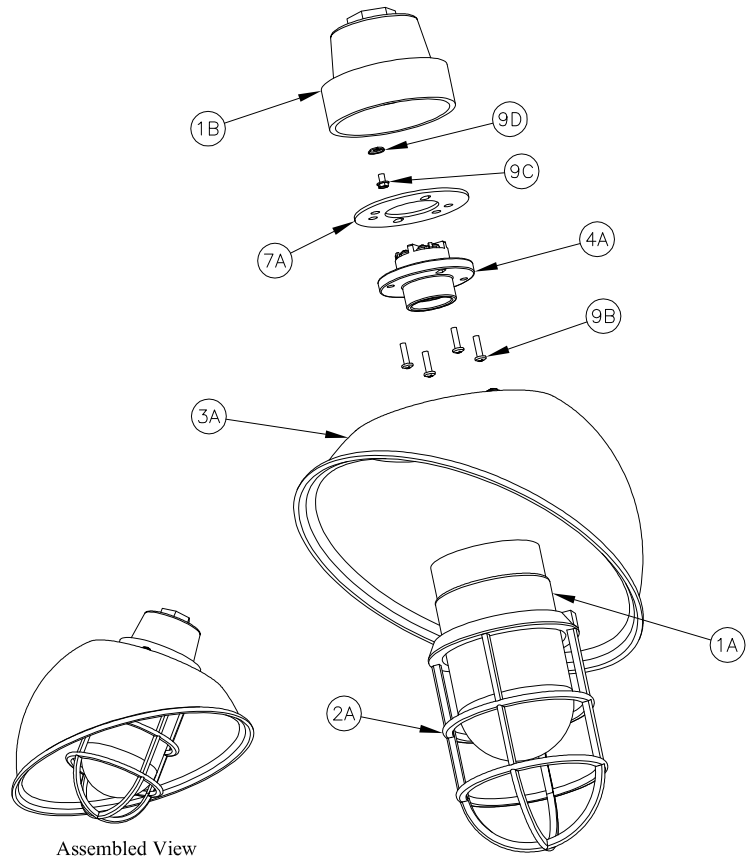
**CAUTION** Read carefully before installing and wiring the luminaire. Check the ratings to insure suitability for the area. Must be installed in accordance with the NEC (National Electrical Code) and all other applicable codes. All luminaires must be properly grounded. These luminaires are not suitable for hazardous locations. These luminaires are provided with one 1/2" NPT outlet as standard.

A 3/4" NPT drilled outlet is available as an option. Do not attempt to install this luminaire unless you are familiar with warnings, cautions and procedures outlined in this information sheet.

### INSTALLATION & ELECTRICAL WIRING

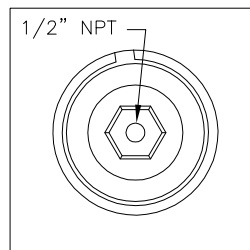
**WARNING** Risk of electrical shock hazard, only qualified personnel should conduct this procedure! Do not make electrical connections with the power ON. Use cu or cu clad wire only, rated for 105°C.

1. Install conduit or fitting (not provided) into the junction box (1B) and tighten to assure a proper seal.
  2. Strip the supply cable(s) jacket (not provided) back approximately 6".
  3. Route cable inside the conduit and into junction box. Attach ground wire to the green screw (9C) in junction box (1B).
  4. Install gasket (7A) into the junction box (1B) and align the (4) holes to accept the lampholder screws (9B).
  5. Strip the insulation of the supply wires back approximately 3/8".
  6. On the back of the lampholder (4A), connect the black hot lead(s) to the dark colored screws contacts, connect the white neutral lead(s) to the light colored screw contacts. Tighten screws to approximately 8-10 in/lbs.
  7. Install screws (9B) (qty 4, #8-32), passing them thru the lampholder (4A), gasket (7A) and thread into the junction box (1B). Tighten to approximately 10 in/lbs. For aluminum fixtures, apply the lubricant provided to the screw threads.
  8. Thread reflector (3A) clockwise onto the junction box (1B) and tighten firmly by hand.
- CAUTION** Note maximum lamp wattage rating as indicated on the luminaire. Exceeding this can cause over heating, premature failure and be dangerous. The lampholder is rated for a maximum of 600 volts. The voltage of the lamp must correspond with the supply voltage.
9. Install the proper wattage lamp (not provided) into the lampholder, making sure the center contact of the lamp seats well into the lampholder.
  10. Thread the glass globe (1A) clockwise into the junction box (1B), and tighten firmly by hand until the globe stops and seats well against the internal gasket (7A).
  11. Align reflector (3A) in desire position.
  12. Thread the guard (2A) clockwise into base (1B). Tighten firmly by hand to secure guard and reflector in position. For aluminum fixtures, apply the lubricant provided to the threads of the guard. (Luminaires with option "PG" plastic globes, the guard (2A) is not provided)

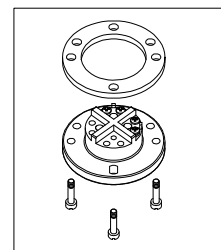


Assembled View

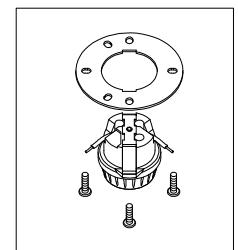
Spare Parts		
Item #	Description	Part Number
7A	100 & 150 watt Globe Gasket	GKT2002SIL
7A	200 watt Globe Gasket	GKT2009SIL
7A	300 watt Globe Gasket	GKT1149SIL
4A	Lampholder	INX4000
1A	100 watt 6" Globe	INX2006* see note
1A	150 watt 7" Globe	INX2007* see note
1A	200 watt 8" Globe	INX2008* see note
1A	300 watt 9" Globe	INX2009* see note
2A	100 & 150 watt Guard	INX1037A or B**
2A	200 watt Guard	INX1038A or B**
2A	300 watt Guard	INX1020A or B**
3A	Reflector Angle Dome 100 & 150 watt	INX4539A or B**
3A	Reflector Angle Dome 200 watt	INX4541A or B**
3A	Reflector Angle Dome 300 watt	INX4542A or B**



Mounting Dimensions



Option "SP" for shock proof lamp holder



Option "P" for porcelain lampholder

\*Add one of the following suffixes to the part number above to obtain the proper globe:  
 Clear - CLR Blue - BLU Clear HR - HR  
 Frosted - FST Green - GRN Red - RED  
 Yellow - YEL  
 \*\*A = Aluminum B = Brass

All statements, technical information and recommendations contained herein are based on information and tests we believe to be reliable. The accuracy or completeness thereof are not guaranteed. In accordance with Crouse-Hinds "Terms and Conditions of Sale", and since conditions of use are outside our control, the purchaser should determine the suitability of the product for his intended use and assumes all risk and liability whatsoever in connection therewith.