



## EXL Series Exit Signs

## Installation & Maintenance Information

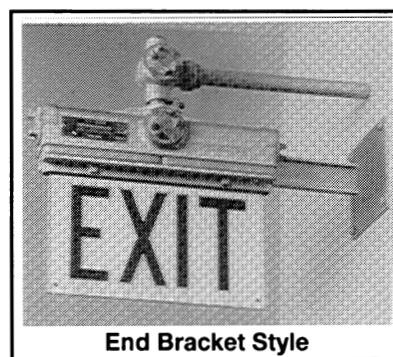
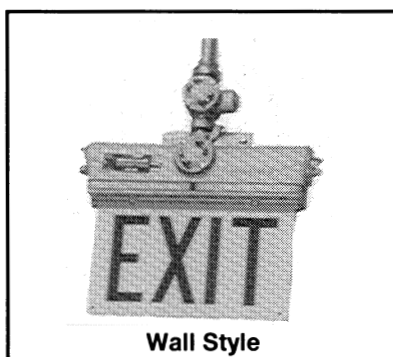
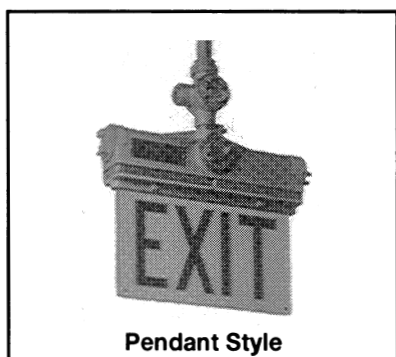
### APPLICATION

EXL Series exit signs are used in locations classified as hazardous due to the presence of flammable vapors or gases or combustible dust. They are suitable for use in Class I, Division 1, Groups C and D and Class II, Division 1, Groups E, F and G hazardous (classified) locations as defined by the National Electric Code® (NEC). The fixture "T" number is T3C (160°C). DO NOT install where marked operating temperature exceeds the ignition temperature of the hazardous atmosphere.

EXL Series exit signs are designed for pendant mounting, wall mounting or bracket mounting. A lamp wrench is shipped with each fixture to be used for installing or changing lamps. Maximum ambient temperature is 25°C (77°F).

EXL Series exit signs should be installed, inspected and maintained by qualified and competent personnel.

### TYPICAL INSTALLATIONS



### INSTALLATION

#### WARNING

Electrical Power **must be** turned off before and during installation and maintenance.

#### Pendant Mount: (See Figure 1)

1. Loosen set screws in coupling (1), then push smaller end over end of conduit. Tighten set screw just enough to hold coupling (1) in place on conduit.
2. Attach upper hub of junction box (3) to the conduit. Tighten plug (8) securely into unused hub.

#### CAUTION

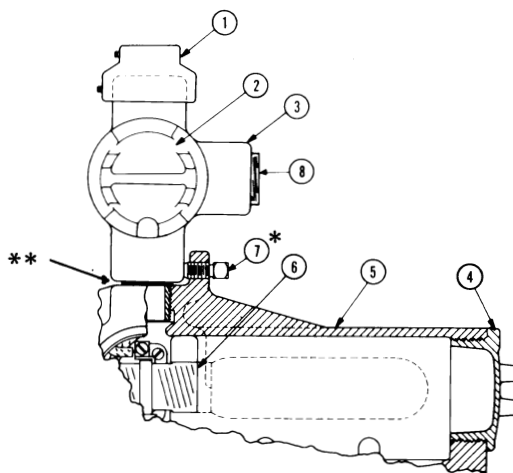
All unused conduit openings must be plugged. Plug and conduit must engage a minimum of five full threads. Plug must be a minimum of 1/8 inch thick.

3. Loosen set screw in coupling (1) and drop coupling down over upper hub of junction box (3). Tighten both set screws in coupling (1) securely.
4. Remove cover (2) and pull all supply wires into junction box (3). Connect fixture wires to supply wires using methods that comply with NEC and any local standards. Replace cover (2). Use supply wire with a minimum 125°C temperature rating.

#### CAUTION

Do not use fixture on ungrounded circuits.

5. Remove covers (4) at each end of fixture (5). Install a lamp (not provided) in receptacle (6) at each end using lamp wrench supplied with fixture. Replace covers (4) tightening them securely. Refer to **Fixture Lamps** Section following.
6. To position sign, loosen set screw (7) and rotate fixture until it is in the desired location then securely tighten set screw (7).



\* This set screw must be tightened securely at time of installation and should be checked periodically to be certain that it remains tight.

\*\* Space between junction box and fixture must not be more than 1/8" on all fixtures.

Figure 1

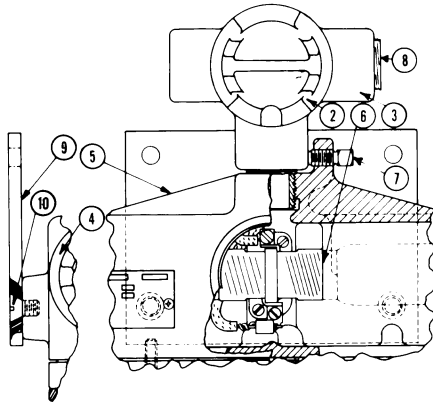


Figure 2

**Wall Mount: (See Figure 2)**

1. Attach wall mounting plate (9) to wall in desired position using two 5/16 inch bolts or lag screws (not provided).

**NOTE:** Fastening screws (10) must be securely tightened through mounting plate (9) into fixture (5) before installation.

2. Attach conduit to either end hub of junction box (3), or both ends, if through feed is required. Install and securely tighten plug (8) into any unused hub. Tighten set screw (7).

**CAUTION**

All unused conduit openings must be plugged. Plug and conduit must engage a minimum of five full threads. Plugs must be a minimum of 1/8 inch thick.

3. Remove cover (2) of junction box (3) and pull all supply wires into junction box (3). Connect fixture wires to supply wires using methods that comply with NEC and any local standards. Replace cover (2). Use supply wire with a minimum 125°C temperature rating.

**CAUTION**

Do not use fixture on ungrounded circuits.

4. Remove covers (4) at each end of fixture (5). Install a lamp (not provided) in receptacle (6) at each end using lamp wrench supplied with fixture. Replace covers (4) tightening them securely. Refer to **Fixture Lamps** Section following.

**Bracket Mount: (See Figure 3)**

1. Attach end bracket (11) to wall in desired position using four 5/16 inch bolts or lag screws (not provided).
2. Attach fixture (5) to end bracket (11) using two 5/16 inch round head screws with washers (10) provided.
3. Attach conduit to either end hub of junction box (3) or both ends, if through feed is required. Install and securely tighten plug (8) into any unused hub. Tighten set screw (7).

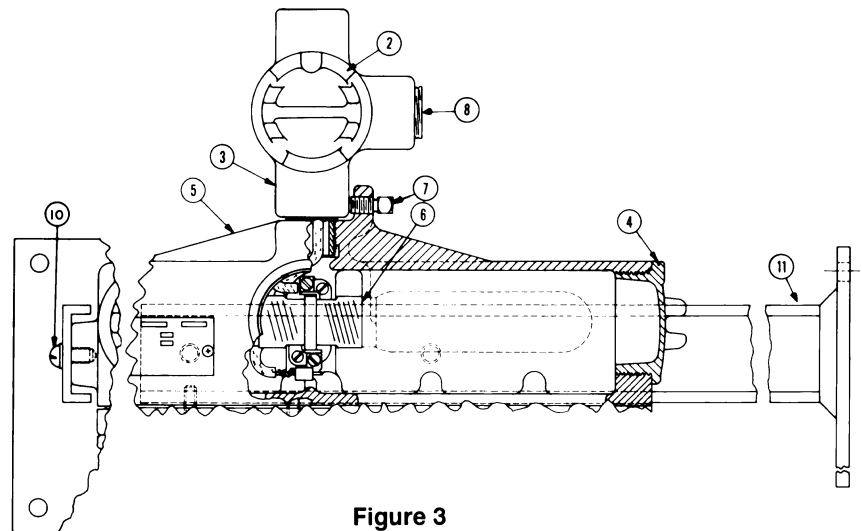


Figure 3

**CAUTION**

All unused conduit openings must be plugged. Plug and conduit must engage a minimum of five full threads. Plugs must be a minimum of 1/8 inch thick.

4. Remove cover (2) of junction box (3) and pull all supply wires into junction box (3). Connect fixture wires to supply wires using methods that comply with NEC and any local standards. Replace cover (2). Use supply wire with a minimum 125°C temperature rating.

**CAUTION**

Do not use fixture on ungrounded circuits.

5. Remove covers (4) at each end of fixture (5). Install lamps (not provided) in receptacle (6) at each end using lamp wrench supplied with fixture. Replace covers (4) and tighten them securely. Refer to **Fixture Lamps** Section following.

**FIXTURE LAMPS AND LAMP REPLACEMENT**

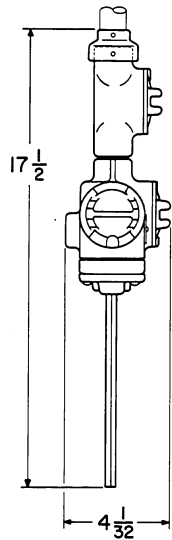
**CAUTION**

All burned out lamps **MUST** be replaced immediately. Failure to relamp will reduce visibility

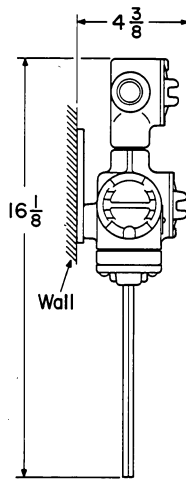
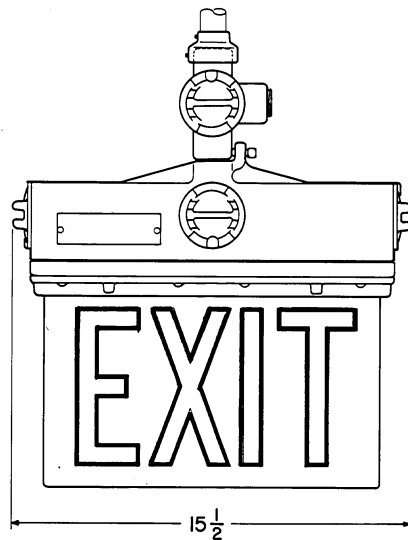
For EXL Series fixtures: To maintain required light and visibility level, relamp only with clear 60 watt, 120 V lamps, type 60T10/64.

For EXLD Series fixtures: To maintain required light and visibility level, relamp only with clear 25 watt, 120 V lamps, type 25T10.

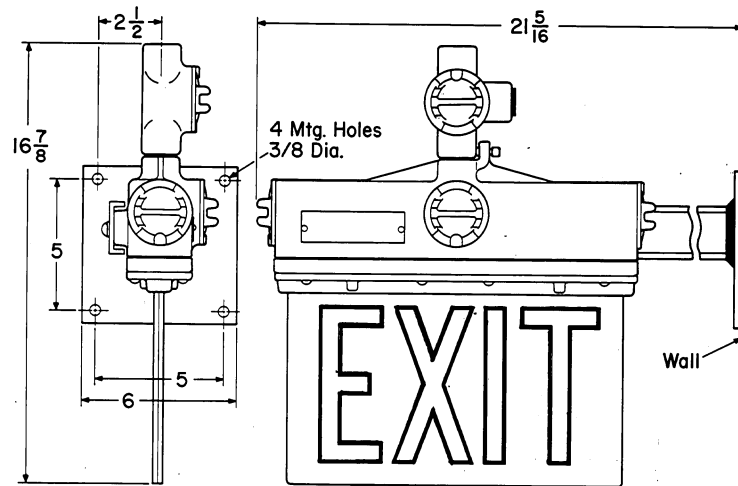
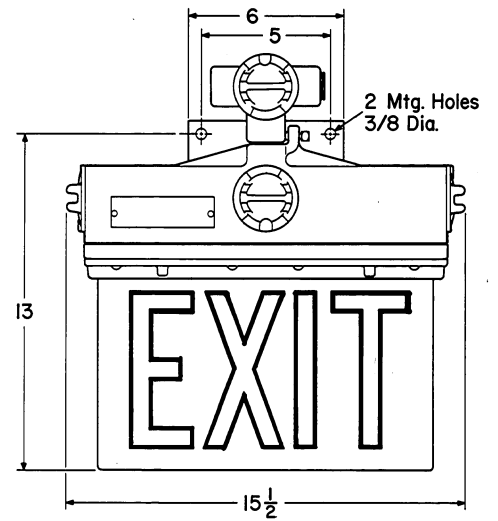
## DIMENSIONS



**Pendant Style**



**Wall Style**



**End Bracket Style**

## MAINTENANCE

### WARNING

Electrical Power **must be** turned off before and during installation and maintenance.

- Perform visual, electrical and mechanical inspections on a regular basis. This should be determined by the environment and frequency of use, however, it is recommended that checks should be made at least once a year.

- The surfaces of the sign should be cleaned periodically to insure continued legibility. To clean, wipe surfaces of the sign using a clean, soft cloth dampened with water only. Dry using a clean, dry, soft cloth. Visibility will be reduced if sign is not properly cleaned and maintained.

### CAUTION

Do not use an abrasive, strong alkaline or acid cleaner as damage to the acrylic surface will result.

---

*All statements, technical information and recommendations contained herein are based on information and tests we believe to be reliable. The accuracy or completeness thereof are not guaranteed. In accordance with Crouse-Hinds "Terms and Conditions of Sale", and since conditions of use are outside our control, the purchaser should determine the suitability of the product for his intended use and assumes all risk and liability whatsoever in connection therewith.*

---



Cooper Industries Inc.  
Crouse-Hinds Division  
PO Box 4999, Syracuse, New York 13221 • U.S.A.

IF479  
Revised 4/93  
Supersedes 6/82  
Copyright© 1993, Cooper Industries, Inc.