

# EV SERIES LIGHTING FIXTURES INCANDESCENT FOR HAZARDOUS LOCATIONS

## Installation & Maintenance Information

**IF 243**

**SAVE THESE INSTRUCTIONS FOR FUTURE REFERENCE**

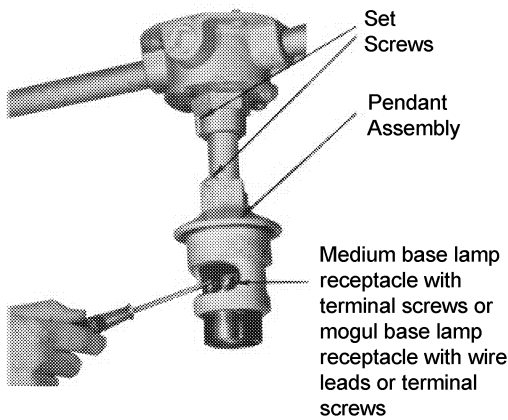


Figure 1 - EVA Series  
Pendant Mount

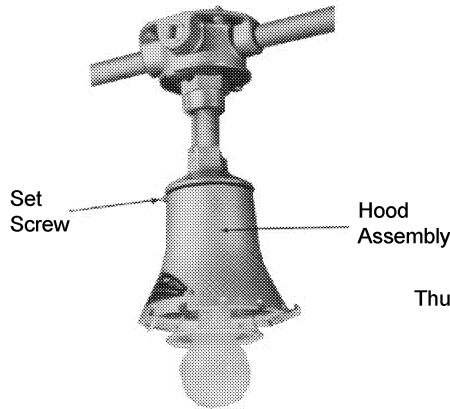


Figure 2

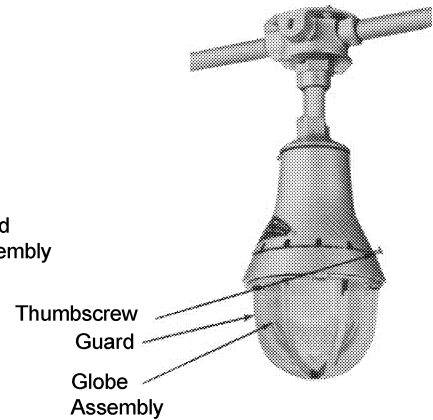
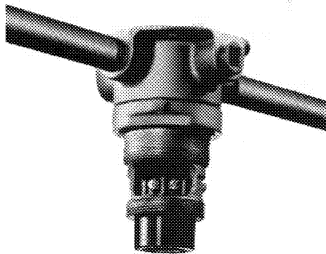
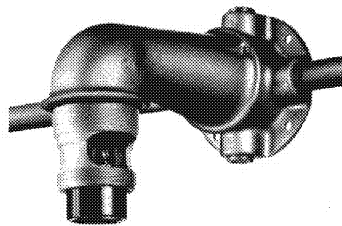


Figure 3

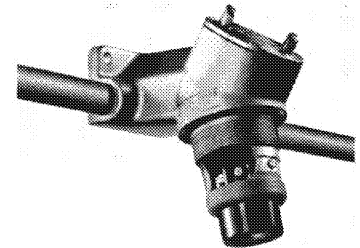
### MOUNTING METHODS EV SERIES FIXTURES



EVCX Series  
Ceiling Mount



EVBX Series  
Bracket Mount



EVJ Series  
Bulkhead Mount

### INSTALLATION

#### **⚠ WARNING**

To avoid electrical shock, be certain that power is **OFF** before starting installation.

1. Remove pendant assembly.
2. Install pendant assembly on conduit (Fig. 1). Other mounting assemblies are shown in photos above.
3. Tighten set screw in pendant hub to secure pendant to conduit. Check set screw in junction box hub to insure that it is secured to conduit. Tighten set screws on thread adaptor, if used.
4. Attach field wiring to medium base receptacle terminal screws or to the fixture leads from the mogul base receptacle.
5. Separate globe assembly from hood assembly by loosening thumbscrew on hood assembly and unscrewing globe assembly (Fig. 3).
6. Install hood assembly on pendant assembly (Fig. 2).
7. Tighten set screw at top of hood assembly to secure hood to pendant assembly.
8. Install proper lamp in lampholder. (See name plate)

9. Install globe assembly on hood assembly.
10. Tighten thumbscrew located in hood assembly.

#### **⚠ NOTE**

The globe assembly should be backed off so thumbscrew enters closest notch in globe assembly to insure secure fastening (Fig. 3).

11. Assemble guard (optional) using three mounting screws furnished with the globe assembly.
12. Turn power on.

#### **⚠ WARNING**

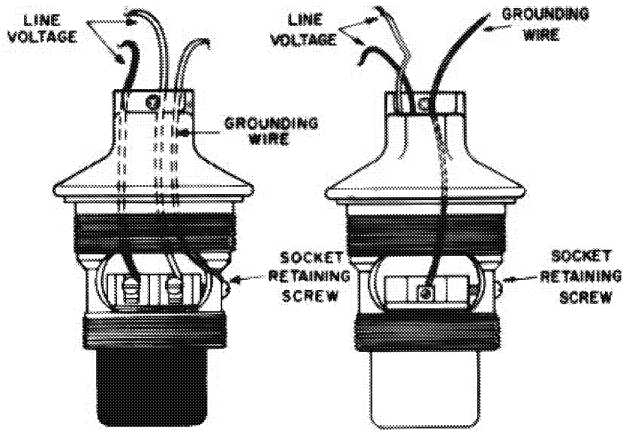
To prevent globe shattering, avoid scratching or chipping the tempered explosion-proof glass.

### WIRING RECOMMENDATIONS

Please follow wiring methods that comply with NEC and any local codes.

## GROUNDING

A grounding wire is installed as shown below.



## REPLACEMENT PARTS

1. Open EV replacement part kits.

### NOTE

The adapter affects the following mounting modules for EV series models M2 and M64 units; BX, CX and SJ. DO NOT USE ADAPTER TO HANG EVM SERIES HID FIXTURES.

2. Loosen set screw on hood assembly and remove hood and globe assembly.
3. Remove lampholder leads from lampholder and remove lampholder.
4. If BX, CX or SJ mounts for models "M2" or "M64" are utilized, use mounting module thread adapter with new mounts. Apply STL lubricant to all threads.
5. Install lampholder and wire leads to lampholder.
6. Follow installation instructions shown on the first page of this instruction sheet.

Max. Lamp Size	Style	Dia.	Catalog #
100 watt, A-19	Dome 30° Angle	12"	RD636 (RD63)
150 watt, A-21		12"	RA636 (RA63)
200 watt, A-23			
200 watt, A-25 and PS-25			
300 watt, PS-25			
200/300 watt, PS-30	Dome	16"	RD725* (RD72)
	30° Angle	16"	RA725* (RA72)
	High Bay	14 1/2"	EV2912*
300 watt, PS-35 500 watt, PS-40	Dome	16"	RD739* (RD73)
	30° Angle	16"	RA739* (RA73)
	High Bay	16 3/4"	EV3912*

\* These reflectors cannot be used on wall bracket or bulkhead fixtures.

Alzak is a registered trademark of ALCOA.

Max Lamp Size	Class I	Class II	Style	Hub Size	Pendant Mount	Ceiling Mount	Wall Bracket Mount	Bulkhead Mount	Stanchion Mount
	Groups C, D	Groups E, F, G			Cat. #	Cat. #	Cat. #	Cat. #	Cat. #
100W, (medium base) A-19			With guard	1/2" 3/4" 1 1/4"	EVA140 EVA240	EVCX140 EVCX240	EVBX140 EVBX240	EVJ140 EVJ240	
									EVSJ440
150W, (medium base) A-21 200W, A-23			With guard	1/2" 3/4" 1" 1 1/4"	EVA110 EVA210 EVA310	EVCX110 EVCX210	EVBX110 EVBX210	EVJ110 EVJ210	
									EVSJ410
200W, A-25 & PS-25 300W, PS-25** (medium base)		100W, A-21	With guard	1/2" 3/4" 1" 1 1/4"	EVA115 EVA215 EVA315	EVCX115 EVCX215	EVBX115 EVBX215	EVJ115 EVJ215	
									EVSJ415
200/300W, PS-30 (medium base)		150W, A-21	With guard	1/2" 3/4" 1" 1 1/4"	EVA120 EVA220 EVA320	EVCX120 EVCX220	EVBX120 EVBX220	EVJ120 EVJ220	
									EVSJ420
300W, PS-35 500W, PS-40** (mogul base)		200W, PS-30	With guard	1/2" 3/4" 1" 1 1/4"	EVA230 EVA330 EVA430	EVCX130 EVCX230	EVBX230		
									EVSJ430

All statements, technical information and recommendations contained herein are based on information and tests we believe to be reliable. The accuracy or completeness thereof are not guaranteed. In accordance with Crouse-Hinds "Terms and Conditions of Sale", and since conditions of use are outside our control, the purchaser should determine the suitability of the product for his intended use and assumes all risk and liability whatsoever in connection therewith.