

SAVE THESE INSTRUCTIONS FOR FUTURE REFERENCE

APPLICATION

Linear LED fixtures are suitable for use in the following hazardous (classified) locations as defined by the National Electrical Code (NEC®):

The assembled luminaire shall be installed in accordance with the National Electrical Code, NFPA70, and American Bureau of Shipping and Coast Guard CG-259 requirements. Install in accordance with 46CFR111.75-15 and 46CFR112 for emergency marine lighting.

NEC/CEC:

- Class I, Division 2, Groups A, B, C, D
- Class I, Zone 2
- Class II, Division 2, Groups F, G
- Class III
- Wet locations, IP66, Type 4X

These luminaire housings shall be used with UL Listed Crouse-Hinds hazardous locations luminaire fitting mounting means, Cat Nos. DP1052MTK,

DP1053MTK, DP1057MTK, DP1050MTK, DP1054MTK Kit, MP1054MTK A Kit, PM Kit 1.25, PM Kit 1.5, PM Kit 2.0, PEND HAZ KIT.

Refer to the emergency luminaire nameplate for specific classification information, maximum ambient temperature suitability and corresponding operating temperature (T-code).

Linear LED fixture construction is designed for use indoors and outdoors in marine and wet locations, where moisture, dirt, corrosion, vibration and rough usage may be present.

INPUT VOLTAGE:

- UNV1: 120-277 VAC

STORAGE ENVIRONMENT:

The DLL EM luminaire must be stored in an ambient from 0°C to +55°C. Store in a dry location.

IMPORTANT SAFEGUARDS – READ AND FOLLOW ALL SAFETY INSTRUCTIONS

When using electrical equipment, basic safety precautions should always be followed, including the following:

IMPORTANT

Emergency lighting system should be installed, inspected, operated and maintained by qualified and competent personnel.

WARNING

To avoid personal injury, electric shock, explosion or equipment failure:

- Do not use this equipment for other than intended use.
- Make sure the supply voltage is the same as the equipment voltage.
- Do not install where the marked operating temperatures exceed the ignition temperature of the hazardous atmosphere.
- Do not operate in ambient temperatures above those indicated on the equipment nameplate.
- Use proper supply wiring as specified on the equipment nameplate.
- Electrical power must be turned OFF before and during installation and maintenance. Keep tightly closed when in operation.
- In hazardous areas, install and seal all equipment in accordance with the National Electrical Code articles pertaining to hazardous (classified) locations, plus any other applicable codes.
- Install only wiring systems with an equipment grounding conductor (which may be the conduit system).
- Ensure area to be free of hazardous atmospheres before and during installation and maintenance.
- Do not use accessory equipment not recommended by the manufacturer.
- All gasket seals must be clean and undamaged.
- Use only replacement parts from Eaton's Crouse-Hinds Division.

WARNING

To avoid personal injury, explosion or equipment failure:

- Equipment should be mounted in locations and at heights where it will not readily be subjected to tampering by unauthorized personnel.
- Do not mount near heat-producing equipment.
- Explosion hazard: this luminaire is provided with a factory installed emergency LED driver. Do not disconnect equipment unless area is known to be non-hazardous.

CAUTION

To avoid personal injury or damage to the equipment, it is strongly suggested to use two (2) qualified tradespeople to install the equipment. To avoid burning hands, make sure the luminaire is cool when performing maintenance.

SAVE THESE INSTRUCTIONS

INSTALLATION

Maximum mounting height: 22 ft. (6.7 m)

MOUNTING KITS

A. DP1052MTK

1. Make sure the power is disconnected to the conduit system before installing the fixture.
2. Mark and drill holes for fastening end brackets. Use two (2) 1/4" bolts (not supplied) at center to center measurements (see Figure 1).
3. Fixture is now ready for mounting. It is strongly suggested to use two (2) qualified tradespeople to proceed with the final mounting of the fixture. This is recommended to avoid any personal injury or damage to the fixture.
4. For end mount side mounting brackets, it is recommended to mount one bracket first and then, while supporting the fixture, insert it into the mounted bracket, then attach the other bracket.

WARNING

Do not let the fixture hang or flex on one bracket at a time. Failing to comply will result in breakage of bracket and possible injury or death.

5. Aim the fixture to achieve desired light output and tighten the 1/4" set screws on brackets. Torque to 78 in.-lbs. (8.8 N-m).
6. Use set screw to limit rotation of the luminaire.

Length	Dimension	
	in.	mm.
A	52.3	1329
B	50.3	1278

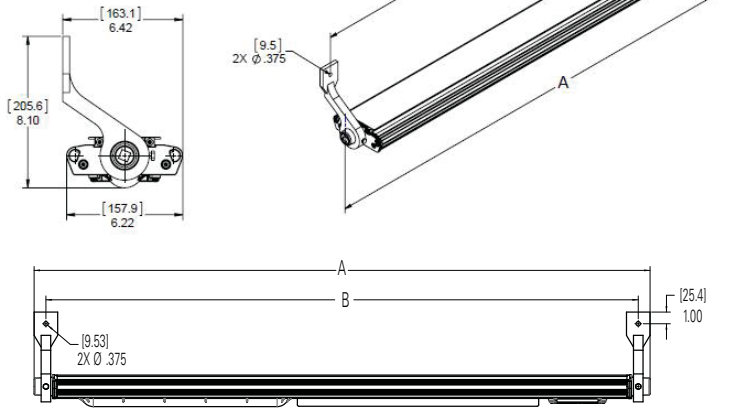


Figure 1. DP1052MTK Side Mount Installation

B. DP1053MTK

1. Make sure the power is disconnected to the conduit system before installing the fixture.
2. Mark and drill holes for fastening end brackets. Use two (2) 1/4" bolts (not supplied) at center to center measurements (see Figure 2).
3. Fixture is now ready for mounting. It is strongly suggested to use two (2) qualified tradespeople to proceed with the final mounting of the fixture. This is recommended to avoid any personal injury or damage to the fixture.
4. For end mount wall/ceiling mounting brackets, it is recommended to mount one bracket first and then, while supporting the fixture, insert it into the mounted bracket, then attach the other bracket.



WARNING

Do not let the fixture hang or flex on one bracket at a time. Failing to comply will result in breakage of bracket and possible injury or death.

5. Aim the fixture to achieve desired light output and tighten the 1/4" set screws on brackets. Torque to 78 in.-lbs. (8.8 N-m).
6. Use set screw to limit rotation of the luminaire.

Length	Dimension	
	in.	mm.
A	52.3	1329
B	47.0	1194

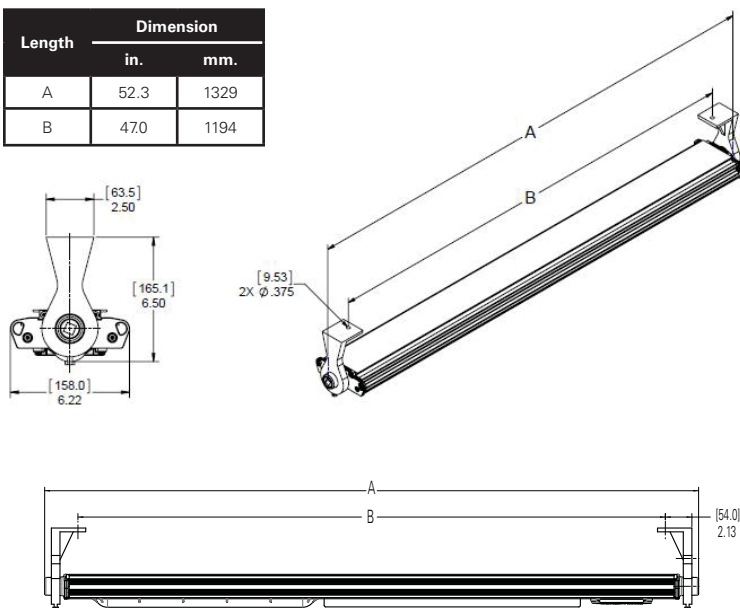


Figure 2. DP1053MTK Wall/Ceiling Mount Installation

C. DP1057MTK

1. Make sure the power is disconnected to the conduit system before installing the fixture.
2. For back mount, use the bracket as a template, mark and drill holes into the mounting surface and use supplied 5/16" bolts (see Figure 3).
3. Fixture is now ready for mounting. It is strongly suggested to use two (2) qualified tradespeople to proceed with the final mounting of the fixture. This is recommended to avoid any personal injury or damage to the fixture.
4. Slide the fixture into the mount bracket, engaging the flange on the top of the fixture and position it near the center.
5. Tighten the two (2) 1/4" set screws on the slide bracket until they bottom. Torque to 78 in.-lbs. (8.8 N-m).

Length	Dimension	
	in.	mm.
A	52.3	1329
B	18.2	462

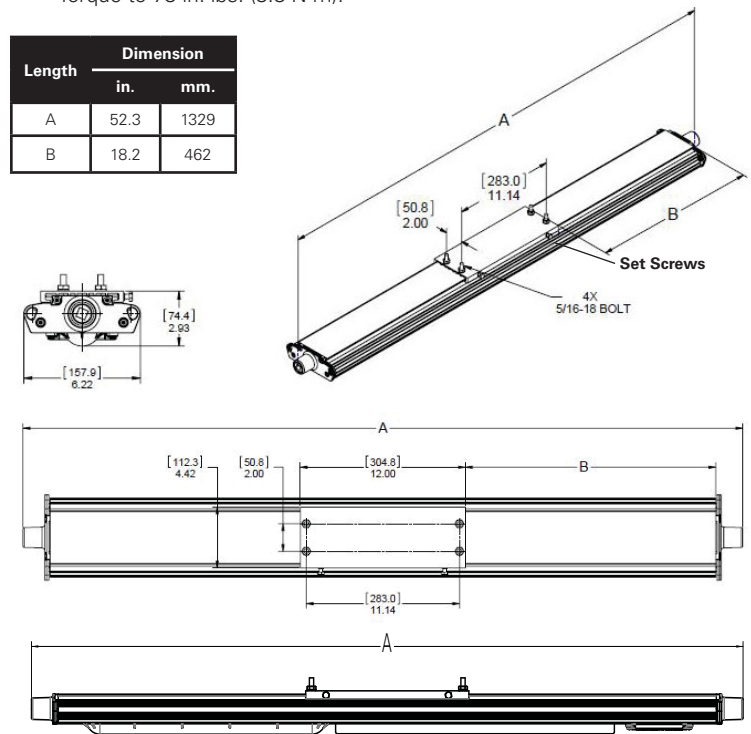


Figure 3. DP1057MTK Back Mount Installation

D. DP1050MTK

1. Make sure the power is disconnected to the conduit system before installing the fixture.
2. Mark and drill holes for fastening swivel brackets. Use two (2) 1/4" bolts (not supplied) at center to center measurements. For swivel brackets, holes may be spaced as required. It is recommended to keep them at least 12" (305mm) apart (see Figure 5).
3. Fixture is now ready for mounting. It is strongly suggested to use two (2) qualified tradespeople to proceed with the final mounting of the fixture. This is recommended to avoid any personal injury or damage to the fixture.
4. Slide the fixture into the mount brackets, engaging the flange on the top of the fixture and position it near the center.



WARNING

Do not let the fixture hang or flex on one bracket at a time. Failing to comply will result in breakage of bracket and possible injury or death.

5. Tighten the two (2) 1/4" set screws on each slide bracket until they bottom (see Figure 4). Torque to 78 in.-lbs. (8.8 N-m).
6. Adjust the position of the fixture to the desired angle and tighten the two (2) 5/16" pivot bolts. Torque to 138 in.-lbs. (15.6 N-m).

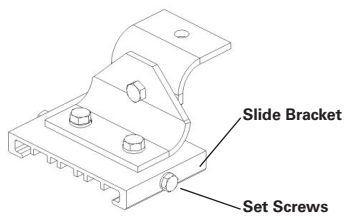


Figure 4. Swivel Mount Details

Length	Dimension	
	in.	mm.
A	52.3	1329
B	9-51	222-1289

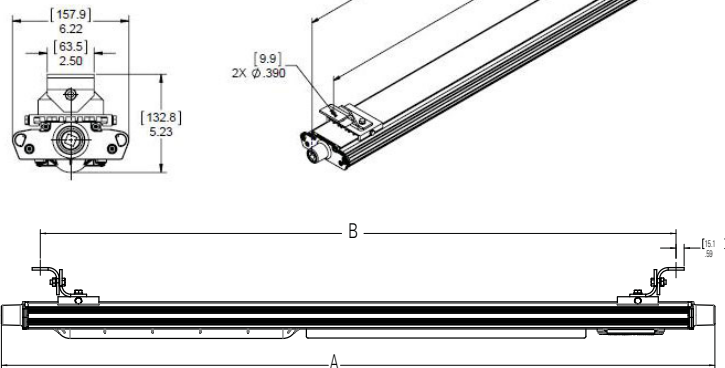


Figure 5. DP1050MTK Swivel Mount Installation

E. MP1054MTK KIT (includes channel adaptor and slide bracket)

1. Make sure the power is disconnected to the conduit system before installing the fixture.
2. Locate the MP1054MTK Kit brackets supplied in the kit. For retrofit, inspect the existing brackets and replace if necessary.
3. Mark and drill holes to install brackets to wall or ceiling with two (2) 1/4" bolts (not supplied). For MagnaPro, bracket holes may be spaced as required, it is recommended to keep them at least 12" (305mm) apart (see Figure 6).
4. Attach MP1054MTK Kit brackets to wall or ceiling. Make sure the brackets are parallel to each other.
5. Install one (1) channel adaptor with slide channel onto each MP1054MTK bracket. Slide the long edge of the channel adaptor into the slots on the bracket and tighten the two (2) Phillips head screws on the ends of each MP1054MTK Kit bracket. Make sure the slide brackets are parallel to each other (see Figure 7).
6. Fixture is now ready for mounting. It is strongly suggested to use two (2) qualified tradespeople to proceed with the final mounting of the fixture. This is recommended to avoid any personal injury or damage to the fixture.
7. Lift fixture into position and slide the fixture into the slide brackets, engaging the flange on the top of the fixture and position it near the center.



WARNING

Do not let the fixture hang or flex on one bracket at a time. Failing to comply will result in breakage of bracket and possible injury or death.

8. Tighten the two (2) 1/4" set screws on each slide bracket until they bottom (see Figure 7). Torque to 78 in.-lbs. (8.8 N-m).

Length	Dimension	
	in.	mm.
A	52.3	1329
B	24-46	610-1168

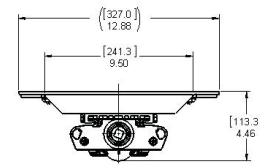


Figure 6. MP1054MTK Kit MagnaPro Mount Kit Installation

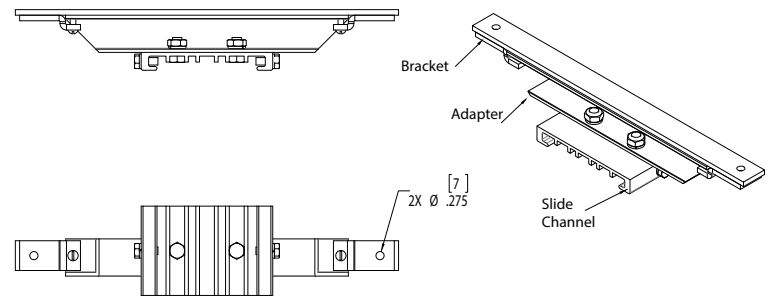


Figure 7. MP1054MTK Kit MagnaPro Mount Kit Details

MP1054MTK A Kit

Same as the MP1054MTK Kit, except Magnapro MP1054MTK brackets not included. If using this kit, follow the MP1054MTK Kit instructions starting from Step 5.

F. PM KIT - POLE MOUNT

1. Make sure the power is disconnected to the conduit system before installing the fixture.
2. Verify that the clamp internal diameter is consistent with the diameter of the pole prior to installation. Clamps are available in 1.65 (42mm), 2.00 (51mm) and 2.36 (60mm) sizes.
3. Pole mount brackets may be spaced as required; it is recommended to keep them at least 12" (305mm) apart (see Figure 8).
4. Slide the two (2) pole mount brackets onto the fixture, engaging the flange on the top of the fixture.
5. Tighten the two (2) 1/4" set screws on each slide bracket until they bottom (see Figure 9). Torque to 78 in.-lbs. (8.8 N-m).
6. Remove the two (2) 5/16" screws, lock washers and nuts on each clamp and remove the upper clamp halves.
7. Fixture is now ready for mounting. It is strongly suggested to use two (2) qualified tradespeople to proceed with the final mounting of the fixture. This is recommended to avoid any personal injury or damage to the fixture.
8. Lift fixture into position such that the pole fits into the lower clamp halves.
9. Install the two (2) upper clamp halves and the 5/16" screws, lock washers and nuts on each clamp.
10. Tighten the nuts on the 5/16" screws evenly using a back and forth sequence. Torque to 138 in.-lbs. (15.6 N-m).

Length	Dimension	
	in.	mm.
A	52.3	1329
B	24.45	610-1143

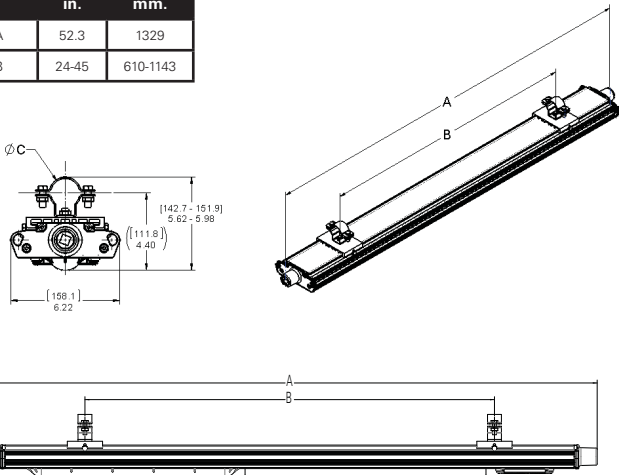


Figure 8. PM KIT - Pole Mount Installation

Configuration	Dimension (inches)			
	A	B	C	D
PM Kit 2.0 (trade size 2")	4.331	3.543	2.36	1.693
PM Kit 1.5 (trade size 1 - 1/2")	3.740	2.953	2.00	1.535
PM Kit 1.25 (trade size 1 - 1/4")	3.386	2.598	1.65	1.378

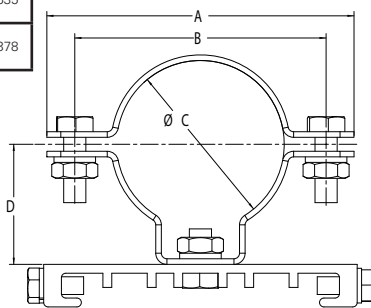
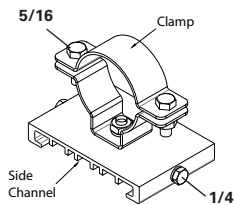


Figure 9. PM KIT - Pole Mount Details

G. PEND HAZ KIT

1. Make sure the power is disconnected from the conduit system before installing the fixture.
2. For Pendant Mount the conduit should be located in line with the fixture center of gravity. The length of the cable supplied in the kit is sized for this location.
3. Install the slide mount bracket with junction box on the mounting flange of the fixture as shown in Figure 10. Adjust the position of the slide mount to dimension C shown in table. Note: dimension C is referenced to the end of the fixture mounting flange.
4. Tighten the two 1/4" set screws on the slide bracket until they bottom. Torque to 78 in-lbs (8.8 N-m).
5. Eaton's Crouse-Hinds STL thread lubricant must be added to the conduit threads to prevent water from entering the Fixture.
6. Install one (1) cable gland thread body to junction box and one (1) cable gland thread body to hub on driver end of fixture. Refer to IF 1647 for TMCX cable fitting installation and cable preparation instructions.
7. Form the cable approximately as shown in Figure 10.
8. Route cable in through gland thread body on each end and tighten gland back nut wrench tight. Torque per IF 1647.
9. Make electrical connections in the lighting fixture driver compartment. Refer to WIRING THE LIGHTING FIXTURE Section. Cable supplied will be 14 AWG.
10. Remove the cover assembly from the junction box (see Figure 11).
11. Install retention cable loop on conduit on conduit.
12. Eaton's Crouse-Hinds STL thread lubricant must be added to the conduit threads to prevent water from entering the junction box.
13. With the nut fully tightened, screw the cover assembly onto the conduit support until the conduit and nipple are fully engaged (See Figure 11).
14. Pull field wiring through hanger cover.

15. Fixture is now ready for mounting. It is strongly recommended to use two qualified trades people to proceed with the final mounting of the fixture. This is recommended to avoid personal injury or damage to the fixture.
16. Make wiring connections in the junction box. Making sure to attach the ground wires to the green grounding screw provided in the junction box.
17. Loosen the nut one full turn to allow the hanger cover and nut to spin freely around the nipple and conduit.
18. Screw the hanger cover onto the junction box and tighten the set screw.
19. Adjust fixture to desired orientation then fully tighten the nut so the hanger cover and nut can no longer spin freely around the nipple and conduit.
20. Tighten the three (3) set screws on the nut.
21. Mount fixture to hanger cover with #10 screws provided. Tighten screws enough to ensure a good gasket seal and secure mount. Torque to 20 in-lbs (2.3 N-m).

Length	Dimension	
	in.	mm.
A	55.8	1418
B	52.3	1329
C	16	406
(D)	24	610
(E)	58.9	1495

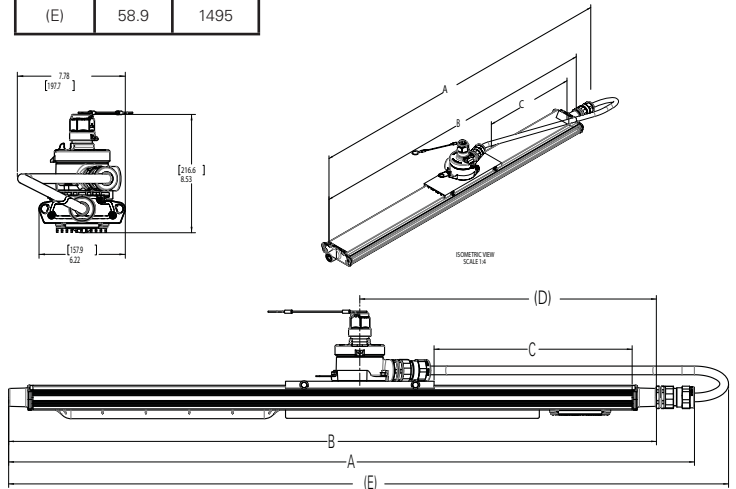


Figure 10

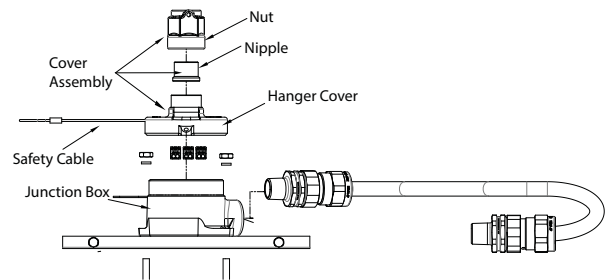


Figure 11

SECONDARY SUPPORT

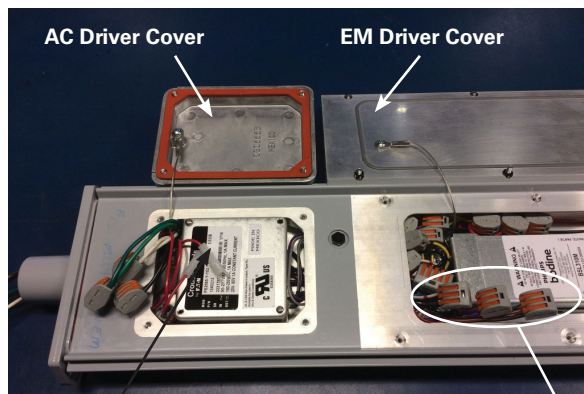
If using secondary support, attach one end of the support cable to the eyelet provided on the end cap of the fixture, secure the other end to a fixed support. Use a minimum of two (2) support cables per fixture, securing at least one to each end cap.

Arrange the secondary support cables to limit the suspended vertical distance to no more than 18 inches from the primary mounted position. Cables must be installed in this manner to limit the potential vertical drop to 18 inches maximum.

WIRING THE LIGHTING FIXTURE

The lighting fixture is wired at the factory with the EM driver hot (black) and wall switch (white/red) leads connected. An un-switched AC power source is required (120-277 VAC, 50/60 Hz). Use of a switched power source and/or remote test switch requires the additional connections described at the end of this section.

1. Open AC driver cover by loosening the four (4) #10-32 x 0.75" stainless steel cover screws (see Figure 12). All components in the fixture are pre-wired so only line in, neutral and ground need to be connected in the fixture to the lead wires (or terminals) per the wiring diagrams (see Figures 15 and 16) using methods that comply with all applicable codes. Terminate the equipment grounding conductor (green) first, the common (white) next, and finally, the line voltage (black) last. Tighten all electrical connections. **NOTE:** Standard openings are 3/4" NPT.
2. If employing the dimming function of the drivers: Use only listed 0-10 VDC lighting controls. Ensure controls are rated for the hazardous location in which they are being installed. Follow manufacturer's installation instructions and applicable wiring methods as required by NEC/CEC. Ensure the power to the lighting control and the LED fixture are disconnected. Using wire rated for minimum of 75°C for ambient temperatures not exceeding 40°, connect the positive terminal from the lighting control unit to the purple (+) lead wire of the driver, then connect the negative terminal of the lighting control unit to the gray (-) lead wire of the LED driver.
3. If no through feed (TF) or switch connections, proceed to Step 9.
4. For the TF suffix, use factory supplied fish line to pull through wire conductors for wiring to driver or to daisy chain multiple fixtures (maximum of five (5)). Refer to schematic for wiring. Only four (4) conductors maximum are allowed through the hub closest to the driver and four (4) conductors maximum are allowed through the hub farthest from the driver.
5. Once through feed wiring is complete or if through feed wiring is not required, remove fish line and discard.
6. To connect an additional switched power source, remove the EM driver cover by loosening the ten (10) #8-32 x 0.50" stainless steel cover screws (see Figure 12). Locate the connector with the EM driver black and red/white leads. Disconnect the red/white lead and reconnect to a switched line input per the wiring diagrams using methods that comply with all applicable codes.
7. To connect a remote test switch, remove the EM driver cover as described in Step 8. Locate the two (2) connectors with the EM driver purple and brown leads. Connect the wires to the test switch using the 3-conductor connectors supplied.
8. Reinstall the EM driver cover and tighten all ten (10) cover mounting screws to 20 in.-lbs. (2.3 N-m).
9. Connect the battery/converter connector (red wires). This is disconnected to avoid discharging during shipment.
10. Reinstall the AC driver cover and tighten all four (4) cover mounting screws to 32 in.-lbs. (3.6 N-m).
11. Replace any damaged or missing cover screws. Consult factory for replacement parts.



Battery/Converter Connector

Connectors for Switched Power and Remote Test Switch

Figure 12

WIRING INSTALLATION CHECKLIST

1. Verify sufficient STL lubricant is on conduit entries and that all unused conduit entries on the end caps are closed with lubricated plugs (see Figure 13).
2. Verify conduit is installed to at least five (5) full threads into the end cap conduit entries. Recommend approximately 1/8" bead STL on conduit entries.
3. Verify installed conduit is torqued to 42-52 ft.-lbs. (57-71 N-m) for 3/4" plug.
4. Verify supply wires are connected to luminaire wire leads (or terminal block) per wiring diagrams.
5. Verify all electrical connections are tightened.
6. Verify all wires are safely and neatly inside driver cover and not on top of driver. Re-attach driver cover to fixture housing (see Figure 14).
7. Verify captive attachment screws are tightened to 32 in.-lbs. (3.6 N-m) and cover is in contact with fixture housing.

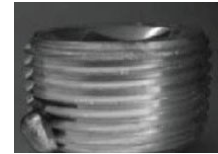


Figure 13

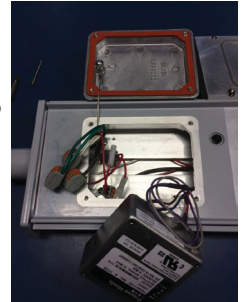


Figure 14

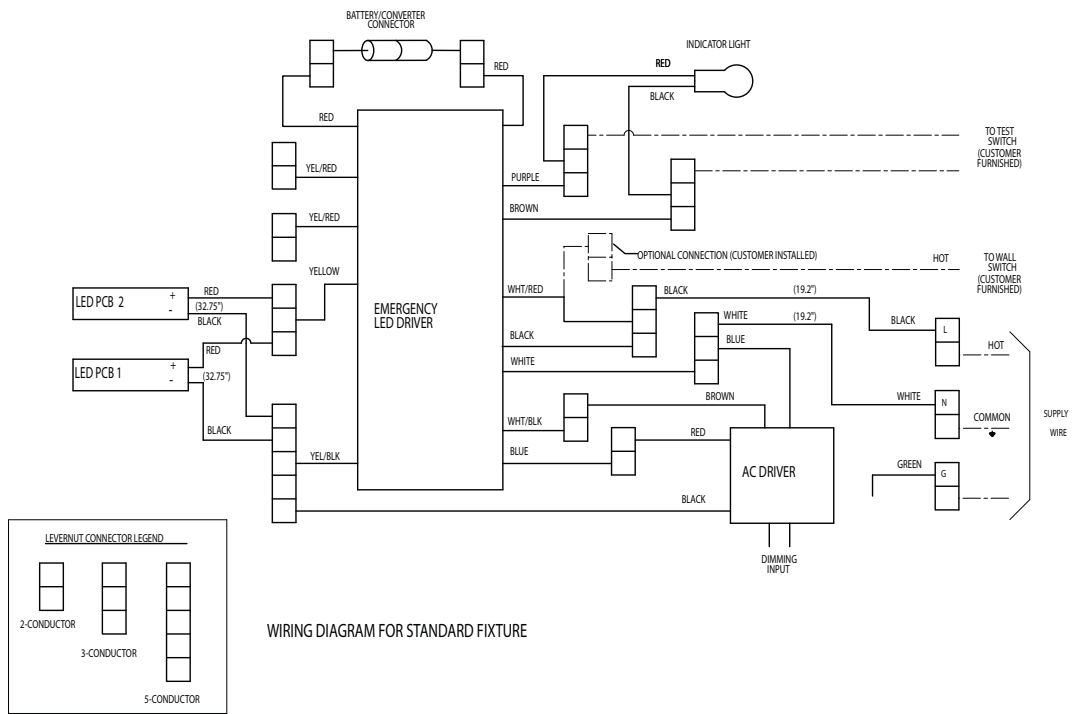


Figure 15

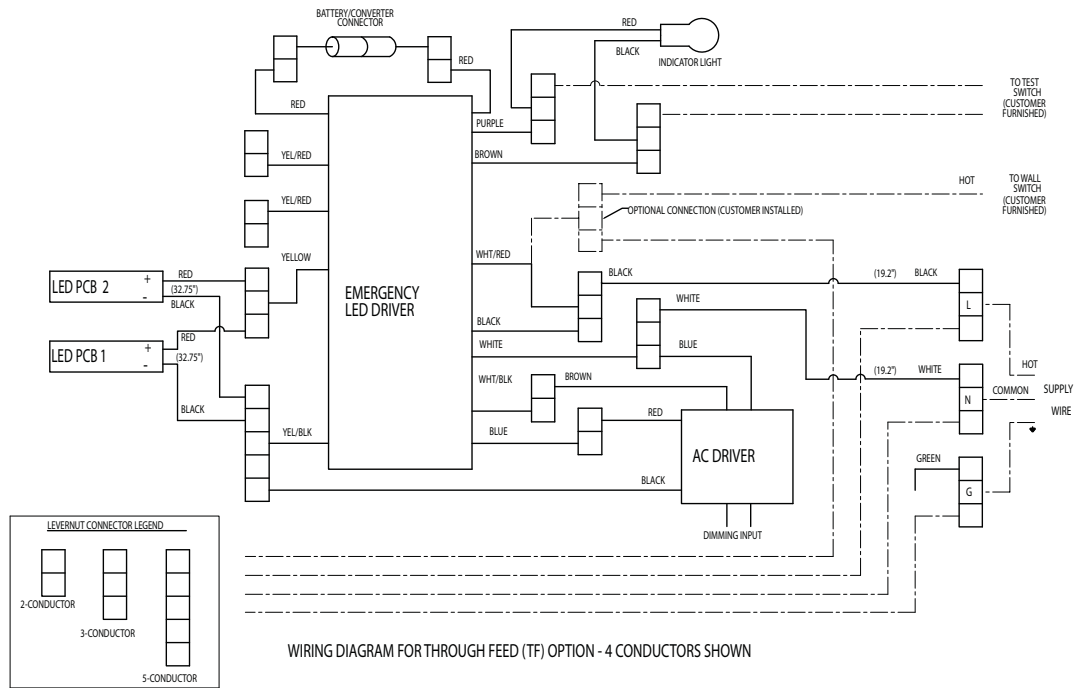


Figure 16

MAINTENANCE GENERAL

1. Disconnect the battery/converter connector during extended periods of power loss of more than 1 week. If the luminaire is out of service for more than 1 year, perform the annual test procedure and replace battery packs as needed. **Note:** Battery capacity can usually be restored after approximately three (3) full charge/discharge cycles.
2. Perform visual, electrical and mechanical inspections on a regular basis. The environment and frequency of use should determine this. However, it is recommended that checks be made at least once a year. We recommend an Electrical Preventive Maintenance Program as described in the National Fire Protection Association Bulletin NFPA No. 70B: Recommended Practice For Electrical Equipment Maintenance (www.nfpa.org).
3. The lens should be cleaned periodically to ensure continued lighting performance. To clean, wipe the lens with a clean, damp cloth. If this is not sufficient, use a mild soap or a liquid cleaner such as Collinite NCF or Duco #7. Do not use an abrasive, strong alkaline, or acid cleaner. Damage may result.
4. Visually check for undue heating evidenced by discoloration of wires or other components, damaged parts or leakage evidenced by water or corrosion in the interior. Replace all worn, damaged or malfunctioning components, and clean gasket seals before putting the luminaire back into service.
5. Electrically check to make sure that all connections are clean and tight. Mechanically check that all parts are properly assembled.
6. Check and re-torque all mounting hardware.
7. To prevent heat build-up, remove dust from the LED housing using a soft brush or air pressure.
8. Ensure that the environment is safe before opening enclosure.
9. Ensure power is removed before conducting any service work, such as removing or installing drivers and replacing any components.

PUSH-TO-TEST

A remote push-to-test switch (not supplied) suitable for the classified area must be wired in the supply circuit to periodically test the emergency operation feature (see wiring diagram).

EMERGENCY DRIVER INFORMATION

DLL emergency luminaires are supplied with an emergency driver. Disconnect the battery/converter connector prior to performing maintenance. This will disconnect the charged battery from the LEDs. The emergency driver must be checked periodically to ensure that it is working properly.

PERIODIC TESTING

Article 700 of the National Electrical Code® states, "Systems shall be tested periodically on a schedule acceptable to the authority having jurisdiction to assure their maintenance in proper operating condition." Also, "A written record shall be kept of such tests and maintenance."

In the absence of periodic testing requirements by a local authority, the following recommendations from the NFPA 101 (2003) Life Safety Code are strongly recommended:

1. Monthly: Visually inspect the charging indicator light. It should be illuminated when AC power is applied. Momentarily operate push-to-test switch. Observe that emergency lighting fixtures are on full brightness for the entire test cycle. Record the test on the Maintenance Record Card (provided on page 8).
2. Annually: Shut off AC power at the distribution panel. Verify that the emergency lighting fixtures remain "ON" for a minimum of 1-1/2 hours.

NOTE: We suggest that this test be continued until the power supply automatically shuts the emergency light(s) off. This will help maintain full battery capacity.

Record the test on the Maintenance Record Card.

Allow 24 hours charging time before depending on the battery to operate at full capacity.

Failure to function properly in either test may indicate the need for EM driver replacement.

DRIVER REPLACEMENT INSTRUCTIONS

The following LED driver replacement kits by Eaton's Crouse-Hinds are suitable. Check and verify which particular driver is provided and based on the catalog number and order the exact replacement driver kit from Eaton's Crouse-Hinds. Prior to installation ensure the same model number, voltage, and amperage ratings for replacement match the original driver ratings that came with the fixture.



WARNING

The luminaire AC and EM driver covers are the only user serviceable joints.

Manufacturer's Driver Model Number	Catalog Number	Compatible Fixture	Electrical Ratings Marked On Luminaire Housing	
			V	Hz
PS2565-Y102	VMVL/UNV1 80W 1A KIT	DLL4/UNV1 EM1	90-277 Vac	50/60
BSL310HAZ	MLL EM1 Driver Kit	DLL4/UNV1 EM1	120-277 Vac	50/60

AC DRIVER REPLACEMENT

1. Be sure to de-energize the luminaire before performing any maintenance.
2. To aide in AC driver cover removal, a pry point is located on one corner of the AC driver (see Figure 17).
3. Ensure all AC driver cover screws have been removed.
4. Insert a flat head screwdriver blade into the pry points and rotate the screwdriver.
5. Open the AC driver cover and allow the cover to hang by the support.
6. Disconnect the battery/converter connector.
7. Disconnect the input and output leads of the old AC driver (see Figure 18). **NOTE:** The connectors are located under the EM driver cover.
8. Remove the two (2) screws that secure the AC driver; remove the old AC driver.
9. Replace with new AC driver supplied by Eaton's Crouse-Hinds.
10. Reinstall the new AC driver into the luminaire, ensuring that the leads are facing towards the EM driver (see Figure 14).
11. Ensure that the AC driver is in direct contact with the luminaire housing and no wires are being pinched between the driver and the housing. Secure with two (2) screws and tighten to 5 in.-lb. (0.6 N-m).
12. Reconnect the AC driver leads per wiring diagrams.
13. Reconnect the battery/converter connector.
14. Reinstall AC driver cover (see "Wiring the Lighting Fixture").

EM DRIVER REPLACEMENT

1. Be sure to de-energize the luminaire before performing any maintenance.
2. Remove the AC driver cover as described above.
3. Disconnect the battery/converter connector.
4. Loosen the ten (10) EM driver cover screws and open the EM driver cover and allow the cover to hang by the supports (see Figure 18).
5. Disconnect the leads of the old EM driver, taking note of the connector positioning.
6. Remove the two (2) clamps (two screws per clamp) that secure the EM driver; remove the old EM driver.
7. Replace with new EM driver supplied by Eaton's Crouse-Hinds.
8. Reinstall the new EM driver into the luminaire with the leads facing the AC driver, ensuring the EM driver is in direct contact with the luminaire housing and no wires are being pinched between the EM driver and the housing. Secure with two (2) clamps (2 screws per clamp) and tighten to 20 in.-lb. (2.3 N-m).
9. Reconnect the EM driver leads per wiring diagrams (see Figures 15 and 16) and tuck the wires and connectors neatly into the housing.
10. Reinstall the EM driver cover (see "Wiring the Lighting Fixture").
11. Reconnect the battery/converter connector.
12. Reinstall AC driver cover (see "Wiring the Lighting Fixture").

CONSERVE ESTAS INSTRUCCIONES PARA FUTURAS REFERENCIAS**APLICACIÓN**

Los dispositivos lineares LED son adecuados para el uso en las siguientes ubicaciones peligrosas (clasificadas) tal como lo define el Código Eléctrico Nacional (NEC®, por sus siglas en inglés):

Se debe instalar la luminaria ensamblada de acuerdo con el Código Eléctrico Nacional, NFPA70, y los requisitos de la Oficina Estadounidense de Envíos (American Bureau of Shipping) y la Guardia Costera CG-259. Instalar de acuerdo con el 46CFR111.75-15 y 46CFR112 para iluminación marítima de emergencia.

NEC/CEC:

- Clase I, División 2, Grupos A, B, C, D
- Clase I, Zona 2
- Clase II, División 2, Grupos F, G
- Clase III
- Ubicación húmeda, IP66, Tipo 4X

Estas carcasas de luminarias se deben usar con los medios de montaje de colocación de luminarias de ubicaciones peligrosas de Crouse-Hinds enumeradas UL, Cat Nos. DP1052MTK, DP1053MTK, DP1057MTK, DP1050MTK, DP1054MTK Kit, MP1054MTK A

Kit, PM Kit 1.25, PM Kit 1.5, PM Kit 2.0, PEND HAZ KIT.

Consulte la placa de identificación de la luminaria de emergencia para obtener información específica de la clasificación, adecuación de temperatura ambiente máxima y la temperatura de operación correspondiente (Código T).

La construcción del dispositivo linear LED está diseñada para el uso interno y externo en ubicaciones marítimas y húmedas, en donde se puede encontrar presente la humedad, tierra, corrosión, vibración y uso brusco.

VOLTAJE DE ENTRADA:

- UNV1 120-277 VAC

AMBIENTE DE ALMACENAMIENTO

Se debe almacenar la luminaria EM DLL en un ambiente de 0 °C a +55 °C. Almacenar en una ubicación seca.

SALVAGUARDAS IMPORTANTES – LEA Y SIGA TODAS LAS INSTRUCCIONES DE SEGURIDAD

Al utilizar equipo eléctrico, se deben seguir siempre las precauciones de seguridad básicas incluyendo las siguientes:

IMPORTANTE

Personal calificado y competente debe instalar, inspeccionar, operar y mantener el sistema de alumbrado de emergencia.

**ADVERTENCIA**

Para evitar lesiones personales, descargas eléctricas, explosiones o fallas en el equipo:

- No use este equipo para otro uso que no sea el previsto.
- Asegúrese de que el voltaje de suministro sea el mismo que el voltaje del equipo.
- No instale en donde las temperaturas de operación señaladas excedan la temperatura de ignición en una atmósfera peligrosa.
- No opere a temperaturas ambiente por encima de las indicadas en la placa de identificación del equipo.
- Use un cableado de suministro adecuado como se especifica en la placa de identificación del equipo.
- Asegúrese de que la energía eléctrica esté en OFF (APAGADO) antes y durante la instalación y el mantenimiento. Manténgalos herméticamente cerrados cuando se encuentren en funcionamiento.
- En áreas peligrosas, instale y selle todo el equipo según los artículos pertinentes a ubicaciones peligrosas (clasificado) del Código Eléctrico Nacional, además de cualquier otro código aplicable.
- Instale solo sistemas de cableado con un conductor a tierra del equipo (que puede ser el sistema de conductos).
- Asegúrese de que el área se encuentre libre de atmósferas peligrosas antes y durante la instalación y mantenimiento.
- No use un equipo accesorio que no haya sido recomendado por el fabricante.
- Todos los sellos de las juntas deben estar limpios y libres de daños.
- Use solo piezas de reemplazo de la división Crouse-Hinds de Eaton.

**ADVERTENCIA**

Para evitar lesiones personales o fallas en el equipo:

- El equipo debe ser montado en ubicaciones y en alturas en donde no sea fácilmente sometido a manipulación por personal no autorizado.
- No lo monte cerca a equipo que produzca calor.
- Peligro de explosión: esta luminaria viene con un controlador LED de emergencia instalado por la fábrica. No desconecte el equipo a menos que el área no sea peligrosa.

**PRECAUCIÓN**

Para evitar lesiones personales o daños al equipo, se recomienda encarecidamente usar dos (2) trabajadores especializados para instalar el equipo. Para evitar quemaduras en las manos, asegúrese de que la luminaria esté fresca al momento de realizar el mantenimiento.

CONSERVE ESTAS INSTRUCCIONES**INSTALACIÓN**

Altura máxima del montaje: 22 ft. (6.7 m)

KIT DE MONTAJE**A. DP1052MTK**

1. Asegúrese de que la energía esté desconectada del sistema de conductos antes de instalar el dispositivo.
2. Marque y taladre para sujetar los soportes finales. Use dos (2) pernos de 1/4" (no incluidos) en las medidas de centro a centro (ver Imagen 1).
3. El dispositivo ahora está listo para su montaje. Se recomienda encarecidamente que use a dos (2) personas especializadas calificadas para proceder con el montaje final del dispositivo. Se recomienda esto para evitar cualquier lesión personal o daño al dispositivo.
4. Para los soportes de montaje laterales de montaje en el extremo, se recomienda montar primero un soporte y luego, mientras se sostiene el dispositivo, insértelo en el soporte montado y luego adjunte el otro soporte.

**ADVERTENCIA**

No deje el dispositivo colgando ni lo flexione en un soporte a la vez. El incumplimiento de las normas resultará en la rotura del soporte y en posibles lesiones o en la muerte.

5. Apunte el dispositivo para lograr la potencia de luz deseada y ajuste los tornillos de fijación de 1/4" a los soportes. Gire a 78 pulgadas-libras. (8.8 N-m).
6. Use un tornillo de fijación para limitar la rotación de la luminaria.

Longitud	Dimensión	
	pulg.	mm.
A	52,3	1329
B	50,3	1278

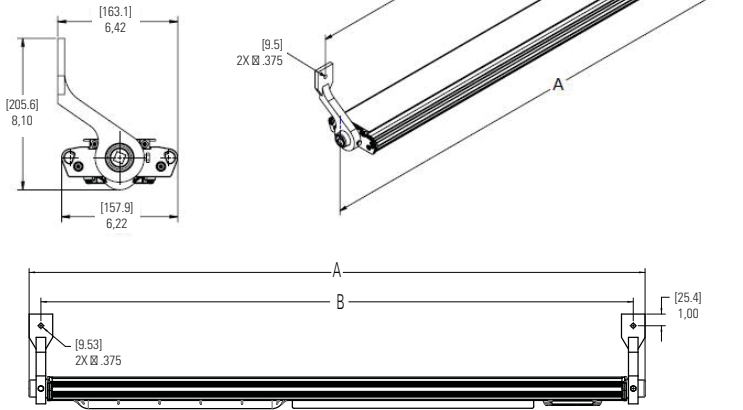


Imagen 1. Instalación del montaje lateral DP1052MTK

B. DP1053MTK

1. Asegúrese de que la energía esté desconectada del sistema de conductos antes de instalar el dispositivo.
2. Marque y taladre para sujetar los soportes finales. Use dos (2) pernos de 1/4" (no incluidos) en las medidas de centro a centro (ver Imagen 2).
3. El dispositivo ahora está listo para su montaje. Se recomienda encarecidamente que use a dos (2) personas especializadas calificadas para proceder con el montaje final del dispositivo. Se recomienda esto para evitar cualquier lesión personal o daño al dispositivo.
4. Para los soportes de montaje de pared/techo de montaje extremo, se recomienda montar primero un soporte y luego, mientras se sostiene el dispositivo, insértelo en el soporte montado y luego adjunte el otro soporte.

⚠ ADVERTENCIA

No deje el dispositivo colgando ni lo flexione en un soporte a la vez. El incumplimiento de las normas resultará en la rotura del soporte y en posibles lesiones o en la muerte.

5. Apunte el dispositivo para lograr la potencia de luz deseada y ajuste los tornillos de fijación de 1/4" a los soportes. Gire a 78 pulgadas-libras. (8.8 N-m).
6. Use un tornillo de fijación para limitar la rotación de la luminaria.

Longitud	Dimensión	
	pulg.	mm.
A	52,3	1329
B	470	1194

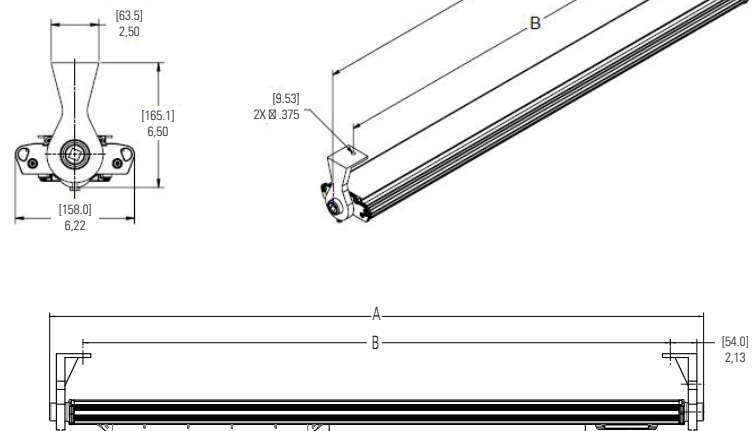


Imagen 2. Instalación del montaje de pared/techo DP1053MTK

C. DP1057MTK

1. Asegúrese de que la energía esté desconectada del sistema de conductos antes de instalar el dispositivo.
2. Para el montaje trasero, use los soportes como una plantilla, marque y perforo agujeros en la superficie del montaje y use los pernos suministrados de 5/16" (ver Imagen 3).
3. El dispositivo ahora está listo para su montaje. Se recomienda encarecidamente que use a dos (2) personas especializadas calificadas para proceder con el montaje final del dispositivo. Se recomienda esto para evitar cualquier lesión personal o daño al dispositivo.
4. Deslice el dispositivo en el soporte de montaje, enganchando la brida en la parte superior del dispositivo y colóquelo cerca del centro.
5. Ajuste los dos (2) tornillos de fijación de 1/4" en el soporte de deslizamiento hasta que estén abajo. Gire a 78 pulgadas-libras. (8.8 N-m).

Longitud	Dimensión	
	pulg.	mm.
A	52,3	1329
B	18,2	462

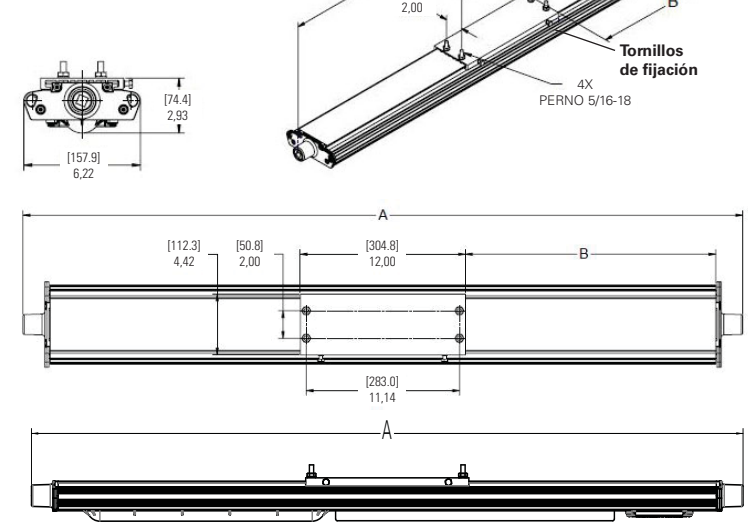


Imagen 3. Instalación del montaje trasero DP1057MTK

D. DP1050MTK

1. Asegúrese de que la energía esté desconectada del sistema de conductos antes de instalar el dispositivo.
2. Marque y taladre para asegurar los soportes giratorios. Use dos (2) pernos de 1/4" (no incluidos) en las medidas de centro a centro. Para los soportes giratorios, los agujeros pueden estar espaciados según sea necesario. Se recomienda que estén separados al menos 12" (305 mm) (ver Imagen 5).
3. El dispositivo ahora está listo para su montaje. Se recomienda encarecidamente que use a dos (2) personas especializadas calificadas para proceder con el montaje final del dispositivo. Se recomienda esto para evitar cualquier lesión personal o daño al dispositivo.
4. Deslice el dispositivo en los soportes de montaje, enganchando la brida en la parte superior del dispositivo y colóquelo cerca del centro.

⚠ ADVERTENCIA

No deje el dispositivo colgando ni lo flexione en un soporte a la vez. El incumplimiento de las normas resultará en la rotura del soporte y en posibles lesiones o en la muerte.

5. Ajuste los dos (2) tornillos de fijación de 1/4" en cada soporte de deslizamiento hasta que estén abajo (ver Imagen 4). Gire a 78 pulgadas-libras. (8.8 N-m).
6. Ajuste la posición del dispositivo al ángulo deseado y ajuste los dos (2) pernos de pivote de 5/16". Gire a 138 pulgadas-libras. (15.6 N-m).

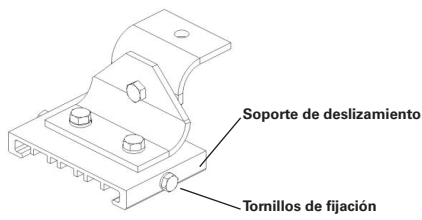


Imagen 4. Información de los montajes giratorios

Longitud	Dimensión	
	pulg.	mm.
A	52,3	1329
B	9-51	222-1289

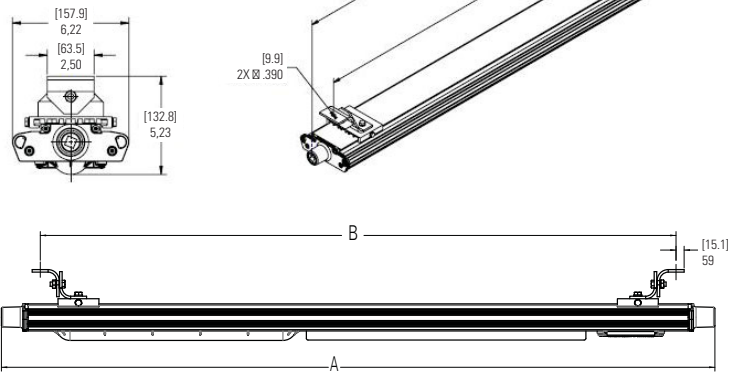


Imagen 5. Instalación del montaje giratorio DP1050MTK

Longitud	Dimensión	
	pulg.	mm.
A	52,3	1329
B	24-46	610-1168

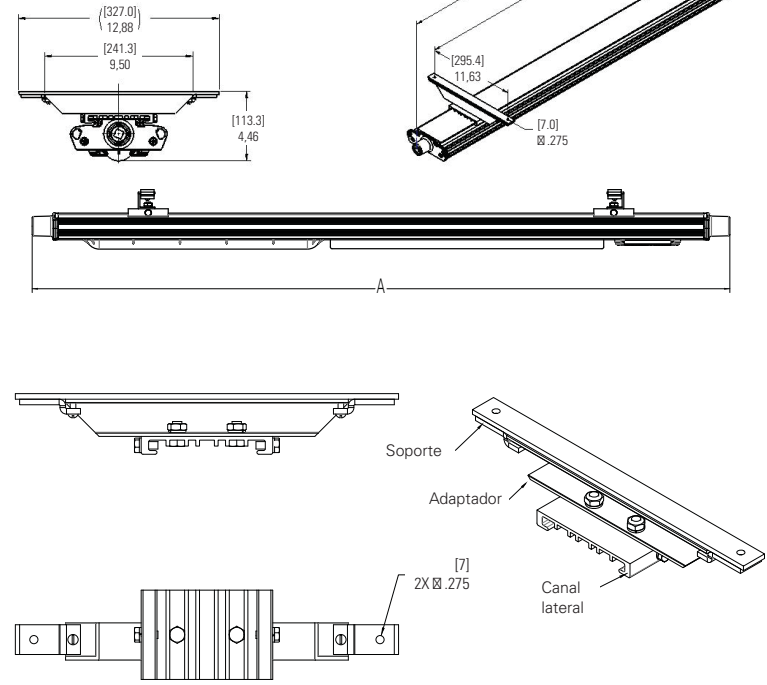


Imagen 7. Información del Kit de montaje MagnaPro Kit MP1054MTK

E. KIT MP1054MTK (incluye el adaptador de canales y soporte de deslizamiento)

1. Asegúrese de que la energía esté desconectada del sistema de conductos antes de instalar el dispositivo.
2. Ubique los soportes del Kit MP1054MTK que se proporcionan en el kit. Para una retroadaptación, inspeccione los soportes existentes y reemplácelos si es necesario.
3. Marque y perforo agujeros para instalar los soportes a la pared o techo con dos (2) pernos de 1/4" (no se incluyen). Para MagnaPro, los agujeros de los soportes pueden estar espaciados según sea necesario, se recomienda mantenerlos por lo menos a 12" (305 mm) de distancia (ver Imagen 6).
4. Conecte los soportes MP1054MTK Kit a la pared o techo. Asegúrese de que los soportes estén paralelos entre sí.
5. Instale un (1) adaptador de canales con un canal de deslizamiento en cada soporte MP1054MTK. Deslice el borde largo del adaptador de canales en las ranuras del soporte y apriete los dos (2) tornillos de cabeza Phillips en los extremos de cada soporte del kit MP1054MTK. Asegúrese de que los soportes de deslizamiento estén paralelos entre sí (ver Imagen 7).
6. El dispositivo ahora está listo para su montaje. Se recomienda encarecidamente que use a dos (2) personas especializadas calificadas para proceder con el montaje final del dispositivo. Se recomienda esto para evitar cualquier lesión personal o daño al dispositivo.
7. Levante el dispositivo en su posición y deslícelo en los soportes de deslizamientos, engancho la brida en la parte superior del dispositivo y colóquelo cerca del centro.



ADVERTENCIA

No deje el dispositivo colgando ni lo flexione en un soporte a la vez. El incumplimiento de las normas resultará en la rotura del soporte y en posibles lesiones o en la muerte.

8. Ajuste los dos (2) tornillos de fijación de 1/4" en cada soporte de deslizamiento hasta que estén abajo (ver Imagen 7). Gire a 78 pulgadas-libras. (8.8 N-m).

Kit MP1054MTK A

Igual al Kit MP1054MTK, excepto que los soportes Magnapro MP1054MTK no están incluidos. Si utiliza este kit, siga las instrucciones del Kit MP1054MTK empezando desde el Paso 5.

F. KIT PM - MONTAJE EN POSTE

1. Asegúrese de que la energía esté desconectada del sistema de conductos antes de instalar el dispositivo.
2. Verifique que el diámetro de la abrazadera interna sea consistente con el diámetro del poste antes de la instalación. Las abrazaderas están disponibles en los siguientes tamaños 1.65 (42 mm), 2.00 (51 mm) y 2.36 (60 mm).
3. Los soportes del montaje en poste pueden estar espaciados según sea necesario, se recomienda mantenerlos por lo menos a 12" (305 mm) de distancia (ver Imagen 8).
4. Deslice los dos (2) soportes de montaje en poste en el dispositivo, acoplado la brida en la parte superior del dispositivo.
5. Ajuste los dos (2) tornillos de fijación de 1/4" en cada soporte de deslizamiento hasta que estén abajo (ver Imagen 9). Gire a 78 pulgadas-libras. (8.8 N-m).
6. Retire los dos (2) tornillos de 5/16", arandelas de seguridad y tuercas de cada abrazadera y quite las mitades de las abrazaderas superiores.
7. El dispositivo ahora está listo para su montaje. Se recomienda encarecidamente que use a dos (2) personas especializadas calificadas para proceder con el montaje final del dispositivo. Se recomienda esto para evitar cualquier lesión personal o daño al dispositivo.
8. Levante el dispositivo en posición de tal manera que el poste encaje en las mitades inferiores de la abrazadera.
9. Instale las dos (2) mitades de las abrazaderas superiores y los tornillos de 5/16", las arandelas de seguridad y las tuercas en cada abrazadera.
10. Ajuste las tuercas en los tornillos de 5/16" horizontalmente utilizando una secuencia de ida y vuelta. Gire a 138 pulgadas-libras. (15.6 N-m).

Longitud	Dimensión	
	pulg.	mm.
A	52,3	1329
B	24-45	610-1143

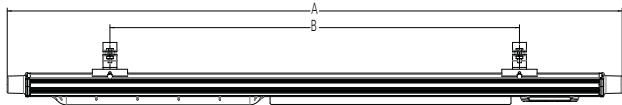
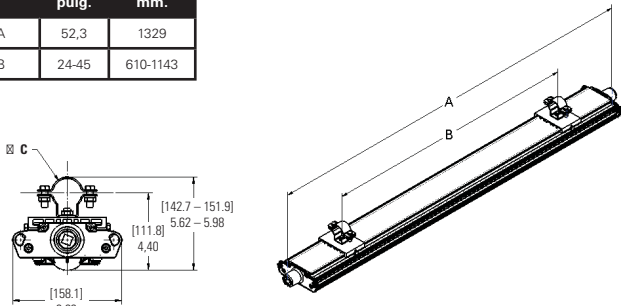


Imagen 8. KIT PM - Instalación del montaje en poste

Configuración	Dimensión (pulgadas)			
	A	B	C	D
Kit PM 2.0 (tamaño comercial 2')	4,331	3,543	2,36	1,693
Kit PM 1.5 (tamaño comercial 1 - 1/2')	3,740	2,953	2,00	1,535
Kit PM 1.25 (tamaño comercial 1 - 1/4')	3,386	2,598	1,65	1,378

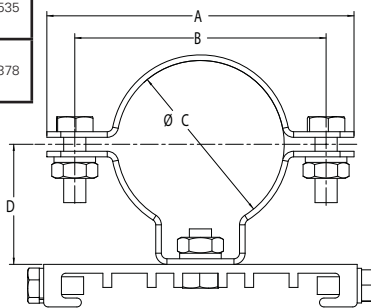
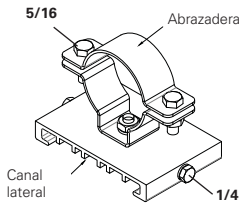


Imagen 9. KIT PM - Detalles del montaje en poste

G. KIT PEND HAZ

- Asegúrese de que la energía esté desconectada del sistema de conductos antes de instalar el dispositivo.
- Para el montaje colgante, el conducto debe estar ubicado en línea con el centro de gravedad del dispositivo. La longitud del cable suministrado en el kit está dimensionada para esta ubicación.
- Instale el soporte de montaje deslizante con la caja de conexiones en la brida de montaje del dispositivo como se muestra en la Imagen 10. Ajuste la posición del montaje deslizante a la dimensión C que se muestra en el cuadro. Nota: La dimensión C hace referencia al extremo de la brida de montaje del dispositivo.
- Ajuste los dos (2) tornillos de fijación de 1/4" en el soporte de deslizamiento hasta que estén abajo. Gire a 78 pulgadas-libras (8.8 N-m).
- El lubricante para roscas eléctricas de Eaton debe aplicarse a las roscas del conducto para evitar que ingrese agua al dispositivo.
- Instale un (1) cuerpo de rosca del casquillo prensacable a la caja de conexiones y un (1) cuerpo de rosca del casquillo prensacable para centrar en el extremo del controlador del dispositivo. Consulte el IF 1647 para la instalación del cable TMCX y las instrucciones de preparación del mismo.
- Forme el cable aproximadamente como se muestra en la Imagen 10.
- Pase el cable a través del cuerpo de rosca del casquillo en cada extremo y apriete firmemente la llave de tuercas trasera del casquillo. Gire según IF 1647.
- Realice las conexiones eléctricas en el compartimiento del controlador del dispositivo de iluminación. Consulte la sección de CABLEADO DEL DISPOSITIVO DE ILUMINACIÓN. El cable suministrado será 14 AWG.
- Retire la cubierta superior de la caja de conexiones (ver Imagen 11).
- Instale el lazo del cable de retención en el conducto del conducto.
- El lubricante para roscas Crouse-Hinds STL debe aplicarse a las roscas del conducto para evitar que ingrese agua a la caja de conexiones.
- Una vez que la tuerca esté bien ajustada, atornille la cubierta superior en el soporte del conducto hasta que el conducto y la boquilla estén completamente unidos (ver Imagen 11).
- Retire el cableado del campo a través de la cubierta del colgador.

- El dispositivo ahora está listo para su montaje. Se recomienda que use a dos personas especializadas calificadas para proceder con el montaje final del accesorio. Se recomienda esto para evitar alguna lesión personal o daño al accesorio.
- Realice las conexiones del cable en la caja de conexiones. Asegúrese de adjuntar los cables del piso a las conexiones en tierra proporcionadas en la caja de conexiones.
- Afloje la tuerca de un sólo giro completo para permitir que la cubierta del colgador y la tuerca giren libremente alrededor de la boquilla y del conducto.
- Atornille la cubierta del colgador sobre la caja de conexiones y ajuste el tornillo de fijación.
- Ajuste el dispositivo hacia la orientación deseada y luego ajuste totalmente la tuerca para que la cubierta del colgador y la tuerca no puedan girar libremente alrededor de la boquilla y del conducto.
- Ajuste los tres (3) tornillos de fijación en la tuerca.
- Monte el dispositivo a la cubierta del colgador con los tornillos #10 que se brindan. Ajuste los tornillos lo suficiente para asegurar un buen sello de las juntas y un montaje seguro. Gire a 20 pulgadas-libras (2.3 N-m).

Longitud	Dimensión	
	pulg.	mm.
A	55,8	1418
B	52,3	1329
C	16	406
(D)	24	610
(E)	58,9	1495

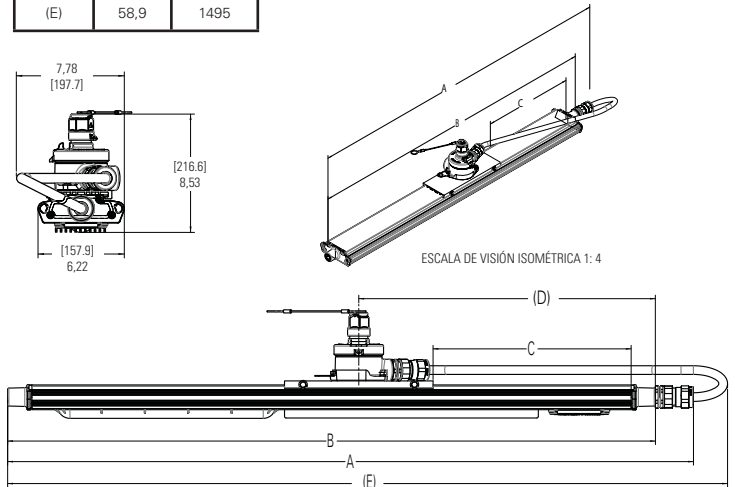


Imagen 10

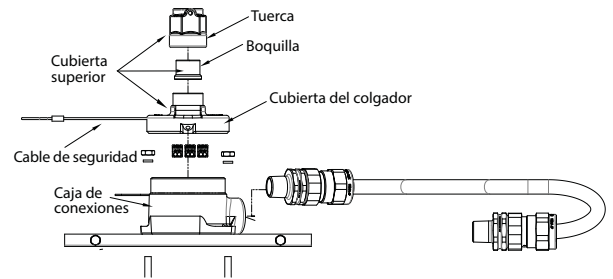


Imagen 11

SOPORTE SECUNDARIO

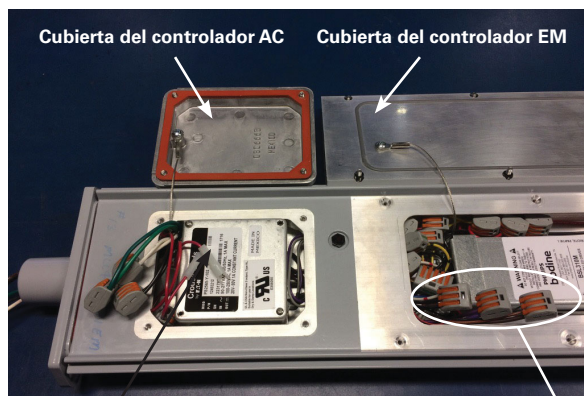
Si usa un soporte secundario, adjunte uno al final del soporte del cable a la cubierta proporcionada al final de la tapa del dispositivo, asegure el otro lado a un soporte ya fijado. Use como mínimo 2 cables de soporte por dispositivo, asegurando por lo menos uno al final de cada tapa.

Arregle los cables de soporte secundarios para limitar la distancia vertical suspendida a no más de 18 pulgadas desde la posición montada primaria. Se deben instalar los cables de esta manera para limitar la potencial caída vertical a un máximo de 18 pulgadas.

CABLEADO DEL DISPOSITIVO DE ILUMINACIÓN

El dispositivo de iluminación está cableado en fábrica con el controlador EM caliente (negro) y los cables de pared (blanco / rojo) conectados. Se necesita una fuente de energía AC no conmutada (120-277 VAC, 50/60 Hz). El uso de una fuente de energía conmutada y/o el interruptor de prueba remoto requieren de conexiones adicionales descritas al final de esta sección.

1. Abra la cubierta del controlador AC aflojando los cuatro (4) tornillos de la cubierta de acero inoxidable, número 10-32 x 0,75" (ver Imagen 12). Todos los componentes en el dispositivo están conectados de manera que solo los cables en línea, neutrales y a tierra deban ser conectados en el dispositivo a los cables conductores (o terminales) de acuerdo con los diagramas de cableado (ver Imágenes 15 y 16) y los métodos que cumplen con todos los códigos aplicables. Cortar primero el conductor a tierra del equipo (verde), luego el común (blanco) y finalmente la línea de voltaje (negro). Apriete todas las conexiones eléctricas. **NOTA:** Las aberturas estándar son de 3/4" NTP.
2. Si se emplea la función de atenuación de los controladores: Use solo los controles de iluminación 0-10 VDC enumerados. Asegúrese de que los controles estén clasificados para la ubicación peligrosa en la que se están instalando. Siga las instrucciones de instalación del fabricante y aplique los métodos de cableado según lo requiere el Código Eléctrico Nacional (NEC, por sus siglas en inglés)/Código Eléctrico Canadiense (CEC, por sus siglas en inglés). Asegúrese de que la energía del control de iluminación y el dispositivo LED estén desconectados. Con un cable calibrado para un mínimo de 75 °C para temperaturas ambientales no superiores a 40 °, conecte el terminal positivo de la unidad de control de iluminación al cable conductor de color morado (+) del controlador, luego conecte el terminal negativo de la unidad de control de iluminación al cable conductor gris (-) del controlador LED.
3. Si no hay alimentación continua (TF) o conexiones de conmutador, proceda al Paso 9.
4. Para el sufijo TF, use la línea de pescado suministrada de fábrica para jalar a través de los conductores de alambre para el cableado del controlador o para dispositivos múltiples de conexión en cadena (máximo de cinco (5)). Consulte el esquema para el cableado. Solo se permiten máximo cuatro (4) conductores a través del centro más cercano al controlador y solo se permiten máximo cuatro (4) conductores a través del centro más lejano del controlador.
5. Una vez que el cableado de alimentación continua esté completo o si no se necesita del cableado de alimentación continua, retire la línea de pescado y descártela.
6. Para conectar una fuente de energía conmutada adicional, retire la cubierta del controlador EM aflojando los diez (10) tornillos de la cubierta de acero inoxidable, número 8-32 x 0,50" (ver Imagen 12). Ubique el conector con el controlador EM negro y los cables rojo/blanco. Desconecte el cable rojo/blanco y vuelva a conectarlo a una entrada de línea conmutada según los diagramas de cableado utilizando los métodos que cumplen con todos los códigos aplicables.
7. Para conectar el interruptor de prueba remoto, retire la cubierta del controlador EM tal como se describe en el Paso 8. Ubique los dos (2) conectores con el controlador EM morado y los cables marrones. Conecte los cables al interruptor de prueba utilizando los conectores de 3 conductores suministrados.
8. Vuelva a instalar la cubierta del controlador EM y ajuste los diez (10) tornillos de montaje a 20 pulgadas-libras. (2.3 N-m).
9. Conecte el conector de batería/convertidor (cables rojos). Este se desconecta para evitar la descarga durante el envío.
10. Vuelva a instalar la cubierta del controlador AC y ajuste los cuatro (4) tornillos de montaje a 32 pulgadas-libras. (3.6 N-m).
11. Reemplace cualquier tornillo de la cubierta que esté dañado o perdido. Consulte con la fábrica por las piezas de repuesto.



Cubierto del controlador AC Cubierta del controlador EM

Conector a batería/del convertidor

Conectores para energía conmutada e interruptor de prueba remoto

Imagen 12

LISTA DE VERIFICACIÓN DE LA INSTALACIÓN DEL CABLEADO

1. Verifique que haya suficiente lubricante STL en las entradas del conducto y que todas las entradas de conducto no usadas en las tapas terminales estén cerradas con tapones lubricados (ver Imagen 13).
2. Verifique que el conducto se encuentre instalado con por lo menos cinco (5) roscas completas en las entradas del conducto de las tapas terminales. Se recomienda aproximadamente brocas STL de 1/8" en las entradas de conducto.
3. Verificar que se gire el conducto instalado a 42-52 pies.-libras. (57-71 N-m) para tapón de 3/4".
4. Verifique que los cables de suministro se encuentren conectados con los cables de la luminaria (o bloque terminal) según los diagramas de cableado.
5. Verifique que todas las conexiones eléctricas se encuentren ajustadas.
6. Verifique que todos los cables se encuentren de forma segura y cuidadosamente dentro de la cubierta del controlador y no en la parte superior del controlador. Vuelva a adjuntar la cubierta del controlador a la carcasa del dispositivo (ver Imagen 14).
7. Verifique que los tornillos de acople cautivos estén ajustados a 32 pulgadas-libras. (3.6 N-m) y cubierta esté en contacto con la carcasa del dispositivo.



Imagen 13

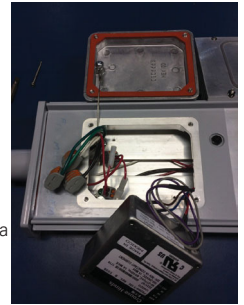


Imagen 14

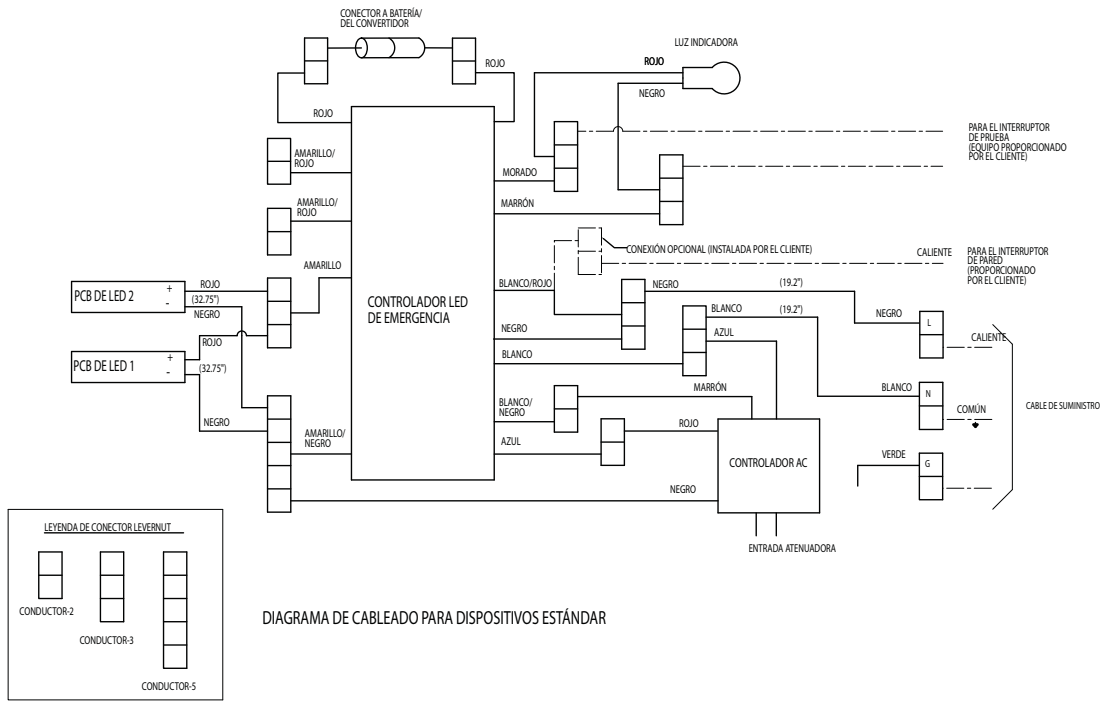


Imagen 15

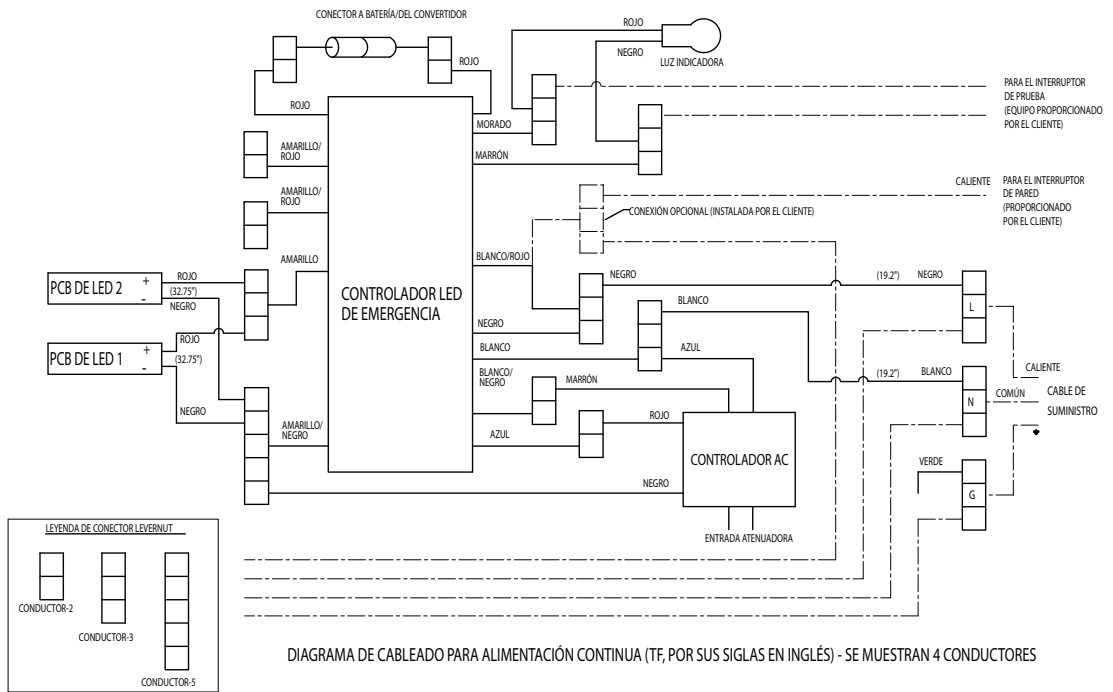


Imagen 16

MAINTENIMIENTO GENERAL

- Desconecte el conector a batería/del convertidor durante periodos prolongados de pérdida de energía de más de 1 semana. Si la luminaria está fuera de servicio por más de 1 año realice el procedimiento de prueba anual y reemplace el paquete de baterías según sea necesario. **Nota:** Normalmente, la capacidad de la batería se puede restablecer después de aproximadamente tres (3) ciclos completos de carga/descarga.
- Realice las inspecciones visuales, eléctricas y mecánicas de manera regular. El ambiente y la frecuencia de uso deben determinarlo. Sin embargo, se recomienda que las supervisiones se realicen al menos una vez al año. Recomendamos un Programa de Mantenimiento Preventivo Eléctrico como se describe en el Boletín de la Asociación Nacional de Protección Contra Incendios, NFPA N° 70B: Práctica recomendada para el Mantenimiento del Equipo Eléctrico (www.nfpa.org).
- Se deben limpiar los lentes periódicamente para asegurar el rendimiento continuo de la luz. Para realizar la limpieza, limpie los lentes con un paño húmedo y limpio. Si esto no es suficiente, use un jabón suave o limpiador líquido como Colilinite NCF o Duco #7. No usar un alcalino fuerte y abrasivo o un limpiador ácido. Puede provocar daños.
- Verifique visualmente en busca de evidencias de calentamiento indebido a causa de la decoloración de los cables u otros componentes, partes dañadas o derrame evidenciado por agua o corrosión en el interior. Reemplace todos los componentes gastados, dañados o que tienen un mal funcionamiento y limpie los sellos de las juntas antes de poner de nuevo en servicio a la luminaria.
- Compruebe eléctricamente para asegurarse de que todas las conexiones estén limpias y apretadas. Verifique mecánicamente que todas las piezas estén correctamente montadas.
- Compruebe y vuelva a girar todo el soporte físico del montaje.
- Para evitar la acumulación de calor, retire el polvo de la carcasa LED empleando un cepillo suave o presión de aire.
- Asegúrese de que el ambiente sea seguro antes de abrir el gabinete.
- Asegúrese de desconectar la energía antes de realizar cualquier trabajo de servicio, como el retiro o la instalación de controladores y el reemplazo de cualquier componente.

PULSADOR DE PRUEBA

Un interruptor de prueba remoto (no incluido) adecuado para el área clasificada debe de ser cableado en el circuito de suministro periódicamente para probar la característica de operación de emergencia (ver diagrama de cableado).

INFORMACIÓN DEL CONTROLADOR DE EMERGENCIA

Se suministran luminarias de emergencia DLL con un controlador de emergencia. Desconecte el conector a batería/convertidor antes de realizar el mantenimiento. Esto desconectará la batería cargada de los LED. Se debe revisar el controlador de emergencia periódicamente para asegurar que esté funcionando adecuadamente.

PRUEBAS PERIÓDICAS

El artículo 700 de Código Eléctrico Nacional® establece que "los Sistemas deberán ser probados periódicamente en un cronograma aceptable por la autoridad competente para asegurar su mantenimiento en buenas condiciones de funcionamiento". También establece que: "Deberá mantenerse un registro escrito de tales pruebas y del mantenimiento".

En ausencia de los requisitos de pruebas periódicas por una autoridad local, se recomienda altamente seguir las pautas del Código de Seguridad Humana NFPA 101:

- Mensual: Inspeccione visualmente la luz indicadora de carga. Debe de iluminarse cuando se usa la alimentación AC. Opere momentáneamente el interruptor de prueba. Observe que los dispositivos de iluminación de emergencia estén al máximo de su brillo para todo el ciclo de prueba. Registre la prueba en la Tarjeta de registro de mantenimiento (se incluye en la página 8).
- Anual: Apague la alimentación de AC en el panel de distribución. Verifique que los dispositivos de iluminación de emergencia permanezcan en "ENCENDIDO" ("ON") por un mínimo de 1 a 1/2 hora.

NOTA: Se sugiere que esta prueba continúe hasta que el suministro de energía apague automáticamente la(s) luz(es) de emergencia. Esto ayudará a mantener la capacidad total de la batería.

Registre la prueba en la Tarjeta de registro de mantenimiento.

El tiempo de carga debe ser de 24 horas dependiendo de la batería para que opere al máximo de su capacidad.

Si no opera correctamente en cualquiera de las pruebas, esto puede indicar que se necesita el reemplazo del controlador EM.

INSTRUCCIONES DEL REEMPLAZO DEL CONTROLADOR

Los siguientes kits de reemplazo del controlador LED de Crouse-Hinds de Eaton son los adecuados. Compruebe y verifique qué controlador en particular se proporciona y basado en el número de catálogo solicite el kit de controlador de reemplazo exacto de Crouse-Hinds de Eaton. Antes de la instalación asegúrese de que sea el mismo número de modelo, voltaje y amperaje para que el reemplazo coincida con la clasificación del controlador original que viene con el dispositivo.



ADVERTENCIA

Las cubiertas del controlador AC y EM de la luminaria son las únicas juntas que el usuario puede usar.

Número del modelo del controlador del fabricante	Número de catálogo	Dispositivo compatible	Clasificaciones eléctricas	
			V	Hz
PS2565-Y-102	KIT VMVL/UNV1 80W 1A	DLL4/UNV1 EM1	90-277 Vac	50/60
BSL310HAZ	Kit del controlador MLL EM1	DLL4/UNV1 EM1	120-277 Vac	50/60

REEMPLAZO DEL CONTROLADOR AC

- Asegúrese de desactivar la luminaria antes de realizar algún mantenimiento.
- Para ayudar con la remoción de la cubierta del controlador AC, un punto de palanca se encuentra en una esquina del controlador AC (ver Imagen 17).
- Asegúrese de que todos los tornillos de la cubierta del controlador AC hayan sido retirados.
- Inserte la hoja de un destornillador de cabeza plana en los puntos de palanca y gire el destornillador.
- Abra la cubierta del controlador AC y permita que la cubierta cuelgue por el soporte.
- Desconecte el conector a batería/ del convertidor.
- Desconecte los cables de entrada y salida del controlador AC antiguo (ver Imagen 18). **NOTA:** Los conectores se encuentran debajo de la cubierta del controlador EM.
- Retire los dos (2) tornillos que aseguran el controlador AC; retire el controlador AC antiguo.
- Reemplace con el nuevo controlador AC proporcionado por Crouse-Hinds de Eaton.
- Vuelva a instalar el nuevo controlador AC en la luminaria, asegurándose de que los cables estén orientados hacia el controlador EM (ver Imagen 14).
- Asegúrese de que el controlador AC esté en contacto directo con la carcasa de la luminaria y no haya cables que estén siendo pinchados entre el controlador y la carcasa. Asegure con dos (2) tornillos y ajuste a 5 pulgadas-libras. (0.6 N-m).
- Vuelva a conectar los cables del controlador AC según el diagrama de cableado.
- Vuelva a conectar el conector a batería/del convertidor.
- Vuelva a instalar la cubierta del controlador AC (ver "Cableado del dispositivo de iluminación").

REEMPLAZO DEL CONTROLADOR EM

- Asegúrese de desactivar la luminaria antes de realizar algún mantenimiento.
- Retire la cubierta del controlador AC tal como se describe anteriormente.
- Desconecte el conector a batería/ del convertidor.
- Afloje los diez (10) tornillos de la cubierta del controlador EM y abra la cubierta del controlador EM y permita que la cubierta cuelgue de los soportes (ver Imagen 18).
- Desconecte los cables del controlador EM antiguo, tomando nota del posicionamiento del conector.
- Retire las dos (2) abrazaderas (dos tornillos por abrazadera) que aseguran el controlador EM; retire el controlador EM antiguo.
- Reemplace con el nuevo controlador EM proporcionado por Crouse-Hinds de Eaton.
- Vuelva a instalar el nuevo controlador EM en la luminaria con los cables orientados hacia el controlador AC, asegurándose de que el controlador EM esté en contacto directo con la carcasa de la luminaria y no haya cables que estén siendo pinchados entre el controlador EM y la carcasa. Asegure con dos (2) abrazaderas (2 tornillos por abrazadera) y ajuste a 20 pulgadas-libras. (2.3 N-m).
- Vuelva a conectar los cables del controlador EM según el diagrama de cableado (ver Imágenes 15 y 16) y doble los cables y conectores cuidadosamente en la carcasa.
- Vuelva a instalar la cubierta del controlador EM (ver "Cableado del dispositivo de iluminación").
- Vuelva a conectar el conector a batería/del convertidor.
- Vuelva a instalar la cubierta del controlador AC (ver "Cableado del dispositivo de iluminación").

CONSERVER CES INSTRUCTIONS À TITRE DE RÉFÉRENCE

UTILISATION

Les luminaires linéaires à DEL peuvent être utilisés dans les emplacements dangereux (classifiés) suivants, comme définis par le National Electrical Code (NEC®) :

Le luminaire assemblé doit être installé conformément aux normes NFPA 70 du National Electrical Code et CG 259 du American Bureau of Shipping and Coast Guard. Installer conformément aux règlements 46CFR111.75-15 et 46CFR112 relatifs à l'éclairage maritime d'urgence.

NEC/CCE :

- Classe I, division 2, groupes A, B, C, D
- Classe I, zone 2
- Classe II, division 2, groupes F, G
- Classe III
- Emplacements humides, IP66, type 4X

Ces boîtiers de luminaires doivent être utilisés avec les pièces de fixation pour luminaire Crouse-Hinds homologuées UL et conçues pour les emplacements dangereux, dont les numéros de catégorie sont les suivants : DP1052MTK, DP1053MTK, DP1057MTK, DP1050MTK, trousse DP1054MTK, trousse MP1054MTK A, trousse 1.25, trousse 1.5,

trousse 2.0, trousse PEND HAZ.

Se reporter à la plaque signalétique du luminaire d'urgence pour des renseignements sur une classification spécifique, la compatibilité avec une température ambiante et une température de fonctionnement correspondante (code T).

La construction du luminaire linéaire à DEL est conçue pour des utilisations intérieures et extérieures dans des emplacements humides et des installations marines, où il peut y avoir de l'humidité, de la poussière, de la corrosion et des vibrations, et où les luminaires peuvent faire l'objet d'une utilisation intensive.

TENSION D'ENTRÉE :

- UNV1 : 120-277 Vca

MILIEU D'ENTREPOSAGE :

Le luminaire DLL EM doit être entreposé à une température ambiante comprise entre 0 °C et 55 °C. Entreposer dans un endroit sec.

MESURES DE PROTECTION IMPORTANTES – LIRE ET OBSERVER TOUTES LES DIRECTIVES DE SÉCURITÉ

Lors de l'utilisation de matériel électrique, des précautions de sécurité de base doivent toujours être prises, notamment les suivantes :

IMPORTANT

Le système d'éclairage d'urgence doit être installé, inspecté, exploité et entretenu par du personnel qualifié et compétent.



AVERTISSEMENT

Pour éviter toute blessure, décharge électrique ou défaillance du matériel :

- Ne pas utiliser le matériel à d'autres fins que celles prévues.
- Vérifier que la tension d'alimentation est identique à la tension de l'appareil.
- Ne pas installer dans des endroits où la température de fonctionnement dépasse le point d'allumage de l'atmosphère dangereuse.
- Ne pas utiliser à des températures ambiantes supérieures à celles qui sont indiquées sur la plaque signalétique de l'appareil.
- Utiliser un câblage d'alimentation conforme à la plaque signalétique de l'appareil.
- L'alimentation électrique doit être COUPÉE avant et pendant l'installation et l'entretien. Le luminaire doit être bien fermé lorsqu'il est allumé.
- Dans les emplacements dangereux, installer et sceller tout le matériel conformément aux articles du NEC pertinents aux emplacements dangereux (classifiés), ainsi qu'à tous les autres codes pertinents.
- Le luminaire doit être alimenté par un réseau de fils comportant un conducteur de mise à la terre de l'appareil (qui peut être le conduit).
- Vérifier que la zone ne comporte pas d'atmosphère dangereuse avant et pendant l'installation et l'entretien.
- Ne pas utiliser d'accessoires non recommandés par le fabricant.
- Tous les joints d'étanchéité doivent être propres et intacts.
- Utiliser uniquement des pièces de rechange d'Eaton's Crouse-Hinds Division.



AVERTISSEMENT

Pour éviter toute blessure, explosion ou défaillance du matériel :

- Le matériel doit être installé dans des emplacements et à des hauteurs où il n'est pas susceptible d'être manipulé par du personnel non autorisé.
- Ne pas installer près d'une source de chaleur.
- Risque d'explosion : ce luminaire est livré avec un circuit de commande de DEL d'urgence installé en usine. Ne pas débrancher ce matériel avant de s'assurer que l'emplacement ne comporte pas de risque.



MISE EN GARDE

Pour éviter toute blessure ou tout dommage matériel, il est fortement recommandé que l'installation du matériel soit réalisée par deux (2) professionnels qualifiés. Pour éviter les brûlures aux mains, attendre que le luminaire ait refroidi avant d'effectuer l'entretien.

CONSERVER CES DIRECTIVES

INSTALLATION

Hauteur d'assemblage maximale : 6,7 m (22 pi)

TROUSSES DE MONTAGE

A. DP1052MTK

1. Avant d'installer le luminaire, veiller à ce que l'alimentation vers le conduit électrique soit coupée.
2. Marquer et percer des trous pour fixer les supports d'extrémité. Utiliser deux (2) boulons de 1/4 po (non inclus) au centre pour centrer les mesures (voir la figure 1).
3. Le luminaire peut maintenant être installé. Il est fortement recommandé que deux (2) professionnels qualifiés réalisent le montage final du luminaire, afin d'éviter des blessures corporelles ou des dommages au luminaire.
4. Pour le montage latéral des supports d'extrémité, il est recommandé de fixer un premier support, d'y insérer le luminaire tout en le soutenant, puis de fixer l'autre support.



AVERTISSEMENT

Ne pas laisser pendre le luminaire sur un seul support à la fois. Le non-respect de ces directives peut entraîner la rupture du support et des blessures corporelles, voire la mort.

5. Orienter le luminaire afin d'obtenir l'éclairage souhaité, puis serrer les vis de pression de 1/4 po sur les supports. Serrer à un couple de 8,8 N.m (78 lb-po).
6. Utiliser une vis de pression pour limiter la rotation du luminaire.

Longueur	Dimensions	
	po	mm
A	52,3	1 329
B	50,3	1 278

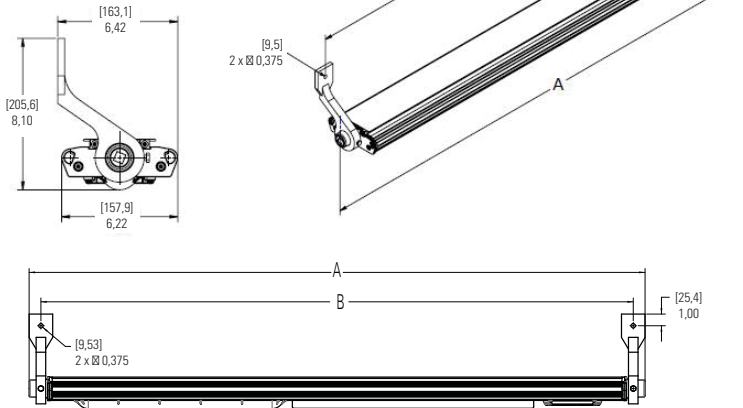


Figure 1. Montage latéral du DP1052MTK

B. DP1053MTK

1. Avant d'installer le luminaire, veiller à ce que l'alimentation vers le conduit électrique soit coupée.
2. Marquer et percer des trous pour fixer les supports d'extrémité. Utiliser deux (2) boulons de 1/4 po (non inclus) au centre pour centrer les mesures (voir la figure 2).
3. Le luminaire peut maintenant être installé. Il est fortement recommandé que deux (2) professionnels qualifiés réalisent le montage final du luminaire, afin d'éviter des blessures corporelles ou des dommages au luminaire.
4. Pour le montage au mur ou au plafond des supports d'extrémité, il est recommandé de fixer un premier support, d'y insérer le luminaire tout en le soutenant, puis de fixer l'autre support.

⚠ AVERTISSEMENT

Ne pas laisser pendre le luminaire sur un seul support à la fois. Le non-respect de ces directives peut entraîner la rupture du support et des blessures corporelles, voire la mort.

5. Orienter le luminaire afin d'obtenir l'éclairage souhaité, puis serrer les vis de pression de 1/4 po sur les supports. Serrer à un couple de 8,8 N.m (78 lb-po).
6. Utiliser une vis de pression pour limiter la rotation du luminaire.

Longueur	Dimensions	
	po	mm
A	52,3	1 329
B	47,0	1 194

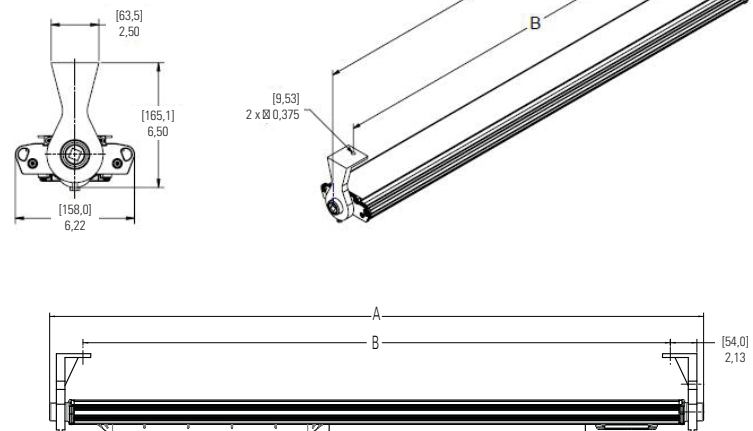


Figure 2. Montage au mur ou au plafond du DP1053MTK

C. DP1057MTK

1. Avant d'installer le luminaire, veiller à ce que l'alimentation vers le conduit électrique soit coupée.
2. Pour le montage arrière, utiliser le support comme modèle pour marquer des trous et les percer dans la surface de montage, puis utiliser les boulons de 5/16 po inclus (voir la figure 3).
3. Le luminaire peut maintenant être installé. Il est fortement recommandé que deux (2) professionnels qualifiés réalisent le montage final du luminaire, afin d'éviter des blessures corporelles ou des dommages au luminaire.
4. Faire glisser le luminaire sur le support de montage de manière à engager la bride sur le luminaire, puis positionner celui-ci près du centre.
5. Serrer à fond les deux (2) vis de pression de 1/4 po sur le support coulissant. Serrer à un couple de 8,8 N.m (78 lb-po).

Longueur	Dimensions	
	po	mm
A	52,3	1 329
B	18,2	462

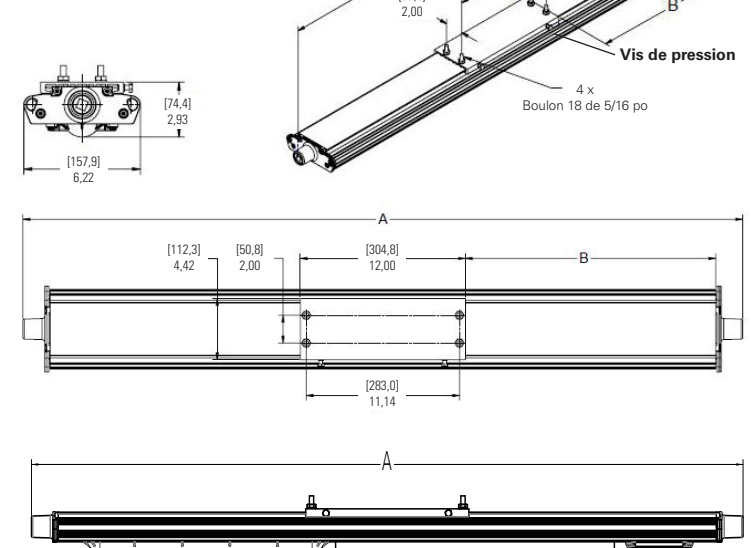


Figure 3. Montage arrière du DP1057MTK

D. DP1050MTK

1. Avant d'installer le luminaire, veiller à ce que l'alimentation vers le conduit électrique soit coupée.
2. Marquer et percer des trous pour fixer les supports pivotants. Utiliser deux (2) boulons de 1/4 po (non inclus) au centre pour centrer les mesures. Espacer les trous des supports pivotants au besoin. Les supports doivent être espacés d'au moins 305 mm (12 po) [voir figure 5].
3. Le luminaire peut maintenant être installé. Il est fortement recommandé que deux (2) professionnels qualifiés réalisent le montage final du luminaire, afin d'éviter des blessures corporelles ou des dommages au luminaire.
4. Faire glisser le luminaire sur les supports de montage de manière à engager la bride sur le luminaire, puis positionner celui-ci près du centre.

⚠ AVERTISSEMENT

Ne pas laisser pendre le luminaire sur un seul support à la fois. Le non-respect de ces directives peut entraîner la rupture du support et des blessures corporelles, voire la mort.

5. Serrer à fond les deux (2) vis de pression de 1/4 po sur chaque support coulissant (voir la figure 4). Serrer à un couple de 8,8 N.m (78 lb-po).
6. Régler la position du luminaire selon l'angle souhaité, puis serrer les deux (2) boulons à œil de 5/16 po. Serrer à un couple de 15,6 N.m (138 lb-po).

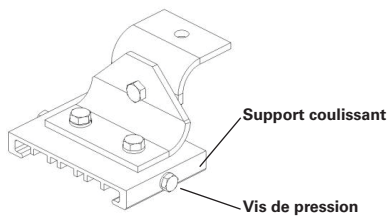


Figure 4. Détails du montage pivotant

Longueur	Dimensions	
	po	mm
A	52,3	1 329
B	9 à 51	222 à 1 289

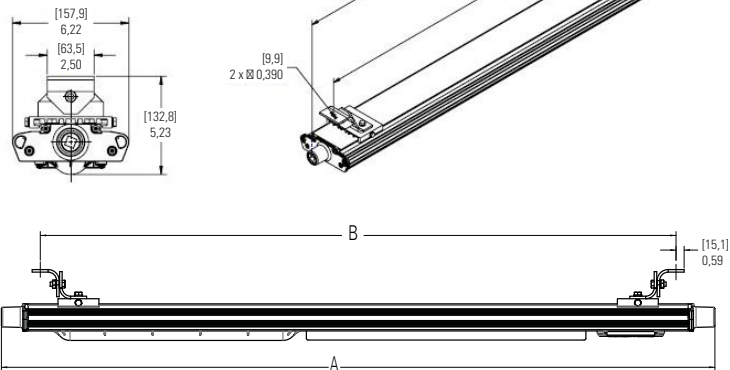


Figure 5. Montage pivotant du DP1050MTK

E. Trousse MP1054MTK (adaptateur de profilé et support coulissant inclus)

1. Avant d'installer le luminaire, veiller à ce que l'alimentation vers le conduit électrique soit coupée.
2. Repérer les supports fournis dans la trousse MP1054MTK. Pour une amélioration de l'éclairage, inspecter les supports existants et les remplacer au besoin.
3. Marquer et percer des trous pour fixer les supports au mur ou au plafond à l'aide de deux (2) boulons de 1/4 po (non inclus). Les trous des supports MagnaPro peuvent être espacés selon la convenance; il est recommandé de les séparer d'au moins 305 mm (12 po) [voir figure 6].
4. Fixer les supports de la trousse MP1054MTK au mur ou au plafond. S'assurer que les supports sont parallèles.
5. Installer un (1) adaptateur de profilé avec support coulissant sur chaque support MP1054MTK. Faire glisser le côté long de l'adaptateur de profilé dans les fentes du support, puis serrer les deux (2) vis cruciformes aux extrémités de chaque support MP1054MTK. S'assurer que les supports coulissants sont parallèles (voir la figure 7).
6. Le luminaire peut maintenant être installé. Il est fortement recommandé que deux (2) professionnels qualifiés réalisent le montage final du luminaire, afin d'éviter des blessures corporelles ou des dommages au luminaire.
7. Soulever le luminaire en position et le faire glisser sur les supports coulissants de manière à engager la bride sur le luminaire, puis positionner celui-ci près du centre.

AVERTISSEMENT

Ne pas laisser pendre le luminaire sur un seul support à la fois. Le non-respect de ces directives peut entraîner la rupture du support et des blessures corporelles, voire la mort.

8. Serrer à fond les deux (2) vis de pression de 1/4 po sur chaque support coulissant (voir la figure 7). Serrer à un couple de 8,8 N.m (78 lb-po).

Longueur	Dimensions	
	po	mm
A	52,3	1 329
B	24 à 46	610 à 1 168

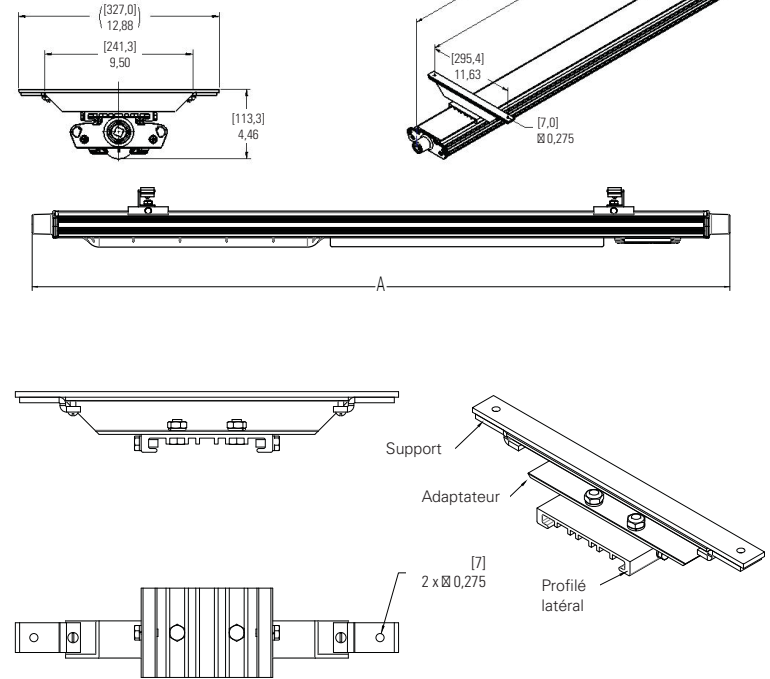


Figure 7. Détails de la trousse de montage MagnaPro MP1054MTK

Trousse MP1054MTK A

Comme la trousse MP1054MTK, mais les supports MagnaPro MP1054MTK ne sont pas inclus. Pour utiliser cette trousse, suivre les instructions de la trousse MP1054MTK à partir de l'étape 5.

F. TROUSSE – MONTAGE SUR MÂT

1. Avant d'installer le luminaire, veiller à ce que l'alimentation vers le conduit électrique soit coupée.
2. Avant l'installation, s'assurer que le diamètre intérieur du collier est compatible avec le diamètre du mât. Les colliers sont disponibles dans les tailles 42 mm (1,65 po), 51 mm (2 po) et 60 mm (2,36 po).
3. Les supports de montage sur mât peuvent être espacés selon la convenance; il est recommandé de les séparer d'au moins 305 mm (12 po) [voir figure 8].
4. Faire glisser les deux (2) supports de montage sur mât sur le luminaire de manière à engager la bride.
5. Serrer à fond les deux (2) vis de pression de 1/4 po sur chaque support coulissant (voir la figure 9). Serrer à un couple de 8,8 N.m (78 lb-po).
6. Retirer les deux (2) vis de 5/16 po, les rondelles de blocage et les écrous de chaque collier et retirer les moitiés supérieures des colliers.
7. Le luminaire peut maintenant être installé. Il est fortement recommandé que deux (2) professionnels qualifiés réalisent le montage final du luminaire, afin d'éviter des blessures corporelles ou des dommages au luminaire.
8. Positionner le luminaire de manière à ce que les moitiés inférieures des colliers entourent le mât.
9. Sur chaque collier, installer les deux (2) moitiés supérieures des colliers et les vis de 5/16 po, les rondelles de blocage et les écrous.
10. Serrer uniformément en alternance les écrous sur les vis de 5/16 po. Serrer à un couple de 15,6 N.m (138 lb-po).

Longueur	Dimensions	
	po	mm
A	52,3	1 329
B	24 à 45	610 à 1 143

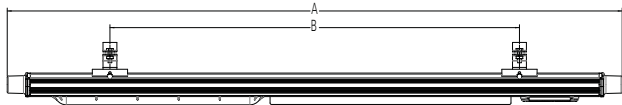
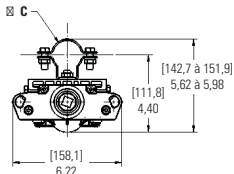
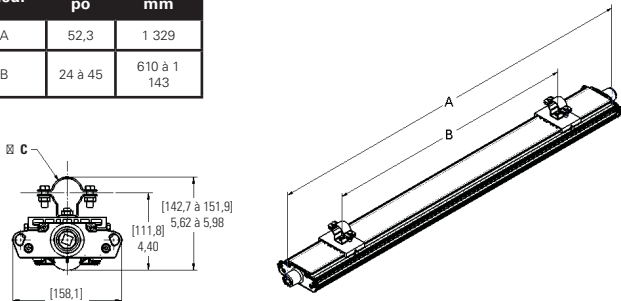


Figure 8. TROUSSE – Montage sur mât

Configuration	Dimension (pouces)			
	A	B	C	D
Trousse 2.0 (taille commerciale de 2 po)	4,331	3,543	2,36	1,693
Trousse 1.5 (taille commerciale de 1 1/2 po)	3,740	2,953	2,00	1,535
Trousse 1.25 (taille commerciale de 1 1/4 po)	3,386	2,598	1,65	1,378

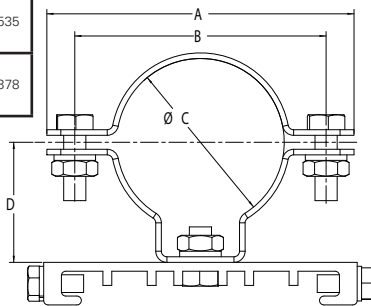
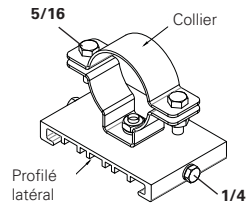


Figure 9. TROUSSE – Détails du montage sur mât

G. TROUSSE PEND HAZ

- Avant d'installer le luminaire, veiller à ce que l'alimentation du conduit électrique soit coupée.
- Pour le montage du luminaire suspendu, le conduit électrique doit être aligné avec le centre de gravité du luminaire. La longueur du câble fourni dans la trousse est adéquate pour cet emplacement.
- Poser le support de montage coulissant avec la boîte de jonction sur la bride de montage du luminaire, comme illustré à la figure 10. Ajuster la position du support de montage coulissant selon la distance C indiquée dans le tableau. Remarque : La distance C se rapporte à l'extrémité de la bride de montage du luminaire.
- Serrer à fond les vis de pression de 1/4 po sur le support coulissant. Serrer à un couple de 8,8 N.m (78 lb-po).
- Du lubrifiant de filets STL Eaton's Crouse-Hinds doit être ajouté aux filets du conduit afin d'empêcher l'eau de s'infiltrer dans le luminaire.
- Installer un (1) corps fileté de goupille de câble à la boîte de jonction et un (1) corps fileté de goupille de câble au plot de l'extrémité du circuit de commande du luminaire. Se reporter à la fiche IF 1647 pour des directives sur l'installation du raccord TMCX et sur la préparation du câble.
- Placer le câble de manière similaire à celle illustrée à la figure 10.
- Acheminer le câble dans les corps filetés des goupilles de câble aux extrémités et serrer les écrous arrière des goupilles. Serrer au couple indiqué dans la fiche IF 1647.
- Effectuer les raccordements électriques dans le compartiment du circuit du luminaire. Se reporter à la section CÂBLAGE DU LUMINAIRE. Le câble fourni est un câble de calibre 14 AWG.
- Retirer l'ensemble capot de la boîte de jonction (voir la figure 11).
- Installer une boucle de rétention sur le conduit.
- Du lubrifiant de filets STL Eaton's Crouse-Hinds doit être ajouté aux filets du conduit afin d'empêcher l'eau de s'infiltrer dans la boîte de jonction.
- En serrant bien l'écrou, visser l'ensemble capot sur le support du conduit jusqu'à ce que le conduit et le mamelon soient complètement engagés (voir la figure 11).
- Tirer les câbles posés sur le terrain à travers le couvercle du crochet.

- Le luminaire peut maintenant être installé. Il est fortement recommandé que deux (2) professionnels qualifiés réalisent le montage final du luminaire, afin d'éviter des blessures corporelles ou des dommages au luminaire.
- Effectuer les raccordements électriques dans la boîte de jonction. S'assurer que les fils de mise à la terre sont raccordés à la vis de mise à la terre qui se trouve dans la boîte de jonction.
- Desserrer l'écrou d'un tour complet pour permettre au couvercle et à l'écrou du crochet de tourner librement autour du mamelon et du conduit.
- Visser le couvercle du crochet sur la boîte de jonction et serrer la vis de pression.
- Placer le luminaire dans la position souhaitée, puis serrer complètement l'écrou afin que le couvercle et l'écrou du crochet ne puissent plus tourner librement autour du mamelon et du conduit.
- Serrer les trois (3) vis de pression sur l'écrou.
- Poser le luminaire sur le couvercle du crochet de suspension à l'aide des vis n° 10 fournies. Serrer les vis de sorte à assurer l'étanchéité du joint et la solidité du montage. Serrer à un couple de 2,3 N.m (20 lb-po).

Longueur	Dimensions	
	po	mm
A	55,8	1 418
B	52,3	1 329
C	16	406
(D)	24	610
(E)	58,9	1 495

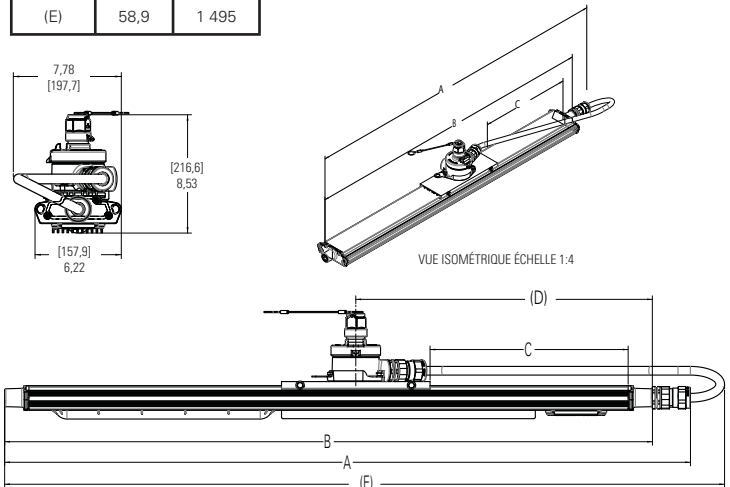


Figure 10

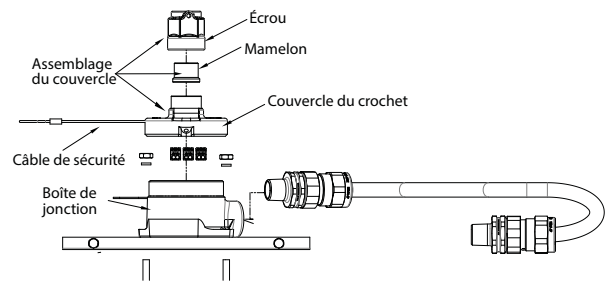


Figure 11

SUPPORT SECONDAIRE

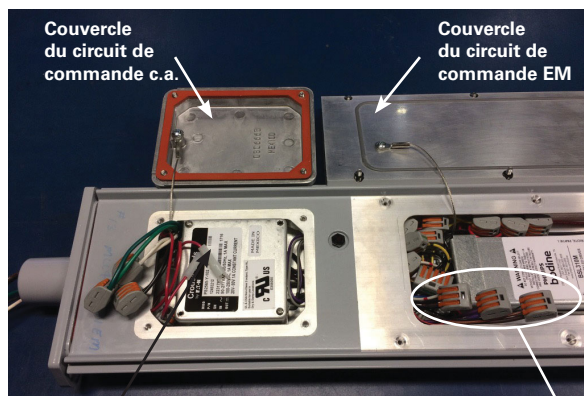
En cas d'utilisation d'un support secondaire, attacher l'une des extrémités du câble de soutien à l'œillet se trouvant au bout du luminaire, et fixer l'autre extrémité à un support fixe. Utiliser au moins deux (2) câbles de soutien par luminaire, en fixant au moins un (1) câble à chaque extrémité.

Les câbles de soutien doivent être installés de façon à ce que le luminaire ne se retrouve pas à plus de 18 pouces sous sa position initiale. Ils doivent être installés ainsi afin de limiter la chute potentielle du luminaire à 18 pouces.

CÂBLAGE DU LUMINAIRE

Le câblage du luminaire est effectué à l'usine et les fils du circuit EM chargé (noir) et de l'interrupteur au mur (blanc/rouge) sont connectés. Une source d'alimentation en c.a. non commutable est requise (120-277 Vca, 50/60 Hz). L'utilisation d'une source d'alimentation commutable ou d'interrupteurs d'essai à distance nécessite les connexions supplémentaires décrites à la fin de cette section.

- Ouvrir le couvercle du circuit de commande c.a. en desserrant les quatre (4) vis n° 10-32 de 0,75 po du couvercle en acier inoxydable (voir la figure 12). Tous les composants du luminaire sont précâblés, de sorte qu'il ne reste qu'à raccorder le fil de phase, le fil neutre et le fil de mise à la terre du luminaire aux fils conducteurs (ou aux bornes) en suivant les schémas de câblage (voir les figures 15 et 16) et en respectant les méthodes conformes aux codes en vigueur. Raccorder d'abord le conducteur de mise à la terre (vert) de l'appareil, puis le courant (blanc) et la tension de ligne (noir). Serrer tous les raccordements électriques. **REMARQUE :** Les ouvertures standards NPT sont de 1,9 cm (3/4 po).
- En cas d'utilisation de la fonction de gradation des circuits de commande : N'utiliser que des commandes d'éclairage de 0-10 Vcc homologuées. S'assurer que les contrôles sont approuvés pour l'emplacement dangereux dans lequel ils sont installés. Suivre les directives d'installation du fabricant et les méthodes de câblage pertinentes conformes au NEC et au CCE. S'assurer que le contrôle d'éclairage et le luminaire à DEL sont débranchés. Utiliser un fil approuvé pour une température minimale de 75 °C pour une température ambiante ne dépassant pas 40 °C. Brancher la borne positive de l'unité de contrôle d'éclairage au fil conducteur mauve (+) du circuit de commande. Brancher ensuite la borne négative de l'unité de contrôle d'éclairage au fil conducteur gris (-) du circuit de commande de DEL.
- S'il n'y a pas de connexions d'alimentation (TF) ou d'interrupteur, passer à l'étape 9.
- Pour les modèles avec le suffixe « TF », utiliser le ruban de tirage fourni pour le câblage vers le circuit ou vers les multiples dispositifs (maximum de cinq [5]) de la guirlande. Pour le câblage, se reporter au schéma. Un maximum de quatre (4) conducteurs peut passer par le plot le plus près du circuit, et un maximum de quatre (4) conducteurs peut passer par le plot le plus éloigné du circuit.
- Une fois le câblage d'alimentation posé, ou si aucun câblage d'alimentation n'est requis, retirer le ruban de tirage et le jeter.
- Pour connecter une source d'alimentation commutable supplémentaire, retirer le couvercle du circuit de commande EM en desserrant les dix (10) vis n° 8-32 de 0,50 po du couvercle en acier inoxydable (voir la figure 12). Repérer le connecteur comportant les fils noir et blanc/rouge du circuit de commande EM. Déconnecter le fil blanc/rouge et le reconnecter à l'entrée de ligne commutable en suivant les schémas de câblage et en respectant les méthodes conformes aux codes en vigueur.
- Pour connecter un interrupteur d'essai à distance, retirer le couvercle du circuit de commande EM en suivant les directives de l'étape 8. Repérer les deux (2) connecteurs comportant les fils mauve et brun du circuit de commande EM. Connecter les câbles à l'interrupteur d'essai à l'aide des connecteurs à trois (3) conducteurs fournis.
- Replacer le couvercle du circuit de commande EM et serrer les dix (10) vis de montage à 2,3 N.m (20 lb-po).
- Reconnecter le connecteur de batterie/convertisseur (câbles rouges), qui est déconnecté pour éviter qu'il se décharge pendant le transport.
- Replacer le couvercle du circuit de commande c.a. et serrer les quatre (4) vis de montage à 3,6 N.m (32 lb-po).
- Remplacer les vis endommagées ou manquantes du couvercle. Consulter l'usine pour des pièces de rechange.



Connecteur de batterie/convertisseur

Connecteurs pour alimentation commutable et interrupteur d'essai à distance

Figure 12

LISTE DE VÉRIFICATION D'INSTALLATION DU CÂBLAGE

- Vérifier qu'une quantité suffisante de lubrifiant STL recouvre les entrées de conduit et que toutes les entrées de conduit non utilisées sur les bouchons sont fermées par des fiches lubrifiées (voir la figure 13).
- Vérifier que le conduit est installé sur au moins cinq (5) filetages complets dans les entrées de conduit des bouchons. Un manchon de verre STL d'approximativement 3,2 mm (1/8 po) est recommandé sur les entrées de conduit.
- Vérifier que le couple de serrage du conduit installé se situe entre 57 et 71 N.m (42 à 52 lb-pi) pour une fiche de 1,9 cm (3/4 po).
- S'assurer que les fils d'alimentation sont connectés aux fils conducteurs du luminaire (ou au bloc de jonction) conformément aux schémas de câblage.
- S'assurer que tous les raccordements électriques sont bien serrés.
- S'assurer que l'emplacement des fils est sécuritaire et adéquat, soit à l'intérieur du couvercle du circuit de commande et non sur le circuit de commande. Replacer le couvercle du circuit de commande sur le boîtier du luminaire (voir la figure 14).
- S'assurer que les vis de fixation imperdables sont serrées à 3,6 N.m (32 lb-po) et que le couvercle est en contact avec le boîtier du luminaire.

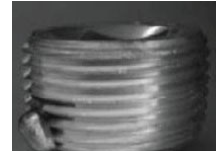


Figure 13



Figure 14

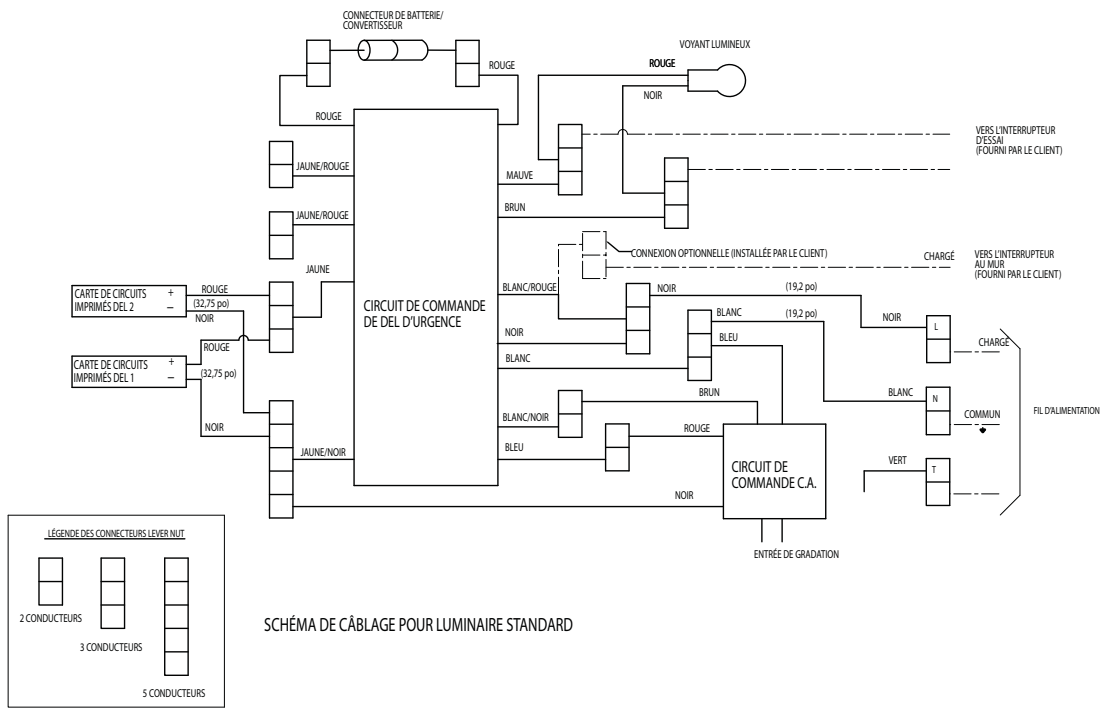


Figure 15

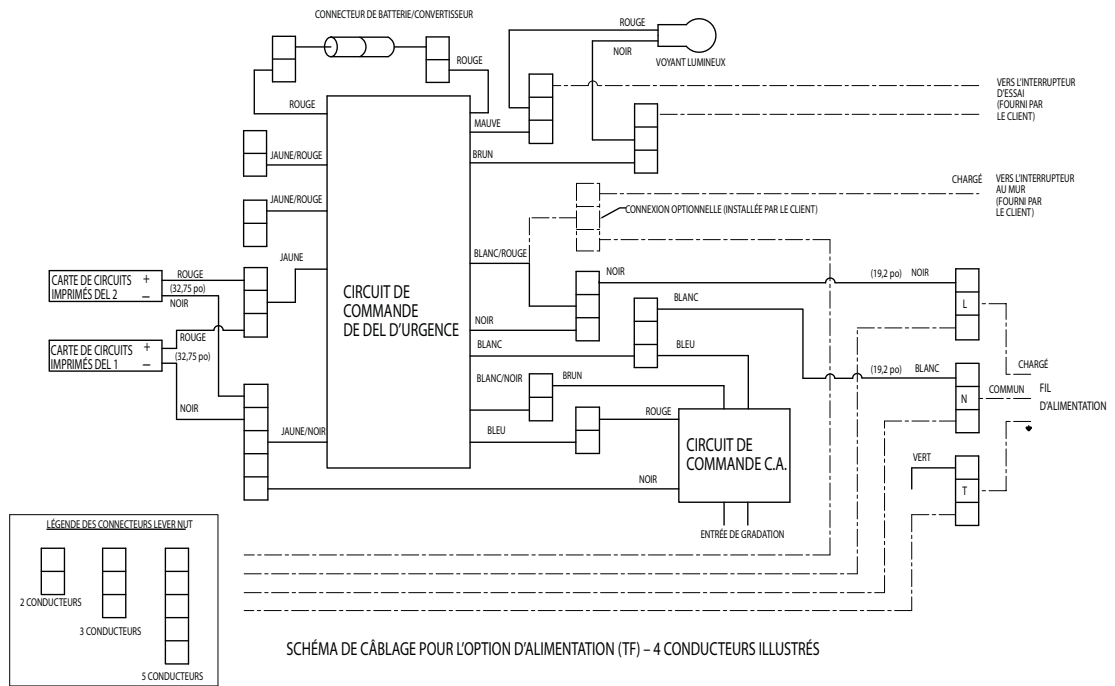


Figure 16

ENTRETIEN GÉNÉRAL

- Déconnecter le connecteur de batterie/convertisseur lors de périodes prolongées de perte de puissance (plus d'une semaine). Si le luminaire est hors service pendant plus d'un an, effectuer la mise à l'essai annuelle et remplacer les blocs-batteries au besoin. **Remarque** : La capacité d'une batterie peut généralement être restaurée après environ trois (3) cycles de charge/décharge complète.
- Effectuer régulièrement des inspections visuelles, électriques et mécaniques. La fréquence des inspections dépend de l'environnement et de l'intensité de l'utilisation. Il est toutefois recommandé d'effectuer une inspection au moins une fois par an. Nous recommandons un programme d'entretien électrique préventif conforme au bulletin NFPA 70B de la National Fire Protection Association : « Recommended Practice for Electrical Equipment Maintenance » (www.nfpa.org).
- Les lentilles doivent être nettoyées à intervalles réguliers pour s'assurer d'un bon éclairage continu. Pour les nettoyer, essuyer les lentilles à l'aide d'un chiffon humide et propre. Au besoin, utiliser un savon doux ou un nettoyant liquide, comme Collinite NCF ou Duco n° 7. Ne pas utiliser d'abrasif ni de nettoyant fortement alcalin ou acide, car ils pourraient endommager les lentilles.
- Rechercher la présence de décoloration sur les fils ou sur d'autres composants indiquant une surchauffe, de pièces endommagées, ou d'infiltration d'eau ou de corrosion à l'intérieur indiquant une fuite. Remplacer tous les composants usés, endommagés ou défectueux, et nettoyer les joints d'étanchéité avant de remettre le luminaire sous tension.
- Vérifier que tous les raccordements électriques sont propres et bien serrés. Vérifier que toutes les pièces sont bien assemblées.
- Vérifier et resserrer tout l'équipement de montage.
- Afin d'éviter une surchauffe, enlever la poussière du boîtier du luminaire à DEL à l'aide d'une brosse à poils souples ou d'air comprimé.
- S'assurer que l'environnement est sécuritaire avant d'ouvrir le boîtier.
- S'assurer que l'alimentation est coupée avant d'entreprendre des travaux d'entretien, comme le retrait ou l'installation des circuits de commande et le remplacement de composants.

INTERRUPTEUR POUSSOIR D'ESSAI

Un interrupteur poussoir d'essai à distance (non inclus) qui convient à l'emplacement classifié de l'appareil doit être câblé dans le circuit d'alimentation afin de mettre périodiquement à l'essai la fonction d'opération d'urgence (se reporter au schéma de câblage).

CIRCUIT DE COMMANDE D'URGENCE

Les luminaires d'urgence DLL incluent un circuit de commande d'urgence. Déconnecter le connecteur de batterie/convertisseur avant d'effectuer l'entretien. La batterie chargée sera alors déconnectée des DEL. Le circuit de commande d'urgence doit être vérifié périodiquement afin de s'assurer de son bon fonctionnement.

ESSAIS PÉRIODIQUES

L'article 700 du NEC® stipule que « les systèmes doivent être mis à l'essai périodiquement et selon un horaire respectant les exigences de l'autorité compétente, afin d'assurer leur entretien dans des conditions de fonctionnement adéquates » [traduction], et qu'« un registre de ces essais et travaux d'entretien doit être tenu » [traduction].

En l'absence d'exigences d'une autorité locale relatives à des essais périodiques, les recommandations suivantes de la norme NFPA 101 (2003), Life Safety Code, sont fortement recommandées :

- Mensuellement : Procéder à une inspection visuelle du voyant lumineux de l'indicateur de charge. Il devrait être allumé lorsqu'alimenté en c.a. Actionner temporairement l'interrupteur poussoir d'essai. S'assurer que les luminaires d'urgence produisent une forte luminosité pendant tout le cycle d'essai. Consigner les résultats de l'essai sur la fiche d'entretien (fournie à la page 8).
- Annuellement : Éteindre l'alimentation en c.a. dans le tableau de distribution. Vérifier que les luminaires d'urgence restent allumés pendant au moins 1 h 30.

REMARQUE : Nous suggérons que cet essai se poursuive jusqu'à ce que l'alimentation électrique éteigne automatiquement la ou les lumières d'urgence. Ainsi, la pleine capacité des batteries sera conservée.

Consigner les résultats de l'essai sur la fiche d'entretien.

Un temps de charge de 24 heures est nécessaire pour que la batterie puisse fonctionner à pleine capacité.

En cas de mauvais fonctionnement de l'un des essais, il peut être nécessaire de remplacer le circuit de commande EM.

INSTRUCTIONS DE REMPLACEMENT DU CIRCUIT DE COMMANDE

Les trousse de remplacement du circuit de commande de DEL Crouse-Hinds suivantes peuvent être utilisées. Vérifier quel circuit de commande est offert en se référant au numéro du catalogue, puis commander la bonne trousse de remplacement Eaton's Crouse-Hinds. Avant l'installation, vérifier que le modèle et les valeurs de tension et d'intensité du circuit de remplacement correspondent aux caractéristiques du circuit de commande d'origine.



AVERTISSEMENT

Les couvercles des circuits de commande c.a. et EM sont les seuls raccords pouvant être entretenus par l'utilisateur.

Numéro de modèle du circuit de commande du fabricant	Numéro de catalogue	Luminaire compatible	Caractéristiques électriques inscrites sur le boîtier du luminaire	
			V	Hz
PS2565-Y102	Trousse VMVL/UNV1 (80 W, 1 A)	DLL4/UNV1 EM1	90-277 V _{ca}	50/60
BSL310HAZ	Trousse de circuit de commande MLL EM1	DLL4/UNV1 EM1	120-277 V _{ca}	50/60

REEMPLACEMENT DU CIRCUIT DE COMMANDE C.A.

- S'assurer de mettre le luminaire hors tension avant d'effectuer un entretien.
- Afin de faciliter le retrait du couvercle du circuit de commande c.a., un point d'appui se trouve dans l'un des coins du circuit (voir la figure 17).
- S'assurer que toutes les vis du couvercle du circuit de commande c.a. ont été retirées.
- Insérer la lame d'un tournevis à tête plate dans le point d'appui et tourner le tournevis.
- Ouvrir le couvercle du circuit de commande et le laisser tomber sur le support.
- Déconnecter le connecteur de batterie/convertisseur.
- Débrancher les conducteurs d'entrée et de sortie du circuit à remplacer (voir la figure 18). **REMARQUE** : Les connecteurs se trouvent sous le couvercle du circuit de commande EM.
- Retirer les deux (2) vis fixant le circuit de commande c.a., puis le retirer.
- Poser le nouveau circuit de commande c.a. fourni par Eaton's Crouse-Hinds.
- Remplacer le nouveau circuit c.a. dans le luminaire en s'assurant que les fils sont orientés vers le circuit de commande EM (voir la figure 14).
- S'assurer que le circuit de commande c.a. est en contact direct avec le boîtier du luminaire et qu'aucun fil n'est coincé entre le circuit de commande et le boîtier. Fixer le circuit à l'aide de deux (2) vis et serrer à 0,6 N.m (5 lb-po).
- Raccorder les fils du circuit de commande c.a. conformément aux schémas de câblage.
- Reconnecter le connecteur de batterie/convertisseur.
- Remplacer le couvercle du circuit de commande c.a. (se reporter à la section « Câblage du luminaire »).

REEMPLACEMENT DU CIRCUIT DE COMMANDE EM

- S'assurer de mettre le luminaire hors tension avant d'effectuer un entretien.
- Retirer le couvercle du circuit de commande c.a. comme expliqué plus haut.
- Déconnecter le connecteur de batterie/convertisseur.
- Desserrer les dix (10) vis du couvercle du circuit de commande EM, puis l'ouvrir et le laisser tomber sur le support (voir la figure 18).
- Déconnecter les fils du circuit de commande tout en mémorisant la position des connecteurs.
- Retirer les deux (2) colliers (deux [2] vis par collier) fixant le circuit de commande, puis le retirer.
- Poser le nouveau circuit de commande fourni par Eaton's Crouse-Hinds.
- Remplacer le nouveau circuit dans le luminaire en s'assurant que les fils sont orientés vers le circuit de commande c.a., que le circuit de commande EM est en contact direct avec le boîtier du luminaire et qu'aucun fil n'est coincé entre le circuit de commande EM et le boîtier. Fixer le circuit à l'aide de deux (2) colliers (deux [2] vis par collier) et serrer à 2,3 N.m (20 lb-po).
- Raccorder les fils du circuit de commande EM conformément aux schémas de câblage (voir les figures 15 et 16), puis ranger soigneusement les câbles et les connecteurs dans le boîtier.
- Remplacer le couvercle du circuit de commande EM (se reporter à la section « Câblage du luminaire »).
- Reconnecter le connecteur de batterie/convertisseur.
- Remplacer le couvercle du circuit de commande c.a. (se reporter à la section « Câblage du luminaire »).

