

SAVE THESE INSTRUCTIONS FOR FUTURE REFERENCE

APPLICATION

- Class I, Division 2, Groups A, B, C, D
- Class I, Zone 2, IIC, IIB, IIA
- Class II, Division 1, Groups F, G
- Class III
- Wet Locations
- NSF Splash Zone
- Ambient range: -40°C to +55°C
- UL844, UL1598, UL8750
- cUL, CSA C22.2 No. 137, CSA C22.2 No. 250

CONFIGURATIONS

- 13,000 lumens
- 17,000 lumens
- 25,000 lumens

VOLTAGE OPTIONS

- UNV1: 120-277 VAC, 127-250 VDC
- UNV34: 347-480 VAC

- IP66
 - NEMA 4X
- Not evaluated by UL

⚠ WARNING

To avoid the risk of fire or electric shock, this product should be installed, inspected and maintained by a qualified electrician only, in accordance with all applicable electrical codes. Verify power is in accordance with all applicable electrical codes.

⚠ WARNING

To avoid fire or explosion:

Be certain electrical power is OFF before and during installation and maintenance and that the area is free of flammable or explosive gases, vapors or dusts.

Luminaire must be wired with acceptable wiring method for the specific hazardous location area in accordance with the NEC or CEC as applicable and per the nameplate markings.

Do not install where the marked operating temperature exceeds the ignition temperature of the hazardous atmosphere.

Make sure the supply voltage is within the voltage range stated on the nameplate.

Do not remove LED windows. There are no serviceable components.

Make sure luminaire surfaces are cool when performing maintenance.

Keep tightly closed when in operation.

⚠ CAUTION

To avoid product degradation:

Avoid use in environments containing sulfur, chlorine or other halides, methyl acetate or ethyl acetate, cyanoacrylates, glycol ethers, formaldehyde or butadiene.

Mount luminaire a minimum of 3.65 inches (93mm) from ceiling (chain mount).

Mount luminaire a minimum of 4 feet (1.22 m) above floor.

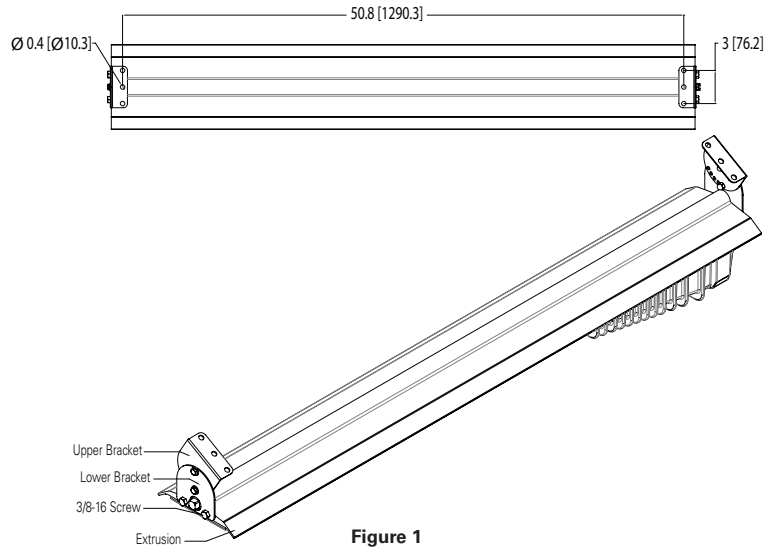


Figure 1

Chain Mount APX1093MTK (Ceiling Mount Only):

1. Make sure that the power is disconnected and the area is free of flammable or explosive gases, vapors or dusts before installing the luminaire.
2. Prepare ceiling with desired hook or chains to support the luminaire.
3. Mount the chain mount brackets on luminaire using two (2) hex head 3/8-16 x 1/2" screws. Torque 3/8-16 screws to 20 ft.-lbs. (27 N-m).
4. Luminaire is now ready for mounting with chain. Chain angle must be greater than 30° in relation to light luminaire (see Figure 2A).
5. Use threaded connections for wiring entry and close unused opening with provided conduit plug. Torque plug or connecting conduit to the torque specification in Table 1.

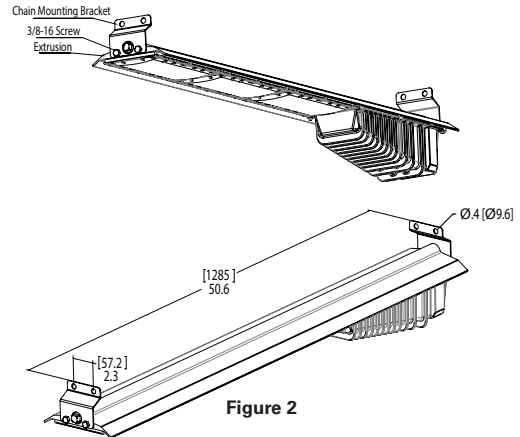


Figure 2

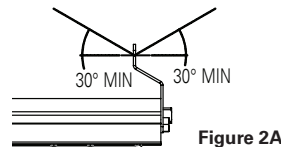


Figure 2A

INSTALLATION

Angular Bracket Mount APX1097MTK (Ceiling Mount Only):

1. Make sure that the power is disconnected and the area is free of flammable or explosive gases, vapors or dusts before installing the luminaire.
2. Measure and mark four (4) holes to wall or ceiling for bolts at center-to-center measurement (see Figure 1). Mount upper bracket to the ceiling with sufficient strength to support the luminaire.
3. Install the lower brackets to the luminaire with the hardware provided. Install the lower bracket using two (2) hex head 3/8-16 x 1/2" screws. Torque the 3/8-16 screws to 20 ft.-lbs. (27 N-m).
4. Use two (2) ¼-20 screw and cap nut to assemble lower and upper brackets together in straight or angular orientation. Torque ¼-20 screw and cap nut to 75 in.-lbs. (8.5 N-m). Luminaire is now ready for mounting.
5. Use threaded connections for wiring entry and close unused opening with provided conduit plug. Torque plug or connecting conduit to the torque specification in Table 1.

Torque Specification

3/4" NPT	500 in.-lbs.	56 N-m
M25	756 in.-lbs.	85 N-m

Table 1

WIRING

1. With the power shut off, use a No. 2 Pozidriv screwdriver to remove all six (6) retaining screws from the luminaire body.
2. Lanyards are provided to hold the driver housing in position.
3. Make required connections for input power and dimming (if applicable). For wiring diagrams, see Figures 4A or 4B depending on the model.
4. Using a No. 2 Pozidriv screwdriver, reinstall the driver housing to the luminaire body. Install the retaining screws in the order shown in Figure 3. To ensure even compression of the gasket, start all six (6) screws 1-2 turns before applying the full torque of 32 in-lbs.

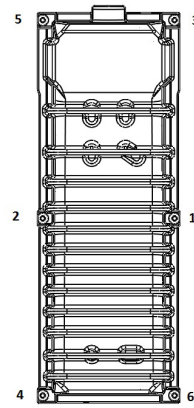
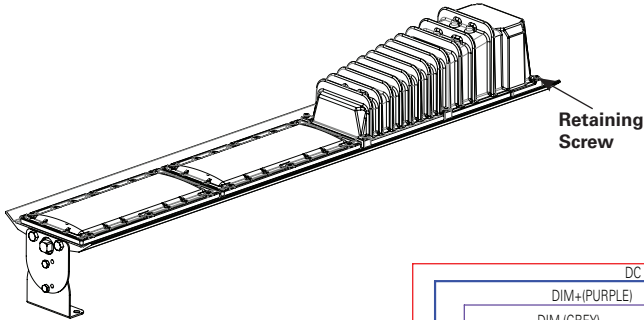


Figure 3



Field Connections

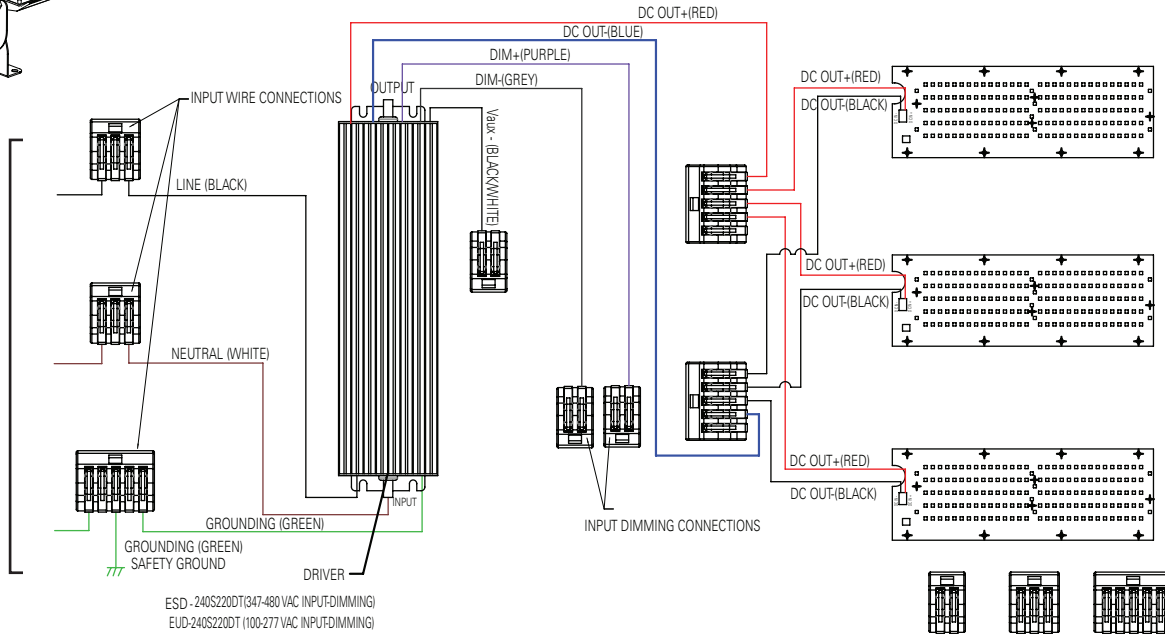
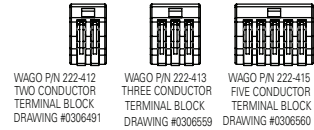


Figure 4A - Wiring Diagram (25L)



Field Connections

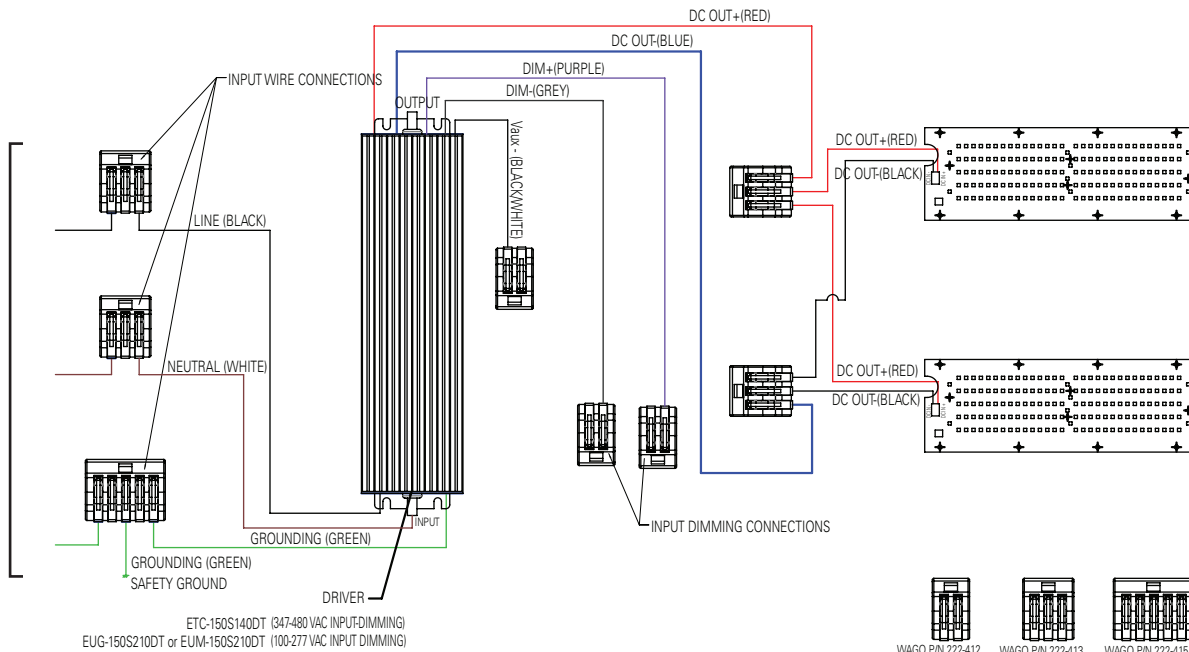
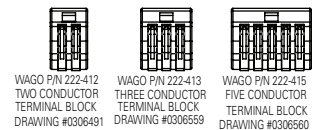


Figure 4B - Wiring Diagram (13L/17L)



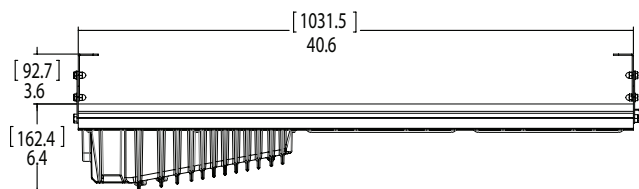
WEIGHTS

Configuration	25L	17L	13L
Assembly Weight in Lbs. (Kg.)	31.3 (14.2)	23.4 (10.6)	23.4 (10.6)
Angular Bracket Mount in Lbs. (Kg.)	0.7 (0.3)		
Aircraft Cable Mount in Lbs. (Kg.)	0.37 (0.16)		

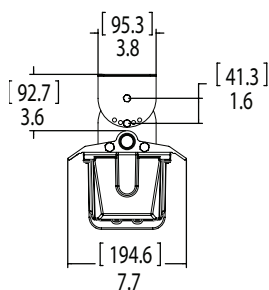
DIMENSIONS



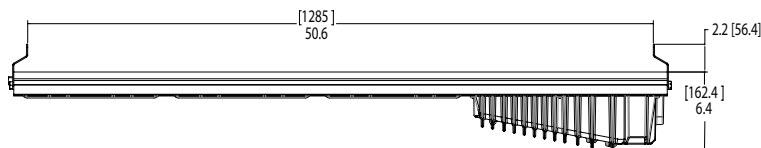
25L



13L/17L



25L or 13L/17L



25L (Chain Mount)

⚠ WARNING

To avoid the risk of explosion, fire or electrical shock, this product must be maintained by qualified personnel.

DRIVER REPLACEMENT

- Based on the electrical ratings marked on the luminaire housing, one of the following LED drivers from Eaton's Crouse-Hinds Division is suitable. Check and verify which particular driver is provided and based on that part number, order that specific driver from Eaton's Crouse-Hinds Division. Prior to installation, ensure the same driver part number, voltage and current ratings of the replacement match the original driver ratings that came with the luminaire.

Luminaire Cat. No.	Inventronics Driver Model No.	Electrical Ratings Marked on Luminaire Housing
SUM 13 & 17L - UNV1	EUC-150S140DTA	120-277 VAC; 127-250 VDC
SUM 13 & 17L - UNV34	ETC-150S140DT	347-480 VAC
SUM 25L - UNV1	EUD-240S220DT	120-277 VAC; 127-250 VDC
SUM 25L - UNV34	ESD-240S220DT	347-480 VAC

- Disconnect supply power and ensure luminaire is cool and the area is free of flammable or explosive gases, vapors or dusts.
 - With the power shut off, use a No. 2 Pozidriv screwdriver to remove all six (6) retaining screws from the luminaire body.
- NOTE:** The screws are captive and will remain in the driver housing.
- Disconnect the input power to the LED driver and disconnect the blue and red leads from the LED driver to the LEDs.
 - Remove the driver from the housing and install the new driver using the four (4) 8-32 screws, torqued to 20 in-lbs.
 - See wiring instructions to complete the installation.

MAINTENANCE

- Perform visual, electrical and mechanical inspections on a regular basis. The environment and frequency of use should determine this. However, it is recommended that checks be made at least once a year. We recommend an Electrical Preventive Maintenance Program as described in the National Fire Protection Association Bulletin NFPA No. 70B: Recommended Practice For Electrical Equipment Maintenance (www.nfpa.org).
- The lens should be cleaned periodically to ensure continued lighting performance. To clean, wipe the lens with a clean, damp cloth. If this is not sufficient, use a mild soap or a liquid cleaner such as Collinite NCF or Duco #7. Do not use an abrasive, strong alkaline or acid cleaner. Damage may result.
- Do not remove LED windows. There are no serviceable components.
- Visually check for undue heating evidenced by discoloration of wires or other components, damaged parts or leakage evidenced by water or corrosion in the interior.
- Electrically check to make sure that all connections are clean and tight.
- Mechanically check that all parts are properly assembled.
- Luminaire should be dusted periodically to avoid build-up of dust and overheating the luminaire.

REPLACEMENT PARTS

Pauluhn™ Summit Luminaires are designed to provide years of reliable lighting performance. However, should the need for replacement parts arise, they are available through your authorized Eaton's Crouse-Hinds Division distributor. Assistance may also be obtained through your local Eaton's Crouse-Hinds Division representative or Eaton's Crouse-Hinds Division Sales Service Department, 1201 Wolf Street, Syracuse, New York 13208, Phone (866) 764-5454.

All statements, technical information and recommendations contained herein are based on information and tests we believe to be reliable. The accuracy or completeness thereof are not guaranteed. In accordance with Eaton's Crouse-Hinds Division's "Terms and Conditions of Sale," and since conditions of use are outside our control, the purchaser should determine the suitability of the product for his intended use and assumes all risk and liability whatsoever in connection herewith.