

SAVE THESE INSTRUCTIONS FOR FUTURE REFERENCE

APPLICATION

Linear LED fixtures are suitable for use in the following locations as defined by the National Electrical Code (NEC®):

The assembled luminaire shall be installed in accordance with the National Electric Code NFPA70, and American Bureau of Shipping and Coast Guard CG-259 requirements.

NEC/CEC:

- Wet location, IP66, Type 4X

These luminaire housings shall be used with UL Listed Crouse-Hinds hazardous locations luminaire fitting mounting means, Cat Nos. DP1052MTK, DP1053MTK, DP1057MTK, DP1050MTK, MP1054MTK Kit, MP1054 MTK A KIT, PM Kit 1.25, PM Kit 1.5, PM Kit 2.0, PEND ORD KIT, PLL1059MTK.

UL Standards:

- UL1598 Luminaires, UL1598A Marine
- UL8750 LED Equipment for Lighting Products

CSA Standard:

- CSA C22.2 No. 250

Refer to the fixture nameplate for maximum ambient temperature suitability and electrical specifications.

Linear LED fixture construction is designed for use indoors and outdoors in marine and wet locations, where moisture, dirt, corrosion, vibration and rough usage may be present.

INPUT VOLTAGE:

- UNV1: 90-277 VAC 50/60 Hz and 108-250 VDC
- UNV34: 347-480 VAC 50/60 Hz

WARNING

To avoid the risk of fire or electric shock, this product should be installed, inspected and maintained by a qualified electrician only, in accordance with all applicable electrical codes.

WARNING

To avoid electric shock, be certain electrical power is OFF before and during installation and maintenance. Fixture must be supplied by a wiring system suitable per NEC with an equipment grounding conductor. To avoid burning hands, make sure lens and lamp are cool when performing maintenance.

WARNING

To avoid damage to equipment, make sure the supply voltage is the same as the fixture voltage.
Do not operate in ambient temperatures above those indicated on the fixture nameplate.
Use only replacement parts from Eaton's Crouse-Hinds.
Use proper supply wiring as specified on the fixture nameplate.
All gasket seals must be clean.
Before opening, electrical power to the fixture must be turned off. Keep tightly closed when in operation.

Length	2 Foot (in)	2 Foot (mm)	4 Foot (in)	4 Foot (mm)
A	28.3	720	52.3	1329
B	26.3	669	50.3	1278

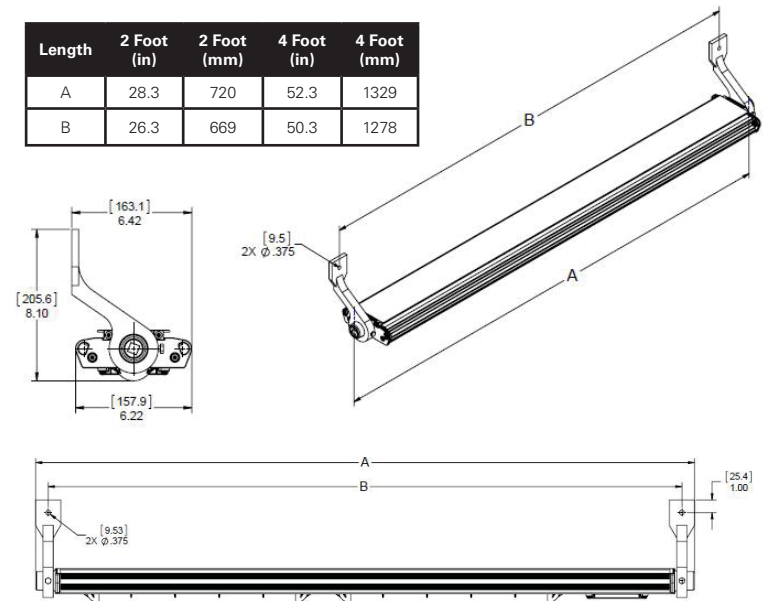


Figure 1. DP1052MTK Side Mount Installation

INSTALLATION

MOUNTING KITS

A. DP1052MTK

- Make sure the power is disconnected to the conduit system before installing the fixture.
- Mark and drill holes for fastening end brackets. Use two (2) 1/4" bolts (not supplied) at center to center measurements (see Figure 1).
- Fixture is now ready for mounting. It is strongly suggested to use two (2) qualified tradespeople to proceed with the final mounting of the fixture. This is recommended to avoid any personal injury or damage to the fixture.
- For end mount side mounting brackets, it is recommended to mount one bracket first and then, while supporting the fixture, insert it into the mounted bracket, then attach the other bracket.

WARNING

Do not let the fixture hang or flex on one bracket at a time. Failing to comply will result in breakage of bracket and possible injury or death.

- Aim the fixture to achieve desired light output and tighten the 1/4" set screws on brackets. Torque to 78 in.-lbs. (8.8 N-m).
- Use set screw to limit rotation of the luminaire.

WARNING

Do not let the fixture hang or flex on one bracket at a time. Failing to comply will result in breakage of bracket and possible injury or death.

- Aim the fixture to achieve desired light output and tighten the 1/4" set screws on brackets. Torque to 78 in.-lbs. (8.8 N-m).
- Use set screw to limit rotation of the luminaire.

Length	2 Foot (in)	2 Foot (mm)	4 Foot (in)	4 Foot (mm)
A	28.3	720	52.3	1329
B	23.0	584	47.0	1194

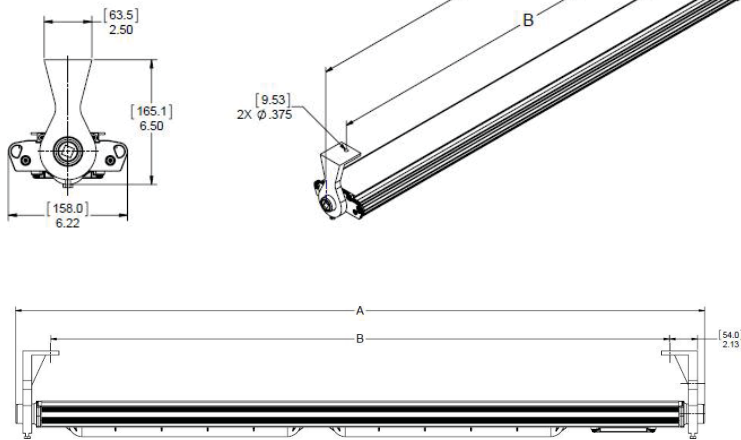


Figure 2. DP1053MTK Wall/Ceiling Mount Installation

C. DP1057MTK

1. Make sure the power is disconnected to the conduit system before installing the fixture.
2. For back mount, use the bracket as a template, mark and drill holes into the mounting system and use supplied 5/16" bolts (see Figure 3).
3. Fixture is now ready for mounting. It is strongly suggested to use two (2) qualified tradespeople to proceed with the final mounting of the fixture. This is recommended to avoid any personal injury or damage to the fixture.
4. Slide the fixture into the mount bracket, engaging the flange on the top of the fixture and position it near the center.
5. Tighten the two (2) 1/4" set screws on the slide bracket until they bottom. Torque to 78 in.-lbs. (8.8 N-m).

Length	2 Foot (in)	2 Foot (mm)	4 Foot (in)	4 Foot (mm)
A	28.3	720	52.3	1329
B	6.2	157.5	18.2	462

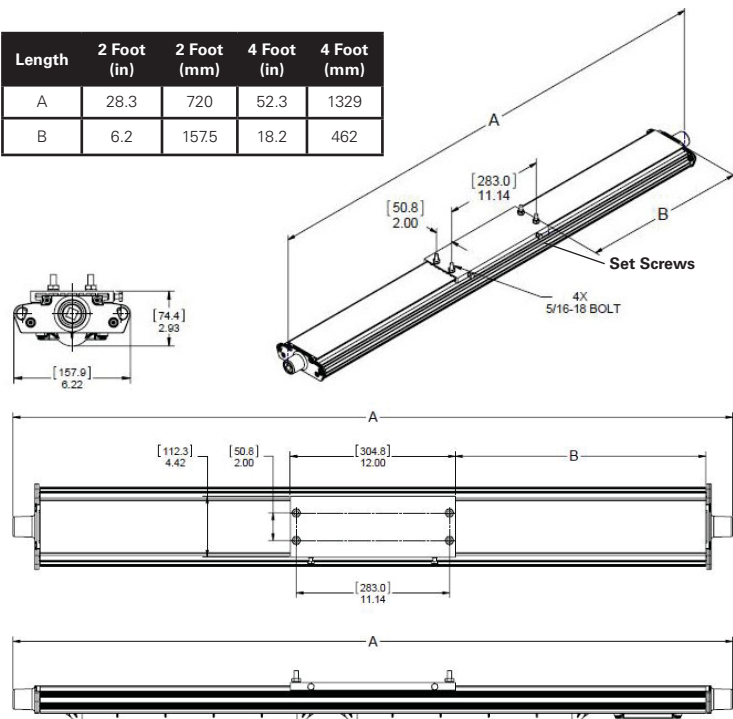


Figure 3. DP1057MTK Back Mount Installation

D. DP1050MTK

1. Make sure the power is disconnected to the conduit system before installing the fixture.
2. Mark and drill holes for fastening swivel brackets. Use two (2) 1/4" bolts (not supplied) at center to center measurements. For swivel brackets, holes may be spaced as required. It is recommended to keep them at least 12" (305mm) apart (see Figure 5).
3. Fixture is now ready for mounting. It is strongly suggested to use two (2) qualified tradespeople to proceed with the final mounting of the fixture. This is recommended to avoid any personal injury or damage to the fixture.
4. Slide the fixture into the mount brackets, engaging the flange on the top of the fixture and position it near the center.



WARNING

Do not let the fixture hang or flex on one bracket at a time. Failing to comply will result in breakage of bracket and possible injury or death.

5. Tighten the two (2) 1/4" set screws on each slide bracket until they bottom (see Figure 4). Torque to 78 in.-lbs. (8.8 N-m).
6. Adjust the position of the fixture to the desired angle and tighten the two (2) 5/16" pivot bolts. Torque to 138 in.-lbs. (15.6 N-m).

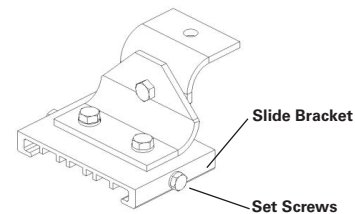


Figure 4. Swivel Mount Details

Length	2 Foot (in)	2 Foot (mm)	4 Foot (in)	4 Foot (mm)
A	28.3	720	52.3	1329
B	9-27	222-681	9-51	222-1289

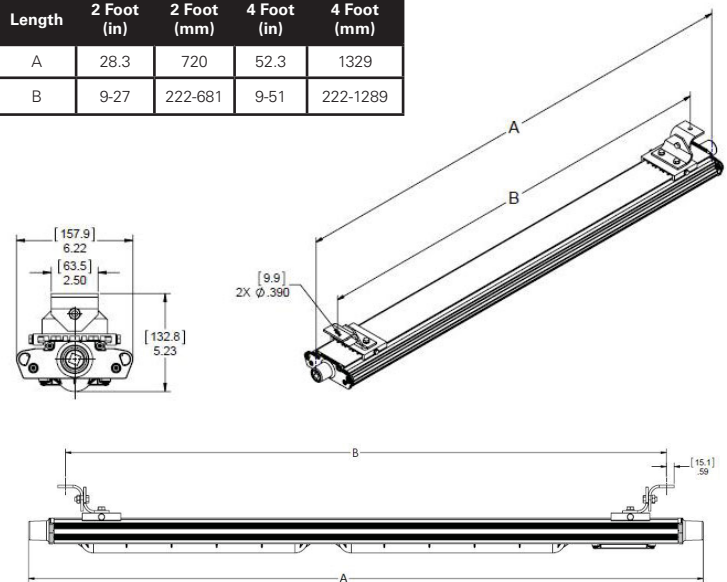


Figure 5. DP1050MTK Swivel Mount Installation

E. MP1054MTK KIT (includes channel adapter and slide bracket)

1. Make sure the power is disconnected to the conduit system before installing the fixture.
2. Locate the MP1054MTK Kit brackets supplied in the kit. For retrofit, inspect the existing brackets and replace, if necessary.
3. Mark and drill holes to install brackets to wall or ceiling with two (2) 1/4" bolts (not supplied). For MagnaPro, bracket holes may be spaced as required; it is recommended to keep them at least 12" (305mm) apart (see Figure 6).
4. Attach MP1054MTK Kit brackets to wall or ceiling. Make sure the brackets are parallel to each other.
5. Install one (1) channel adapter with slide channel onto each MP1054MTK bracket. Slide the long edge of the channel adapter into the slots on the bracket and tighten the two (2) Phillips head screws on the ends of each MP1054MTK Kit bracket. Make sure the slide brackets are parallel to each other (see Figure 7).
6. Fixture is now ready for mounting. It is strongly suggested to use two (2) qualified tradespeople to proceed with the final mounting of the fixture. This is recommended to avoid any personal injury or damage to the fixture.
7. Lift fixture into position and slide the fixture into the slide brackets engaging the flange on the top of the fixture and position it near the center.



WARNING

Do not let the fixture hang or flex on one bracket at a time. Failing to comply will result in breakage of bracket and possible injury or death.

8. Tighten the two (2) 1/4" set screws on each slide bracket until they bottom (see Figure 7). Torque to 78 in.-lbs. (8.8 N-m).

Length	2 Foot (in)	2 Foot (mm)	4 Foot (in)	4 Foot (mm)
A	28.3	720	52.3	1329
B	12-22	305-559	24-46	610-1168

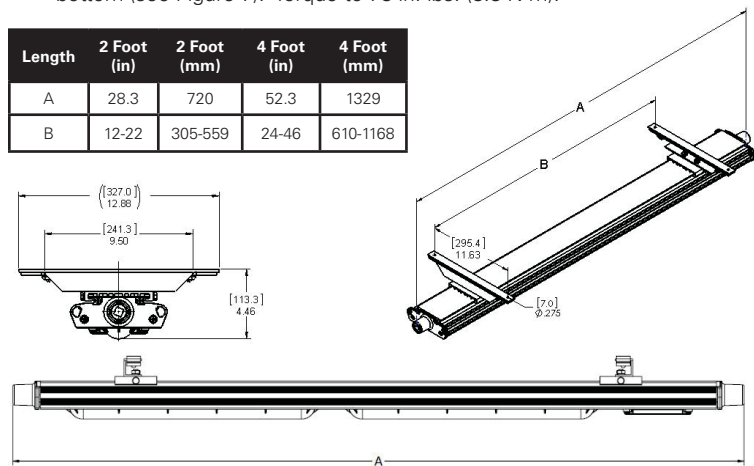


Figure 6. MP1054MTK Kit MagnaPro Mount Kit Installation

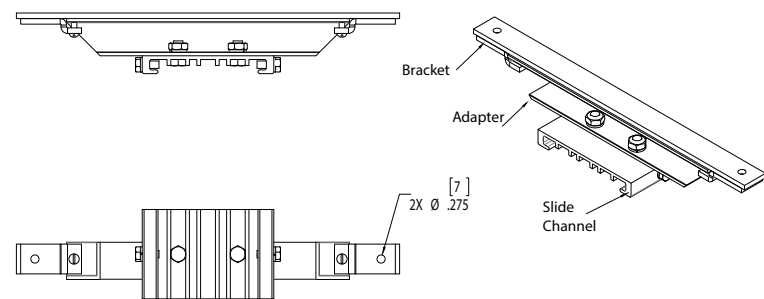


Figure 7. MP1054MTK Kit MagnaPro Mount Kit Details

MP1054MTK A Kit

Same as the MP1054MTK Kit, except Magnapro MP1054MTK brackets not included. If using this kit, follow the MP1054MTK Kit instructions starting from Step 5.

F. PM KIT - POLE MOUNT

1. Make sure the power is disconnected to the conduit system before installing the fixture.
2. Verify that the clamp internal diameter is consistent with the diameter of the pole prior to installation. Clamps are available in 1.65 (42mm), 2.00 (51mm) and 2.36 (60mm) sizes.
3. Pole mount brackets may be spaced as required; it is recommended to keep them at least 12" (305mm) apart (see Figure 8).
4. Slide the two (2) pole mount brackets onto the fixture, engaging the flange on the top of the fixture.
5. Tighten the two (2) 1/4" set screws on each slide bracket until they bottom (see Figure 9). Torque to 78 in.-lbs. (8.8 N-m).
6. Remove the two (2) 5/16" screws, lock washers and nuts on each clamp and remove the upper clamp halves.
7. Fixture is now ready for mounting. It is strongly suggested to use two (2) qualified tradespeople to proceed with the final mounting of the fixture. This is recommended to avoid any personal injury or damage to the fixture.
8. Lift fixture into position such that the pole fits into the lower clamp halves.
9. Install the two (2) upper clamp halves and the 5/16" screws, lock washers and nuts on each clamp.
10. Tighten the nuts on the 5/16" screws evenly using a back and forth sequence. Torque to 138 in.-lbs. (15.6 N-m).

Length	2 Foot (in)	2 Foot (mm)	4 Foot (in)	4 Foot (mm)
A	28.3	720	52.3	1329
B	12-21	305-533	24-45	610-1143

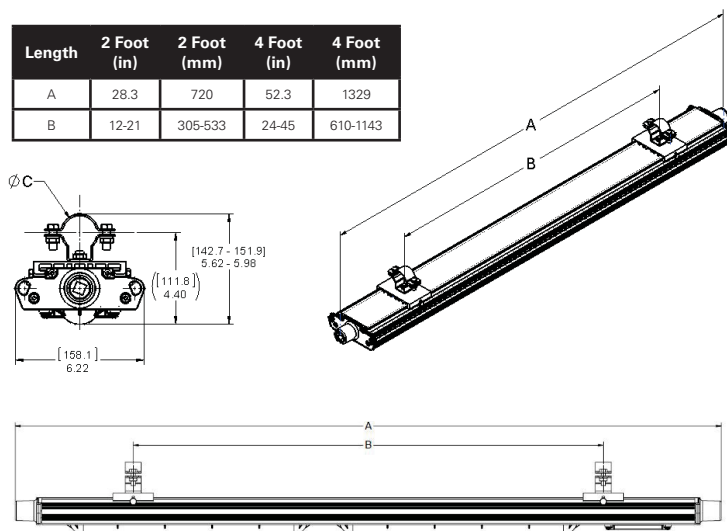


Figure 8. PM KIT - Pole Mount Installation

Configuration	Dimension (inches)			
	A	B	C	D
PM Kit 2.0 (trade size 2")	4.331	3.543	2.36	1.693
PM Kit 1.5 (trade size 1 - 1/2")	3.740	2.953	2.00	1.535
PM Kit 1.25 (trade size 1 - 1/4")	3.386	2.598	1.65	1.378

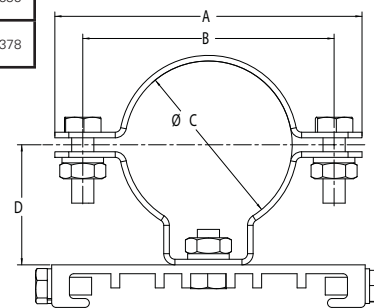
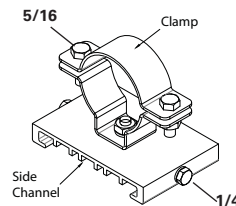


Figure 9. PM KIT - Pole Mount Details

G. PEND ORD KIT

1. Make sure the power is disconnected from the conduit system before installing the fixture.
2. For Pendant Mount the conduit should be located in line with the fixture center of gravity. The length of the cable supplied in the kit is sized for this location.
3. Install the slide mount bracket with junction box on the mounting flange of the fixture as shown in Figure 10. Adjust the position of the slide mount to dimension C shown in table. Note: dimension C is referenced to the end of the fixture mounting flange.
4. Tighten the two 1/4" set screws on the slide bracket until they bottom. Torque to 78 in.-lbs (8.8 N-m).
5. Eaton's Crouse-Hinds STL thread lubricant must be added to the conduit threads to prevent water from entering the Fixture.
6. Install one (1) cable gland thread body to junction box and one (1) cable gland thread body to hub on driver end of fixture. Refer to CAP184288 and ADE 6FCable Fitting installation and cable preparation instructions.
7. Form the cable approximately as shown in Figure 10.
8. Route cable in through gland thread body on each end and tighten gland back nut wrench tight. Torque per CAP184288.
9. Make electrical connections in the lighting fixture driver compartment. Refer to WIRING THE LIGHTING FIXTURE Section. Cable supplied will be 14 AWG.
10. Remove the cover assembly from the junction box (see Figure 12).
11. Install retention cable loop on conduit on conduit.
12. Eaton's Crouse-Hinds STL thread lubricant must be added to the conduit threads to prevent water from entering the junction box.
13. Fully engage hanger cover onto 3/4" NPT size conduit (not provided).
14. With the nut fully tightened screw the cover assembly onto the conduit support until the conduit and nipple are fully engaged (See Figure 12).
15. Pull field wiring through hanger cover.
16. Fixture is now ready for mounting. It is strongly recommended to use two qualified trades people to proceed with the final mounting of the fixture. This is recommended to avoid personal injury or damage to the fixture.
17. Make wiring connections in the junction box. Making sure to attach the ground wires to the green grounding screw provided in the junction box.
18. Loosen the nut one full turn to allow the hanger cover and nut to spin freely around the nipple and conduit.
19. Screw the hanger cover onto the junction box and tighten the set screw.
20. Adjust fixture to desired orientation then fully tighten the nut so the hanger cover and nut can no longer spin freely around the nipple and conduit.
21. Tighten the three set screws on the nut.

Length	2 Foot (in)	2 Foot (mm)	4 Foot (in)	4 Foot (mm)
A	31.7	805	55.8	1418
B	28.3	720	52.3	1329
C	4.2	108	16	406
(D)	12.2	310	24	610
(E)	34.9	886	58.9	1495

H. PLL1059MTK KIT

1. Make sure the power is disconnected from the conduit system before installing the fixture.
2. Mark and drill holes for fastening PLL1059MTK brackets. Use four (4) 3/8" bolts (not supplied) at center-to-center measurements (see Figure 11). For PLL1059MTK brackets, holes may be spaced as required. It is recommended to keep them at least 12" (305mm) apart (see Figure 11).
3. Fixture is now ready for mounting. It is strongly suggested to use two (2) qualified tradespeople to proceed with the final mounting of the fixture. This is recommended to avoid any personal injury or damage to the fixture.
4. Slide the fixture into the mount brackets, engaging the flange on the top of the fixture.



WARNING

Do not let the fixture hang or flex on one bracket at a time. Failing to comply will result in breakage of bracket and possible injury or death.

5. Tighten the four (4) 1/4" set screws on slide channels until they bottom (see Figure 11). Torque to 78 in.-lbs. (8.8 N-m).

Length	2 Foot (in)	2 Foot (mm)	4 Foot (in)	4 Foot (mm)
A	28.3	720	52.3	1329
B	12.22	305-559	24-46	610-1168

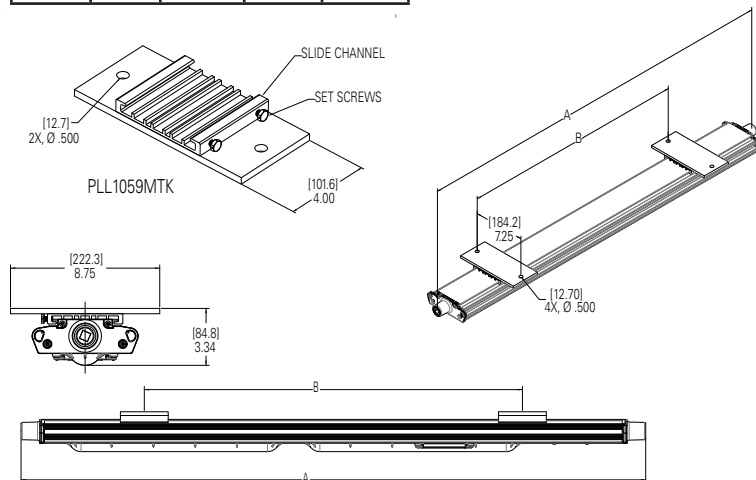


Figure 11

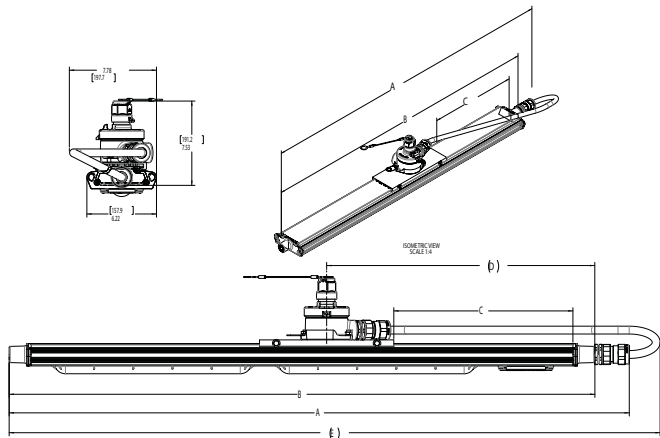


Figure 10

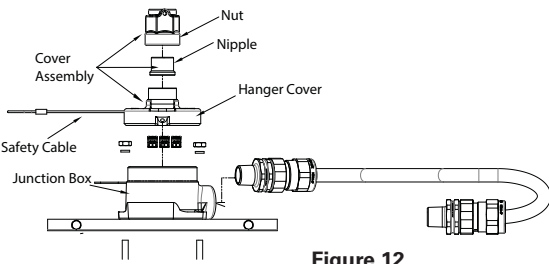


Figure 12

SECONDARY SUPPORT

If using secondary support, attach one end of the support cable to the eyelet provided on the end cap of the fixture, secure the other end to a fixed support. Use a minimum of two (2) support cables per fixture, securing at least one to each end cap.

Arrange the secondary support cables to limit the suspended vertical distance to no more than 18 inches from the primary mounted position. Cables must be installed in this manner to limit the potential vertical drop to 18 inches maximum.

WIRING THE LIGHTING FIXTURE

1. Open driver cover by loosening the four (4) #10-32 x .75" stainless steel cover screws (see Figure 13). All components in the fixture are pre-wired so only line in, neutral and ground need to be connected in the fixture to the lead wires (or terminals) per the wiring diagrams (see Figures 16 and 17) using methods that comply with all applicable codes. Terminate the equipment grounding conductor (green) first, the common (white) next, and finally, the line voltage (black) last. For DC voltage applications, connect the positive (+) lead to the white wire and the negative (-) lead to the black wire. Tighten all electrical connections. **Note:** Standard openings are 3/4" NPT.
2. If employing the dimming capability of the drivers, use only a listed 0-10V Dimming control, suitable for the environment in which it is being installed. Ensure the power to the dimming control is disconnected. Connect the positive lead (+) of the dimming control to the yellow lead wire of the fixture, and the negative lead (-) of the dimming control to the gray wire of the fixture.
3. Refer to surge protection IF #1724 for details on wiring linear fixture using an external surge protection kit.
4. Reinstall the driver cover and tighten all four (4) cover mounting screws 32 in.-lbs. (3.6 N-m).
5. Replace any damaged or missing cover screws. Consult factory for replacement parts.
6. For the through feed option, use the factory supplied fish line to pull through wire conductors or cable for wiring to driver or to daisy chain multiple fixtures (maximum of five (5)).
7. Once through feed wiring is complete or if through feed wiring is not required, remove fish line and discard.
8. Black and white input leads are provided for easy identification of driver input leads. These wires can be pulled inside the fixture and shortened, if necessary.



Figure 13 Driver Cover

WIRING INSTALLATION CHECKLIST

1. Verify sufficient STL lubricant is on conduit entries and that all unused conduit entries on the end caps are closed with lubricated plugs (see Figure 15).
2. Verify conduit is installed to at least five (5) full threads into the end cap conduit entries. Recommend approximately 1/8" bead STL on conduit entries.
3. Verify installed conduit is torqued to 42-52 ft.-lbs. (57-71 N-m) for 3/4" plug.
4. Verify supply wires are connected to luminaire wire leads (or terminal block) per wiring diagrams.
5. Verify all electrical connections are tightened.
6. Verify all wires are safely and neatly inside driver cover and not on top of driver. Re-attach driver cover to fixture housing (see Figure 14).
7. Verify captive attachment screws are tightened to 32 in.-lbs. (3.6 N-m) and cover is in contact with fixture housing.



Figure 15

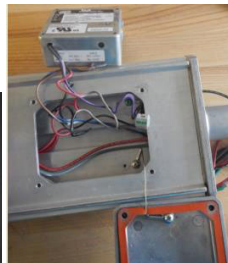


Figure 14

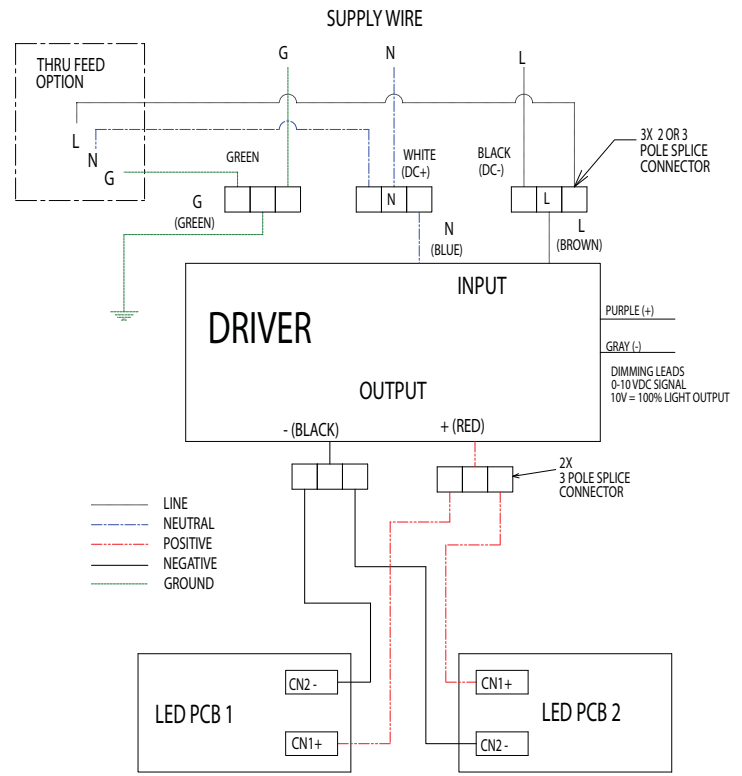


Figure 16

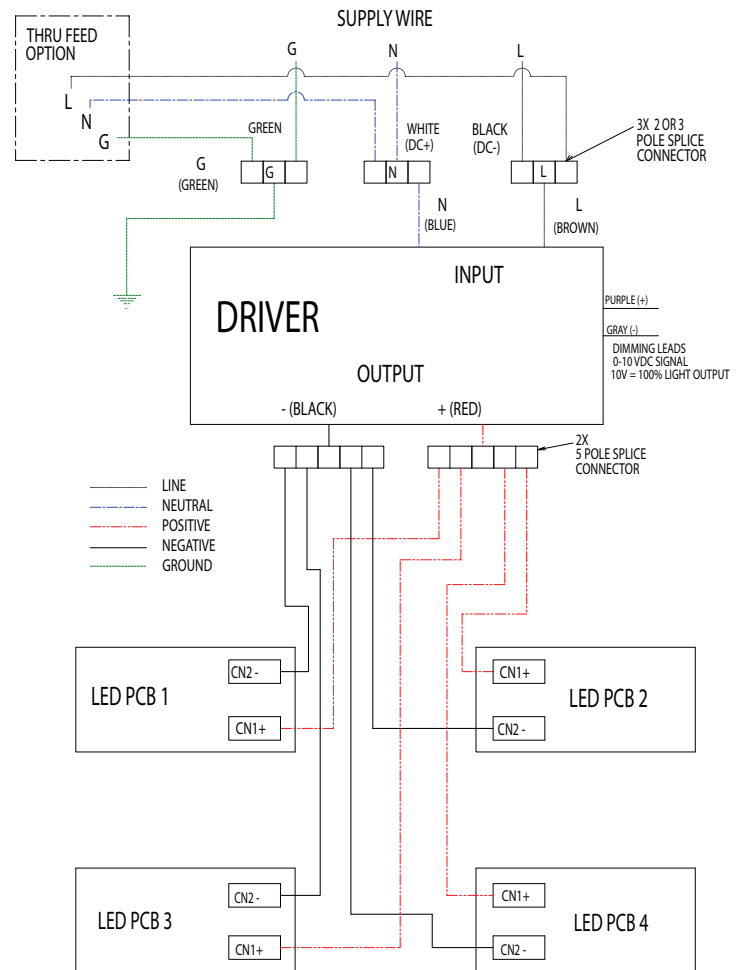


Figure 17

LP (LynxPOWER™) Suffix Option

For fixtures provided with the LynxPOWER connection option, all of the components in the fixture are pre-wired so the driver cover does not need to be opened. Connect a LynxPOWER cable to the pre-installed MR3E4BC100A receptacle. Tighten the connection. The opposite end of the cord shall be terminated per the wiring diagrams using methods that comply with all applicable codes. All ML3C4WC series cordsets can be utilized. Use the length which best suits the application. The LynxPOWER cables shall only be utilized in AC voltage applications.

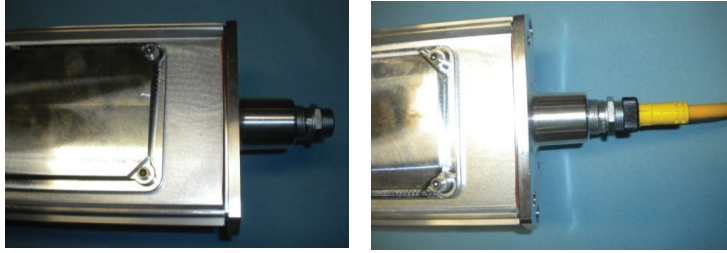


Figure 18

MAINTENANCE GENERAL

1. Perform visual, electrical and mechanical inspections on a regular basis. The environment and frequency of use should determine this. However, it is recommended that checks be made at least once a year. We recommend an Electrical Preventive Maintenance Program as described in the National Fire Protection Association Bulletin NFPA No. 70B: Recommended Practice For Electrical Equipment Maintenance (www.nfpa.org).
2. The lens should be cleaned periodically to ensure continued lighting performance. To clean, wipe the lens with a clean, damp cloth. If this is not sufficient, use a mild soap or a liquid cleaner such as Collinite NCF or Duco #7. Do not use an abrasive, strong alkaline or acid cleaner. Damage may result.
3. Visually check for undue heating evidenced by discoloration of wires or other components, damaged parts or leakage evidenced by water or corrosion in the interior. Replace all worn, damaged or malfunctioning components, and clean gasket seals before putting the luminaire back into service.
4. Electrically check to make sure that all connections are clean and tight. Mechanically check that all parts are properly assembled.
5. Check and re-torque all mounting hardware.

DRIVER REPLACEMENT INSTRUCTIONS

1. Based on the electrical ratings marked on the luminaire housing, one of the following LED driver replacement kits by Eaton's Crouse-Hinds is suitable. Check and verify which particular driver is provided and based on the catalog number and order the exact replacement driver kit from Eaton's Crouse-Hinds. Prior to installation ensure the same model number, voltage, and amperage ratings for replacement match the original driver ratings that came with the fixture.

Martek LED Driver Model Number	Catalog Number	Compatible Fixture	Electrical Ratings Marked On Luminaire Housing	
			V	Hz
PS2565-Y501	VMVL/UNV1 80W 0.5A KIT	PLL2/UNV1	90-277 Vac	50/60
			108-250 Vdc	50/60
PS2569-Y501	VMVL/UNV34 80W 0.5A KIT	PLL2/UNV34	347-480 Vac	50/60
PS2565-Y102	VMVL/UNV1 80W 1A KIT	PLL4/UNV1	90-277 Vac	50/60
			108-250 Vdc	50/60
PS2569-Y102	VMVL/UNV34 80W 1A KIT	PLL4/UNV34	347-480 Vac	50/60

2. Be sure to de-energize the luminaire before performing any maintenance.
3. To aide in driver cover removal, a pry point is located on one corner of the driver (see Figure 17).
4. Ensure all driver cover screws have been removed.
5. Insert a flat head screwdriver blade into the pry points and rotate the screwdriver.
6. Open the driver cover and allow the cover to hang by the support.
7. Disconnect the input and output leads of the old driver(s) (see Figure 18).
8. Remove the two (2) screws that secure the driver; remove the old driver.
9. Replace with new driver supplied by Eaton's Crouse-Hinds.
10. Reconnect output wires per wiring diagram. Ensure that the positive (+) and negative (-) leads of the drivers are connected per the wiring diagram.
11. Reinstall the new driver into the luminaire, ensuring that output wires to LED boards are tucked neatly into the housing and the input and dimming wire leads are placed in the wiring channel underneath the driver and routed to the input wiring area (see Figure 20).
12. Ensure that the driver is in direct contact with the luminaire housing and no wires are being pinched between the driver and the housing. Secure with two (2) screws and tighten to 5 in.-lb. (0.6 N-m).
13. Reconnect input wires per wiring diagrams.
14. Reinstall driver cover (see "Wiring the Lighting Fixture").

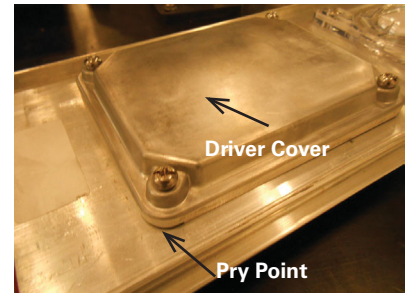


Figure 19

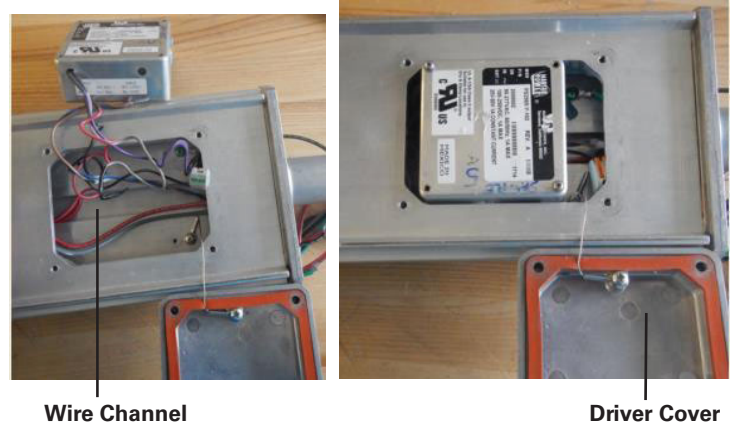


Figure 20

REPLACEMENT PARTS

Eaton's Crouse-Hinds linear LED fixtures are designed to provide years of reliable lighting performance. However, should the need for replacement parts arise, they are available through your authorized Eaton's Crouse-Hinds distributor. Assistance may also be obtained through your local Eaton's Crouse-Hinds representative or the Eaton's Crouse-Hinds Sales Service Department, 1201 Wolf Street, Syracuse, New York 13208, Phone 866-764-5454.

All statements, technical information and recommendations contained herein are based on information and tests we believe to be reliable. The accuracy or completeness thereof are not guaranteed. In accordance with Crouse-Hinds "Terms and Conditions of Sale," and since conditions of use are outside our control, the purchaser should determine the suitability of the product for his intended use and assumes all risk and liability whatsoever in connection therewith.

UTILISATION

Les luminaires linéaires à DEL peuvent être utilisés dans les emplacements suivants, comme définis par le National Electrical Code (NEC®) :

Le luminaire assemblé doit être installé conformément à la norme NFPA 70 du National Electric Code et à la norme CG 259 de l'American Bureau of Shipping and Coast Guard.

NEC/CCE

- Emplacement humide, IP66, type 4X
- UL 8750

Ces boîtiers de luminaires doivent être utilisés avec les pièces de fixation pour luminaire Crouse-Hinds homologuées UL et conçues pour les endroits à risque, dont les numéros de catégorie sont les suivants : DP1052MTK, DP1053MTK, DP1057MTK, DP1050MTK, MP1054MTK Kit, MP1054 MTK A KIT, PM Kit 1.25, PM Kit 1.5 et PM Kit 2.0, PEND ORD KIT, PLL1059MTK.

Normes UL :

- UL 1598, luminaires, UL 1598A installation marine
- UL8750 a conduit l'équipement pour les produits d'éclairage

Norme de la CSA :

- CSA C22.2 No 250

Se reporter à la plaque signalétique du luminaire pour les spécifications électriques et les températures ambiantes maximales.

La construction du luminaire linéaire à DEL est conçue pour des utilisations intérieures et extérieures dans des emplacements humides et des installations marines, où il peut y avoir de l'humidité, de la poussière, de la corrosion et des vibrations, et où les luminaires peuvent faire l'objet d'une utilisation intensive.

TENSION D'ENTRÉE :

- UNV1: 100-277 VCA 50/60 Hz et 108-250 VCC
- UNV34: 347-480 VCA 50/60 Hz

ATTENTION

Pour éviter le risque d'incendie ou de décharge électrique, ce produit doit être installé, inspecté et entretenu uniquement par un électricien qualifié conformément à tous les codes électriques applicables.

ATTENTION

Pour éviter le risque de décharge électrique, s'assurer que l'alimentation électrique est coupée avant et pendant l'installation ainsi que lors de l'entretien du luminaire. Le luminaire doit être alimenté par un conduit électrique compatible selon le NEC et il doit comporter un conducteur de mise à la terre de l'équipement. Pour éviter les brûlures aux mains, attendre que les lentilles et les ampoules aient refroidi avant d'effectuer l'entretien.

ATTENTION

Pour éviter d'endommager l'équipement, s'assurer que la tension est la même que celle du luminaire.
Ne pas faire fonctionner à des températures ambiantes supérieures à celles indiquées sur la plaque signalétique du luminaire.
Utiliser uniquement des pièces de rechange de Crouse-Hinds d'Eaton
Utiliser des câbles d'alimentation appropriés comme spécifiés sur la plaque signalétique du luminaire.
Tous les joints d'étanchéité doivent être propres.
Avant d'ouvrir le luminaire, l'alimentation électrique doit être coupée. Le luminaire doit être bien fermé lorsqu'il est allumé.

Longueur	2 pieds (pi)	2 pieds (mm)	4 pieds (pi)	4 pieds (mm)
A	28,3	720	52,3	1329
B	26,3	669	50,3	1278

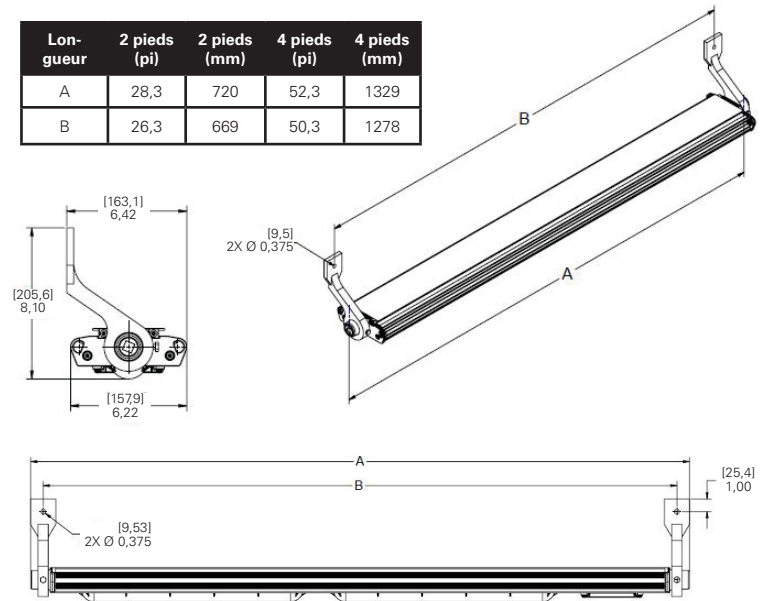


Figure 1 : Montage mural DP1052MTK

B. DP1053MTK

1. Avant d'installer le luminaire, veiller à ce que l'alimentation vers le conduit électrique soit coupée.
2. Marquer et percer des trous pour fixer les supports de fixation d'extrémité. Utiliser le centre de deux boulons de 1/4 po (non inclus) pour centrer les mesures (voir la figure 2).
3. Le luminaire peut maintenant être installé. Il est fortement recommandé que deux professionnels qualifiés réalisent les étapes finales du montage du luminaire, afin d'éviter des blessures corporelles ou des dommages au luminaire.
4. Pour poser les supports de fixation d'extrémité de montage mural ou au plafond, il est recommandé de poser d'abord un support, puis d'insérer le luminaire dans support monté avant de le fixer à l'autre support.

ATTENTION

Ne pas laisser le luminaire pendre ni le laisser accroché à un seul support. Le non-respect de ces directives peut entraîner la rupture du support et des blessures corporelles, voire la mort.

INSTALLATION

TROUSSES DE MONTAGE

A. DP1052MTK

1. Avant d'installer le luminaire, veiller à ce que l'alimentation vers le conduit électrique soit coupée.
2. Marquer et percer des trous pour fixer les supports de fixation d'extrémité. Utiliser le centre de deux boulons de 1/4 po (non inclus) pour centrer les mesures (voir la figure 1).
3. Le luminaire peut maintenant être installé. Il est fortement recommandé que deux professionnels qualifiés réalisent les étapes finales du montage du luminaire, afin d'éviter des blessures corporelles ou des dommages au luminaire.
4. Pour poser les supports de fixation d'extrémité de montage mural, il est recommandé de poser d'abord un support, puis d'insérer le luminaire dans le support monté avant de le fixer à l'autre support.

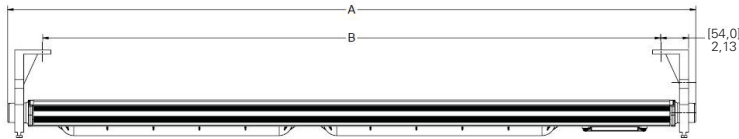
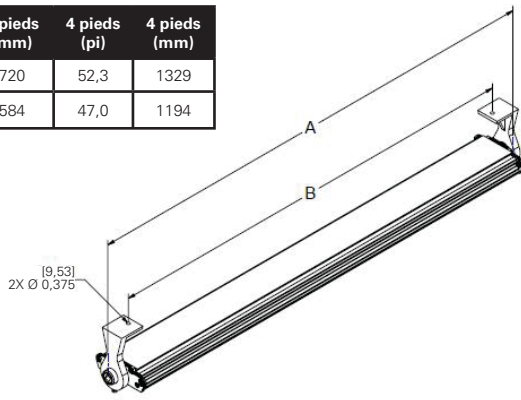
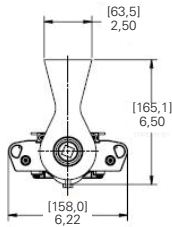
ATTENTION

Ne pas laisser le luminaire pendre ni le laisser accroché à un seul support. Le non-respect de ces directives peut entraîner la rupture du support et des blessures corporelles, voire la mort.

5. Orienter le luminaire afin d'obtenir l'éclairage souhaité, puis serrer les vis de pression de 1/4 po sur les supports. Visser au couple de 78 po-lb (8,8 N.m).
6. Utiliser la vis de pression pour limiter la rotation du luminaire.

5. Orienter le luminaire afin d'obtenir l'éclairage souhaité, puis serrer les vis de pression de 1/4 po sur les supports. Visser au couple de 78 po-lb (8,8 N.m).
6. Utiliser la vis de pression pour limiter la rotation du luminaire.

Longueur	2 pieds (pi)	2 pieds (mm)	4 pieds (pi)	4 pieds (mm)
A	28,3	720	52,3	1329
B	23,0	584	47,0	1194



C. DP1057MTK

- Avant d'installer le luminaire, veiller à ce que l'alimentation vers le conduit électrique soit coupée.
- Pour le montage arrière, utiliser le support comme modèle pour marquer des trous sur la surface de montage et les percer, puis utiliser les boulons de 5/16 po inclus (voir la figure 3).
- Le luminaire peut maintenant être installé. Il est fortement recommandé que deux professionnels qualifiés réalisent les étapes finales du montage du luminaire, afin d'éviter des blessures corporelles ou des dommages au luminaire.
- Faire glisser le luminaire sur le support de montage de manière à engager la bride sur le luminaire, puis positionner celui-ci près du centre.
- Serrer à fond les vis de pression 1/4 po sur le support coulissant à un couple de 78 po-lb (8,8 N.m).

Longueur	2 pieds (pi)	2 pieds (mm)	4 pieds (pi)	4 pieds (mm)
A	28,3	720	52,3	1329
B	6,2	157,5	18,2	462

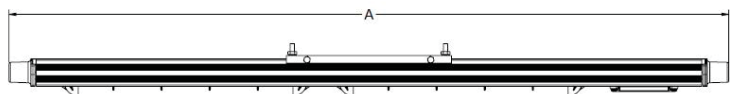
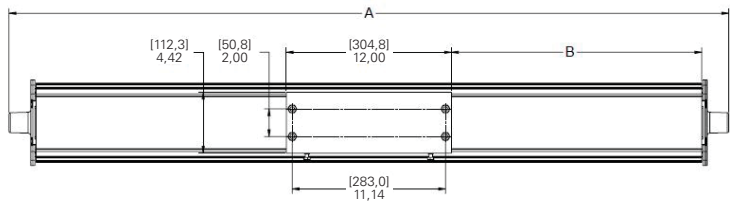
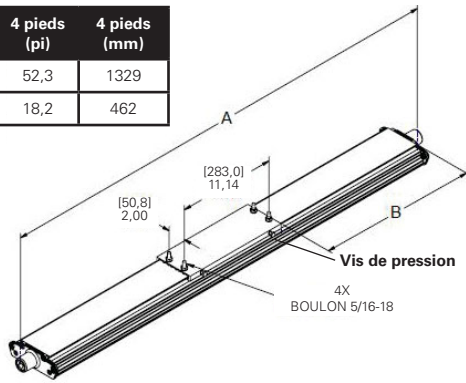
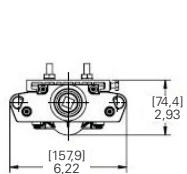


Figure 3 : Installation du montage arrière DP1052MTK

D. DP1050MTK

- Avant d'installer le luminaire, veiller à ce que l'alimentation vers le conduit électrique soit coupée.
- Marquer et percer des trous pour fixer les supports pivotants. Utiliser le centre de deux boulons de 1/4 po (non inclus) pour centrer les mesures. Pour les supports pivotants, les trous peuvent être espacés selon les besoins. Il est recommandé de les séparer d'au moins 12 po (305 mm) (voir figure 5).
- Le luminaire peut maintenant être installé. Il est fortement recommandé que deux professionnels qualifiés réalisent les étapes finales du montage du luminaire, afin d'éviter des blessures corporelles ou des dommages au luminaire.
- Faire glisser le luminaire sur les supports de montage de manière à engager les brides sur le luminaire, puis positionner celui-ci près du centre.



ATTENTION

Ne pas laisser le luminaire pendre ni le laisser accroché à un seul support. Le non-respect de ces directives peut entraîner la rupture du support et des blessures corporelles, voire la mort.

- Serrer à fond les vis de pression de 1/4 po sur chaque support coulissant (voir la figure 4). Visser au couple de 78 po-lb (8,8 N.m).
- Régler la position du luminaire selon l'angle souhaité, puis serrer les deux (2) boulons à œil de 5/16 po. Visser au couple de 138 po-lb (15,6 N.m).

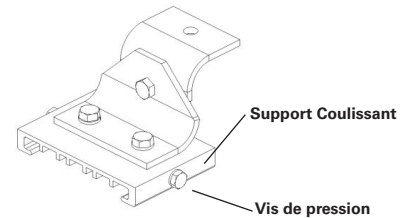


Figure 4 : Détails du montage pivotant

Longueur	2 pieds (pi)	2 pieds (mm)	4 pieds (pi)	4 pieds (mm)
A	28,3	720	52,3	1329
B	9-27	222-681	9-51	222-1289

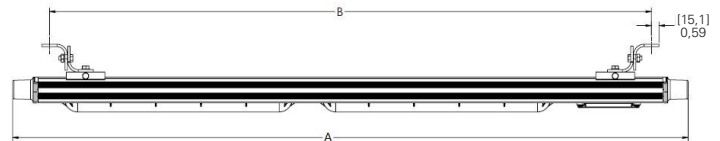
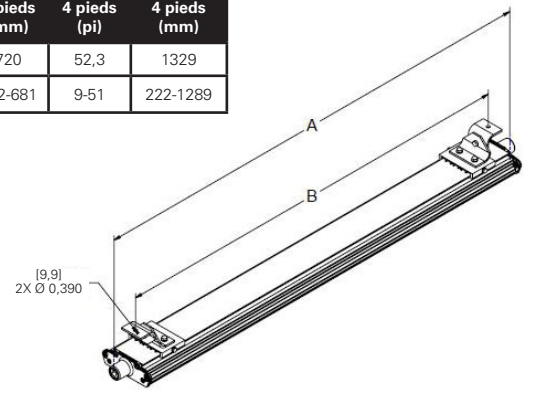
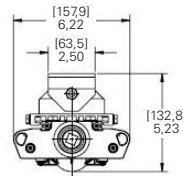


Figure 5 : Montage pivotant DP1050MTK

E. TROUSSE MP1054MTK (comprend un adaptateur de chemin de câbles et les supports coulissants)

1. Avant d'installer le luminaire, veiller à ce que l'alimentation vers le conduit électrique soit coupée.
2. Trouver les supports MP1054MTK fournis avec la trousse. Pour une modernisation de l'éclairage, inspecter les supports existants et les remplacer au besoin.
3. Marquer et percer des trous pour installer les supports sur le mur ou le plafond à l'aide de deux boulons de 1/4 po (non inclus). Pour que les trous des supports MagnaPro soient espacés correctement, il est recommandé de les séparer d'au moins 12 po (305 mm) (voir figure 6).
4. Fixer les supports MP1054MTK sur le mur ou le plafond. S'assurer que les supports sont parallèles.
5. Installer un (1) adaptateur de chemin de câbles avec support coulissant sur chaque support MP1054MTK. Faire glisser le long bord de l'adaptateur de chemin de câbles dans les fentes du support, puis serrer les deux (2) vis cruciformes aux extrémités de chaque support MP1054MTK. S'assurer que les supports coulissants sont parallèles (voir figure 7).
6. Le luminaire peut maintenant être installé. Il est fortement recommandé que deux professionnels qualifiés réalisent les étapes finales du montage du luminaire, afin d'éviter des blessures corporelles ou des dommages au luminaire.
7. Placer le luminaire au bon endroit, puis le faire glisser sur les supports coulissants de manière à engager les brides sur le luminaire, puis positionner celui-ci près du centre.

ATTENTION

Ne pas laisser le luminaire pendre ni le laisser accroché à un seul support. Le non-respect de ces directives peut entraîner la rupture du support et des blessures corporelles, voire la mort.

8. Serrer à fond les vis de pression de 1/4 po sur chaque support coulissant (voir la figure 7). Visser au couple de 78 po-lb (8,8 N.m).

Longueur	2 pieds (pi)	2 pieds (mm)	4 pieds (pi)	4 pieds (mm)
A	28,3	720	52,3	1329
B	12-22	305-559	24-46	610-1168

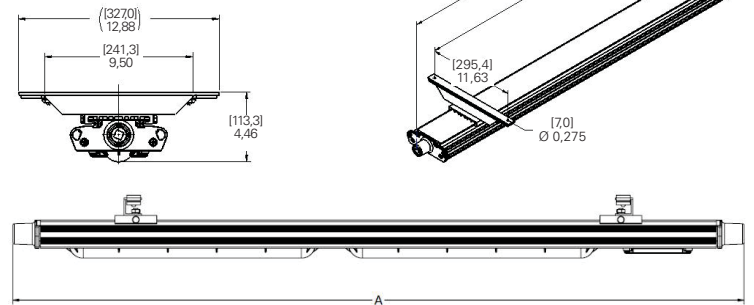


Figure 6 : Trousse de montage MagnaPro DP1050MTK

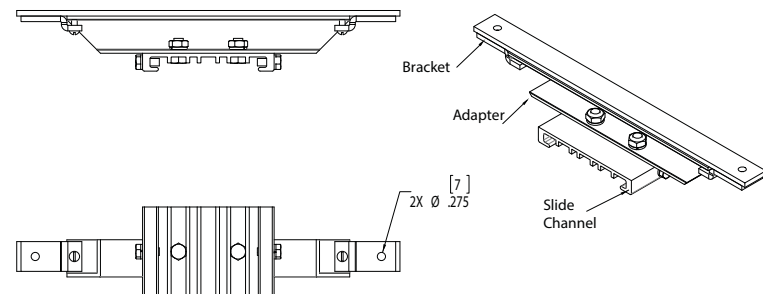


Figure 7 : Détails de la trousse de montage MagnaPro DP1050MTK

TROUSSE MP1054MTK A

Comme la trousse MP1054MTK, mais les supports Magnapro MP1054MTK ne sont pas inclus. Pour utiliser cette trousse, suivre les instructions de la trousse MP1054MTK à partir de l'étape 5.

F. TROUSSE - MONTAGE SUR MÂT

1. Avant d'installer le luminaire, veiller à ce que l'alimentation vers le conduit électrique soit coupée.

2. Avant l'installation, s'assurer que le diamètre intérieur du collier est compatible avec le diamètre du mât. Les colliers sont disponibles dans les tailles 42 mm (1,65 po), 51 mm (2,00 po) et 60 mm (2,36 po). Les supports de montage sur mât doivent être espacés correctement; il est recommandé de les séparer d'au moins 12 po (305mm) (voir figure 8).
3. Faire glisser les deux (2) supports de montage sur mât sur le luminaire de manière à engager les brides.
4. Serrer à fond les vis de pression de 1/4 po sur chaque support coulissant (voir la figure 9). Visser au couple de 78 po-lb (8,8 N.m).
5. Retirer les deux (2) vis de 5/16 po, les rondelles de verrouillage et les écrous de chaque collier et retirer les moitiés supérieures des colliers.
6. Le luminaire peut maintenant être installé. Il est fortement recommandé que deux professionnels qualifiés réalisent les étapes finales du montage du luminaire, afin d'éviter des blessures corporelles ou des dommages au luminaire.
7. Positionner le luminaire de manière à ce que les moitiés inférieures des colliers entourent le mât.
8. Installer sur chaque collier les deux (2) moitiés supérieures des colliers et les vis de 5/16 po, les rondelles de verrouillage et les écrous.
9. Serrer uniformément par alternance les écrous sur les vis 5/16 po. Visser à un couple de 138 po-lb (15,6 N.m).

Longueur	2 pieds (pi)	2 pieds (mm)	4 pieds (pi)	4 pieds (mm)
A	28,3	720	52,3	1329
B	12-21	305-533	24-45	610-1143

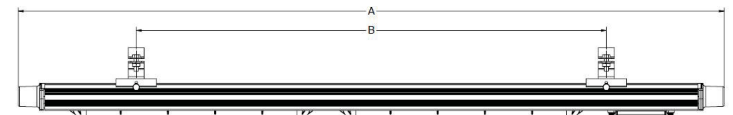
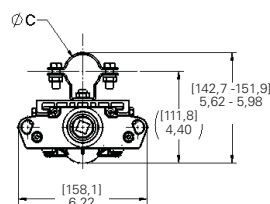


Figure 8. TROUSSE Montage sur mât

Configuration	Dimension (pouces)			
	A	B	C	D
Trousse de montage sur mât 2,0 (calibre de 2 po)	4,331	3,543	2,36	1,693
Trousse de montage sur mât 1,5 (calibre de 1-1/2 po)	3,740	2,953	2,00	1,535
Trousse de montage sur mât 1,25 (calibre de 1-1/4 po)	3,386	2,598	1,65	1,378

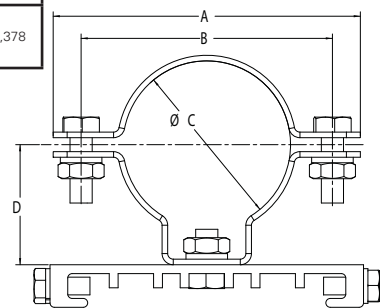
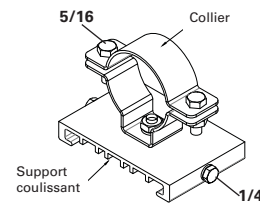


Figure 9. TROUSSE Détails du montage sur mât

G. PEND ORD KIT

1. Avant d'installer le luminaire, veiller à ce que l'alimentation du conduit électrique soit coupée.
2. Pour le montage du luminaire suspendu, le conduit électrique doit être aligné avec le centre de gravité du luminaire. La longueur du câble fourni dans la trousse est adéquate pour cet emplacement.
3. Poser le support de fixation coulissante avec la boîte de jonction sur la bride de montage du luminaire, comme illustrée à la figure 10. Régler la position de la fixation coulissante selon la distance C indiquée dans le tableau. Remarque : la distance C se rapporte à l'extrémité de la bride de montage du luminaire.

4. Serrer à fond les vis de pression 1/4 po sur le support coulissant à un couple de 78 po-lb (8,8 N.m).
5. Du lubrifiant de filets STL Eaton's Crouse-Hinds doit être ajouté aux filets du conduit afin d'empêcher l'eau de s'infiltrer dans le luminaire.
6. Installer un (1) corps fileté de presse-étoupe à la boîte de jonction et un (1) corps fileté de presse-étoupe au plot sur l'extrémité du circuit de commande du luminaire. Se reporter à la fiche CAP184288 pour des directives sur l'installation du raccord ADE 6F et sur la préparation du câble.
7. Placer le câble de manière similaire à celle illustrée à la figure 10.
8. Acheminer le câble dans les corps filetés des presse-étoupes aux deux extrémités et serrer les écrous arrière des presse-étoupes. Serrer les écrous selon le couple précisé dans la fiche CAP184288.
9. Effectuer les raccordements électriques dans le compartiment du circuit du luminaire. Se reporter à la section CÂBLAGE DU LUMINAIRE. Le câble fourni est un câble AWG 14.
10. Retirer le couvercle du crochet de suspension de la boîte de jonction (voir la figure 12).
11. Installer une boucle de rétention sur le conduit.
12. Du lubrifiant de filets STL Eaton's Crouse-Hinds doit être ajouté aux filets du conduit afin d'empêcher l'eau de s'infiltrer dans la boîte de jonction.
13. En serrant bien l'écrou, visser l'ensemble capot sur le support du conduit jusqu'à ce que le conduit et le mamelon soient complètement engagés.
14. Tirer les câbles posés sur le terrain à travers le couvercle du crochet.
15. Le luminaire peut maintenant être installé. Il est fortement recommandé que deux professionnels qualifiés réalisent les étapes finales du montage du luminaire, afin d'éviter des blessures corporelles ou des dommages au luminaire.n.
16. Effectuer les raccordements électriques dans la boîte de jonction. S'assurer que les fils de mise à la terre sont raccordés à la vis de mise à la terre qui se trouve dans la boîte de jonction.
17. Desserrer l'écrou d'un tour complet pour permettre au couvercle et à l'écrou du crochet de tourner librement autour du mamelon et du conduit.
18. Visser le couvercle du crochet sur la boîte de jonction et serrer la vis de pression.
19. Placer le luminaire dans la position souhaitée, puis serrer complètement l'écrou afin que le couvercle et l'écrou du crochet ne puissent plus tourner librement autour du mamelon et du conduit.
20. Serrer les trois vis de pression sur l'écrou.
21. Poser le luminaire sur le couvercle du crochet de suspension à l'aide des vis no 10 fournies. Serrer les vis pour garantir l'étanchéité du joint et la sécurité du montage. Serrer les vis à un couple de 20 po-lb (2,3 N.m).

SUPPORT SECONDAIRE

En cas d'utilisation d'un support secondaire, attacher l'une des extrémités du câble de soutien à l'œillet se trouvant au bout du luminaire, et fixer l'autre extrémité à un support fixe. Utiliser au moins 2 câbles de soutien par luminaire, en fixant au moins un câble à chaque extrémité.

Longueur	2 pieds (pi)	2 pieds (mm)	4 pieds (pi)	4 pieds (mm)
A	31.7	805	55.8	1418
B	28.3	720	52.3	1329
C	4.2	108	16	406
(D)	12.2	310	24	610
(E)	34.9	886	58.9	1495

H. PLL1059MTK KIT

1. Avant d'installer le luminaire, couper l'alimentation électrique.
2. Marquer et percer les trous pour fixer les supports PLL1059MTK. Utiliser quatre (4) boulons de 3/8 po (non inclus) pour prendre les mesures centre à centre (voir la figure 11). Espacer les trous des supports PLL1059MTK au besoin. Les supports doivent être espacés d'au moins 305 mm (12 po) (voir la figure 11).
3. Le luminaire peut maintenant être installé. Il est fortement recommandé que deux (2) techniciens qualifiés fassent le montage final du luminaire, afin d'éviter des blessures corporelles ou des dommages au luminaire.
4. Faire glisser le luminaire dans les supports de montage afin d'insérer la bride sur le dessus du luminaire.



ATTENTION

Ne pas laisser le luminaire pendre ni le laisser accroché à un seul support. Le non-respect de ces directives peut entraîner la rupture du support et des blessures corporelles, voire la mort.

5. Serrer les quatre (4) vis de pression de 1/4 po sur les supports coulissants jusqu'à quelles viennent en butée (voir la figure 11). Serrer avec un couple de 8,8 N.m. (78 lb-po).

Longueur	2 pieds (pi)	2 pieds (mm)	4 pieds (pi)	4 pieds (mm)
A	28.3	720	52.3	1329
B	12.22	305-559	24-46	610-1168

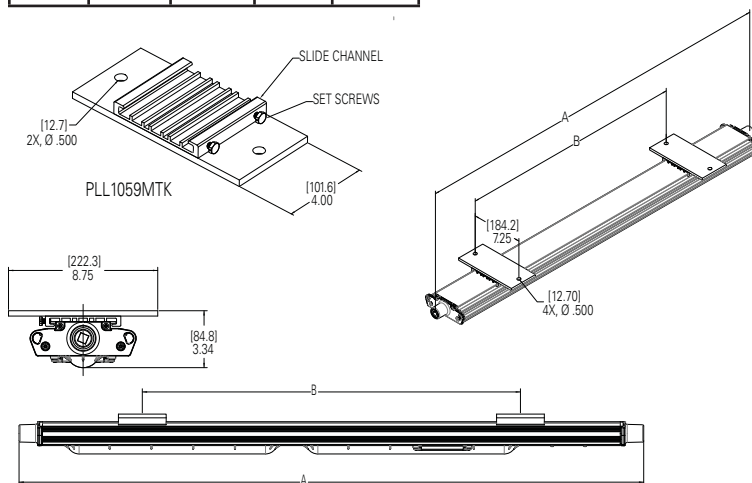


Figure 11

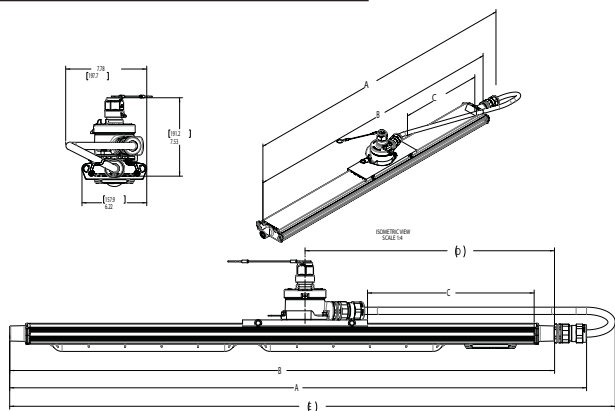


Figure 10

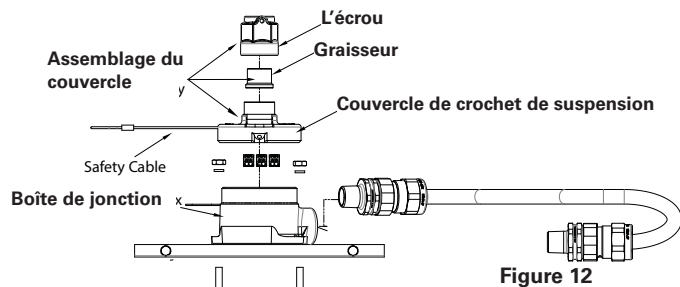


Figure 12

SUPPORT SECONDAIRE

En cas d'utilisation d'un support secondaire, attacher l'une des extrémités du câble de soutien à l'œillet se trouvant au bout du luminaire, et fixer l'autre extrémité à un support fixe. Utiliser au moins deux (2) câbles de soutien par luminaire, en fixant au moins un (1) câble à chaque extrémité.

Les câbles de soutien doivent être installés de façon à ce que le luminaire ne se retrouve pas à plus de 18 pouces sous sa position initiale. Ils doivent être installés ainsi afin de limiter la chute potentielle du luminaire à 18 pouces.

CÂBLAGE DU LUMINAIRE

- Ouvrir le couvercle du circuit de commande en desserrant les quatre (4) vis du couvercle en acier inoxydable no 10-32 x 0,75 po. (Voir la figure 13) Tous les composants dans le luminaire sont câblés; ainsi, il ne reste qu'à raccorder le fil de phase, le fil neutre et le fil de mise à la terre aux bornes ou fils conducteurs du luminaire selon les schémas de câblage (voir les figures 16 et 17), à l'aide de méthodes conformes aux codes applicables. Raccorder d'abord le conducteur de mise à la terre (vert) de l'équipement, puis le courant (blanc) et la tension composée (noir). Pour les applications en tension continue, raccorder le fil positif (+) au fil blanc et le fil négatif (-) au fil noir. Serrer tous les raccordements électriques. Remarque : les orifices standards sont de 3/4 po NPT.
- En cas d'utilisation de la capacité de gradation des circuits de commande, utiliser uniquement un système de commande d'intensité lumineuse homologué de 0 à 10 V qui est compatible avec l'environnement dans lequel il est installé. Vérifier que l'alimentation du système de commande d'intensité lumineuse est déconnectée. Raccorder le fil positif (+) du système de commande d'intensité lumineuse au fil conducteur jaune du luminaire, et le fil négatif (-) du système au fil gris du luminaire.
- Se reporter à l'IF 1724 Protection contre les surtensions, pour des détails sur le câblage d'un luminaire linéaire à l'aide d'une trousse de protection externe contre les surtensions.
- Remettre le couvercle du circuit de commande en place et serrer les quatre (4) vis de montage du couvercle à un couple de 31 po-lb (3,6 N.m).
- Remplacer les vis endommagées ou manquantes du couvercle. Consulter l'usine pour des pièces de rechange.
- Pour l'option de passage de câble d'alimentation, utiliser le câble de traction fourni par l'usine pour tirer les conducteurs ou le câble pour les raccorder au circuit de commande ou pour raccorder plusieurs luminaires en série (maximum de 5).
- Une fois passage de câble d'alimentation terminé, ou si aucun passage de câble d'alimentation n'est requis, retirer le câble de traction et le jeter.
- Des fils d'entrée blancs et noirs sont fournis pour faciliter l'identification des fils d'entrée du pilote. Au besoin, ces fils peuvent être raccourcis ou repliés à l'intérieur du support



Couvercle du circuit de commande
Figure 13

LISTE DE VÉRIFICATION D'INSTALLATION DU CÂBLAGE

- Vérifier qu'une quantité suffisante de lubrifiant STL recouvre les entrées de conduit et que toutes les entrées de conduit non utilisées sur les bouchons sont fermées par des fiches lubrifiées (voir la figure 15).
- Vérifier que le conduit est installé sur au moins cinq (5) filetages complets dans les entrées de conduit des bouchons. Un manchon de verre STL d'approximativement 1/8 po (3,2 cm) est recommandé sur les entrées de conduit.
- Vérifier que le couple de serrage du conduit installé se situe entre 42 et 52 pi lb (57 71 nm) pour une fiche de 3/4 po (1,9 cm).
- S'assurer que les câbles d'alimentation sont connectés aux fils conducteurs du luminaire (ou à la plaque à bornes) conformément aux schémas de câblage.
- S'assurer que tous les raccordements électriques sont bien serrés.
- S'assurer que l'emplacement des fils est sécuritaire et adéquat, soit à l'intérieur du couvercle du circuit de commande et non sur le circuit de commande. Fixer le couvercle du circuit de commande sur le boîtier du luminaire (voir la figure 14).
- S'assurer que les vis de fixation imperdables sont serrées à 32 po-lb (3,6 N.m) et que le couvercle est en contact avec le boîtier du luminaire.

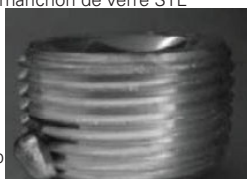


Figure 15

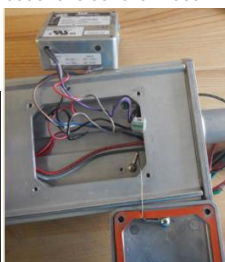


Figure 14

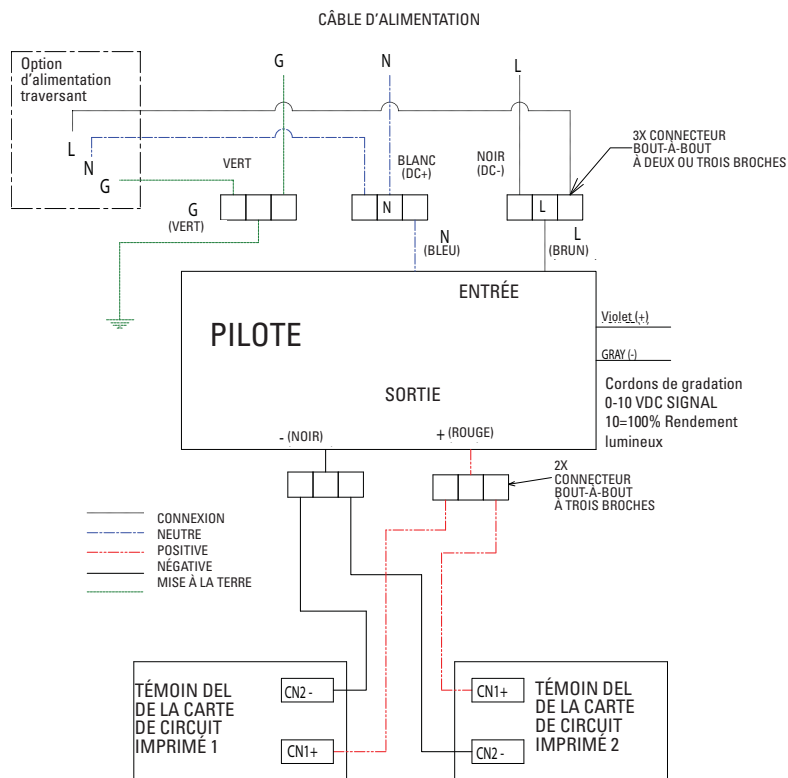


Figure 16

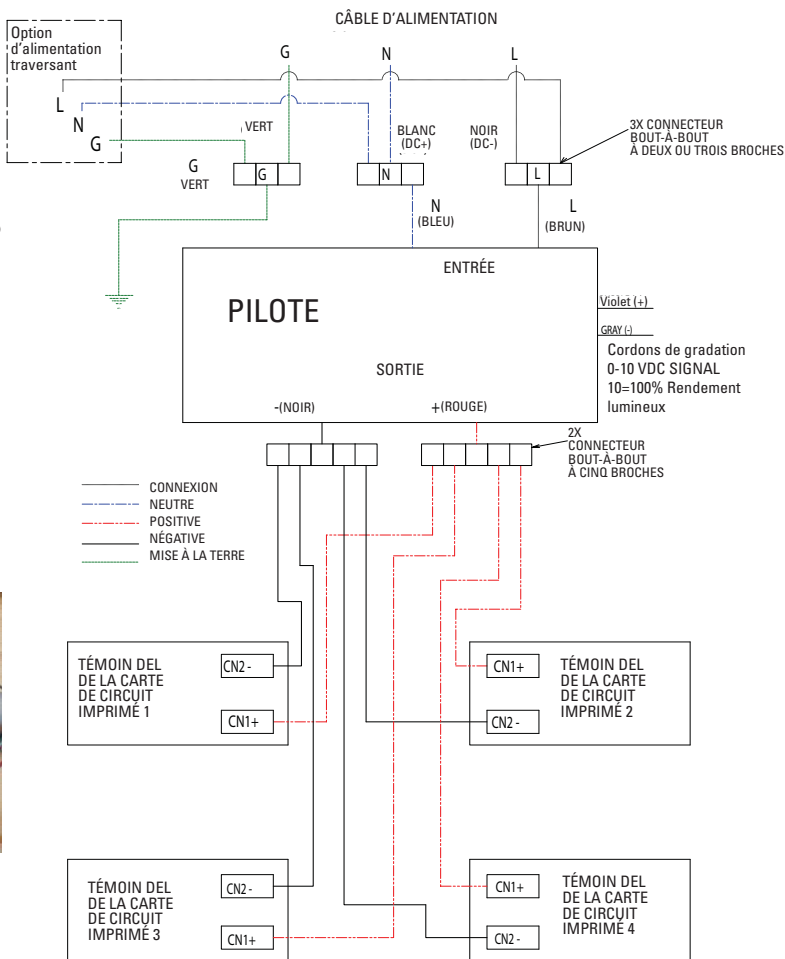


Figure 17

Option LP (Lynx Power)

Pour les luminaires équipés de l'option de raccordement Lynx POWER, tous les composants du luminaire sont précâblés afin de ne pas avoir à ouvrir le couvercle du circuit de commande. Raccorder un câble d'alimentation Lynx au connecteur femelle MR3E4BC100A préinstallé. Serrer le raccordement. L'extrémité opposée du cordon doit être raccordée comme l'indique le schéma de câblage à l'aide de méthodes conforme aux codes applicables. Tous les cordons de la série ML3C4VC peuvent être utilisés. Utiliser la longueur correspondant le mieux à l'application. Les câbles d'alimentation Lynx ne doivent être utilisés qu'avec des applications en tension alternative.

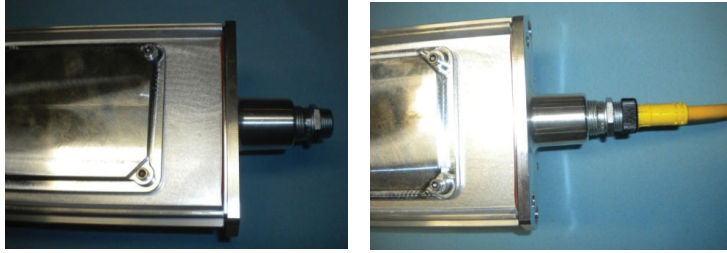


Figure 18

ENTRETIEN GÉNÉRAL

- Effectuer régulièrement des inspections visuelles, électriques et mécaniques. La fréquence des inspections dépend de l'environnement et de l'intensité de l'utilisation. Il est toutefois recommandé d'effectuer une inspection au moins une fois par an. Nous recommandons un programme d'entretien électrique préventif conforme au bulletin NFPA 70B de la National Fire Protection Association : « Recommended Practice for Electrical Equipment Maintenance » (www.nfpa.org).
- Les lentilles doivent être nettoyées à intervalles réguliers pour s'assurer d'un bon éclairage continu. Pour les nettoyer, essuyer les lentilles à l'aide d'un chiffon humide et propre. Au besoin, utiliser un savon doux ou un nettoyant liquide, comme Collinite NCF ou Duco no 7. Ne pas utiliser d'abrasif ni de nettoyant fortement alcalin ou acide, car ils pourraient endommager les lentilles.
- Rechercher la présence de décoloration sur les fils ou sur d'autres composants indiquant une surchauffe, de pièces endommagées, ou d'infiltration d'eau ou de corrosion à l'intérieur indiquant une fuite. Remplacer tous les composants usés, endommagés ou défectueux, et nettoyer les joints d'étanchéité avant de remettre le luminaire sous tension.
- Vérifier que tous les raccordements électriques sont propres et bien serrés. Vérifier si toutes les pièces sont bien assemblées.
- Vérifier et resserrer tout le matériel de fixation.

INSTRUCTIONS DE REMPLACEMENT DU CIRCUIT DE COMMANDE

- D'après les caractéristiques électriques précisées sur le boîtier du luminaire, l'une des trousse de remplacement de circuit imprimé de DEL d'Eaton's Crouse-Hinds suivantes devrait convenir. Veuillez vérifier le circuit imprimé fourni et, d'après le numéro de catalogue de ce dernier, commander la trousse de remplacement d'Eaton's Crouse-Hinds appropriée. Avant l'installation, veuillez vous assurer que le numéro de modèle, la tension et l'intensité électrique de la trousse de remplacement sont les mêmes que ceux du circuit d'origine.

Martek à DEL circuit de commande numéro de modèle	Numéro de catalogue	Luminaires compatibles	Caractéristiques élec- triques précisées sur le boîtier du luminaire	
			V	Hz
PS2565-Y501	TROUSSE VMVL/UNV1 80W 0.5A	PLL2/UNV1	90-277 VCA	50/60
			108-250 VCC	50/60
PS2569-Y501	TROUSSE VMVL/UNV34 80W 0.5A	PLL2/UNV34	347-480 VCA	50/60
PS2565-Y102	TROUSSE VMVL/UNV1 80W 1A	PLL4/UNV1	90-277 VCA	50/60
			108-250 VCC	50/60
PS2569-Y102	TROUSSE VMVL/UNV34 80W 1A	PLL4/UNV34	347-480 VCA	50/60

- S'assurer de mettre le luminaire hors tension avant d'effectuer un entretien.
- Pour faciliter le retrait du couvercle, un point d'appui a été placé dans l'un des coins du couvercle. (Voir la figure 17.)
- S'assurer que toutes les vis du couvercle du circuit de commande ont été retirées.

- Insérer la lame d'un tournevis plat dans le point d'appui et tourner le tournevis.
- Ouvrir le couvercle électrique et le laisser tomber sur le support.
- Déconnecter les fils d'entrée et de sortie du circuit de commande, puis, le cas échéant, déconnecter les fils du gradateur. (Voir la figure 18.)
- Retirer les 2 vis fixant le circuit de commande, puis le retirer.
- Poser le nouveau circuit de commande fourni par Crouse-Hinds d'Eaton.
- Raccorder les fils de sortie conformément au schéma de câblage. S'assurer que les fils positif (+) et négatif (-) du circuit de commande sont raccordés conformément au schéma de câblage.
- Placer le nouveau circuit de commande dans le luminaire. S'assurer que les fils conducteurs des panneaux à DEL sont bien rangés dans le boîtier et que les connecteurs des fils d'entrée et du gradateur sont placés dans le chemin de câbles sous le circuit de commande et qu'ils sont acheminés dans la zone de câblage d'entrée. (Voir la figure 20.)
- S'assurer que le circuit de commande est en contact direct avec le boîtier du luminaire et qu'aucun fil n'est coincé entre le circuit de commande le boîtier. Serrer les 2 vis à 5 po-lb (0,6 N.m).
- Raccorder les fils d'entrée conformément aux schémas de câblage.
- Replacer le circuit de commande du luminaire. (Voir la section « Câblage du luminaire ».)

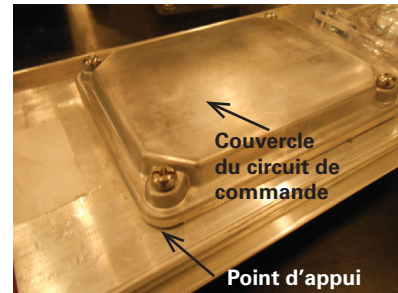
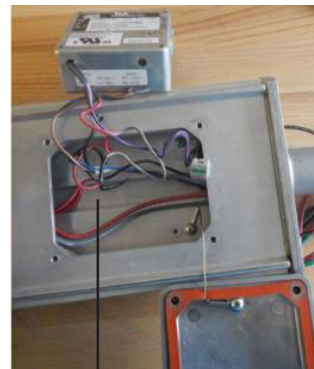


Figure 19



Chemin de câbles



Driver Cover

Figure 20

PIÈCES DE RECHANGE

Les luminaires à DEL Eaton Crouse-Hinds Linear® sont conçus pour fournir un éclairage fiable pendant de nombreuses années. Toutefois, si des pièces doivent être remplacées, des pièces de rechange sont disponibles chez votre distributeur agréé de Crouse-Hinds d'Eaton. Il est aussi possible d'obtenir de l'aide de la part de votre représentant local de Crouse-Hinds d'Eaton ou de notre service après vente à l'adresse suivante : Eaton Crouse-Hinds Sales Service Department, 1201 Wolf Street, Syracuse, New York 13208. Téléphone : 866-764-5454

Toutes les déclarations et les informations techniques contenues dans le présent document sont basées sur des informations et des essais que nous croyons fiables. Leur exactitude ou leur exhaustivité ne sont pas garanties. Conformément aux conditions de vente de Crouse-Hinds, et étant donné que les conditions d'utilisation sont hors de notre contrôle, l'acheteur doit déterminer si le produit convient à l'utilisation prévue et en assume tous les risques et toutes les responsabilités associées.