

Occupancy Sensor Champ PVM LED Family

Installation & Maintenance Information

Crouse-Hinds
by **EATON**

IF 1675

SAVE THESE INSTRUCTIONS FOR FUTURE REFERENCE

APPLICATION

Occupancy sensor kit for Champ Pro series industrial LED Luminaire.

- Suitable for ordinary locations only
- Suitable for wet locations, IP65, indoor use only

- COS1/UNV1 120/277VAC; 1/2" entry
- COS2/UNV1 120/277VAC; 3/4" entry
- COS3/UNV1 120/277VAC; 1" entry
- COS1/UNV34 340/480VAC; 1/2" entry
- COS2/UNV34 340/480VAC; 3/4" entry
- COS3/UNV34 340/480VAC; 1" entry

⚠ WARNING

To avoid the risk of fire, or electric shock, this product should be installed, inspected, and maintained by a qualified electrician only, in accordance with all applicable electrical codes.

⚠ WARNING

To avoid electric shock:

Be certain electrical power is OFF before and during installation and maintenance.

Luminaire must be supplied by a wiring system with an equipment grounding conductor.

To avoid burning hands:

Make sure luminaire lens and housing are cool when installing occupancy sensor and performing maintenance.

⚠ WARNING

To avoid product degradation:

Make sure the wire supply voltage is the same as the occupancy sensor supply

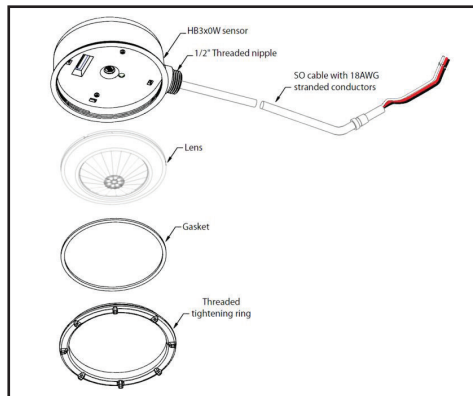
Do not operate in ambient temperatures above those indicated on the luminaire nameplate.

Use proper supply wiring as specified on the luminaire nameplate.

INSTALLATION

Lens Installation

1. Refer to Wattstopper instruction sheet for adjusting sensor settings.
2. Remove tightening ring and gasket from occupancy sensor.
3. Place lens in the occupancy sensor.
4. Replace gasket and securely tighten tightening ring as shown in sensor assembly drawing.



Mounting

Occupancy Sensor Mounting Bracket

1. Fit occupancy sensor nipple into hole of the bracket. Refer to figure A and B for the proper orientation of the occupancy sensor.
2. Secure occupancy sensor to bracket using nut provided with occupancy sensor (refer to Figure B).
3. Align slot in the bracket base with one of the bosses of the heat sink fins. Slide bracket down over heat sink fin.
4. Secure bracket to fin using set screw.

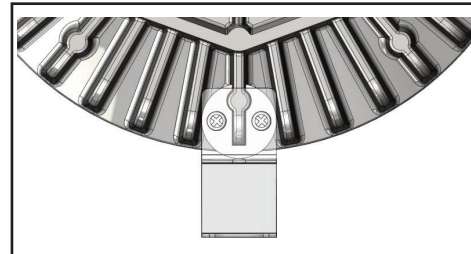


Figure A

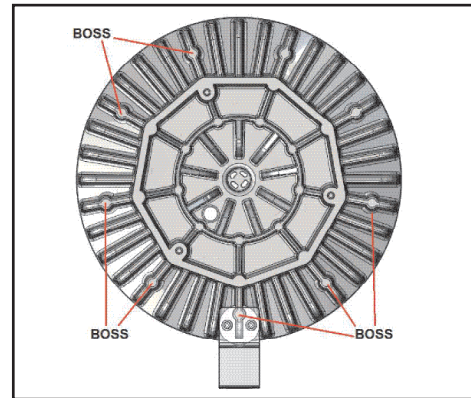


Figure B

PENDANT MOUNTING

Refer to Luminaire for assembly illustration

1. Remove Champ fixture from top hat, disconnect field wiring, and remove cover module from conduit.
2. Securely thread T onto conduit.
3. For 1" and 3/4" NPT: Securely thread reducer to horizontal entry of T. Securely thread cord grip to reducer. For 1/2" NPT: Securely thread cord grip gland to T.
4. Securely thread nipple to remaining T entry.

5. Securely thread cover module onto nipple.
6. Tighten set screw located on interior of cover module.

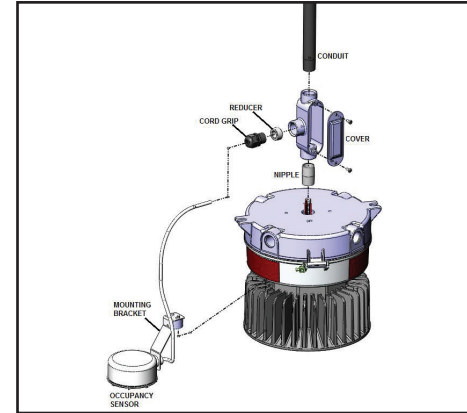


Figure C

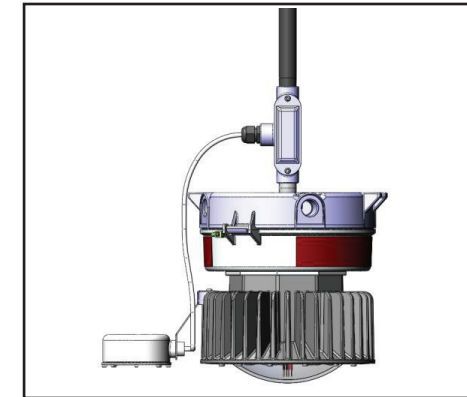


Figure D

Ceiling Mount Gland

1. Remove luminaire. Refer to Figure E and F.
2. For 1" and 3/4" NPT: Securely thread reducer to entry of the top hat and securely thread cord grip to reducer. For 1/2" NPT: Securely thread gland to top hat entry.

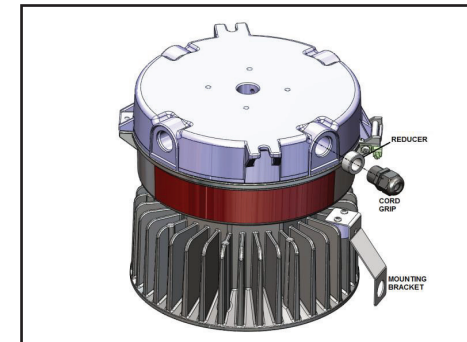


Figure E

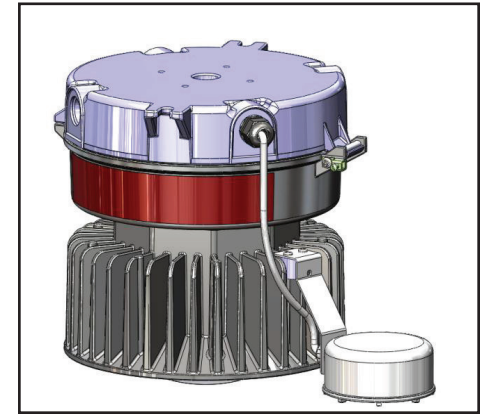
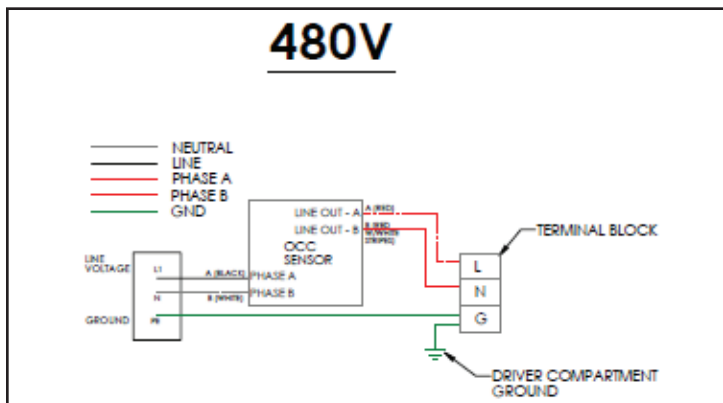
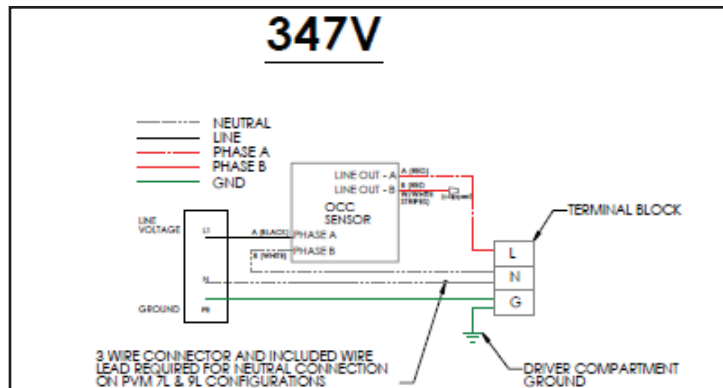
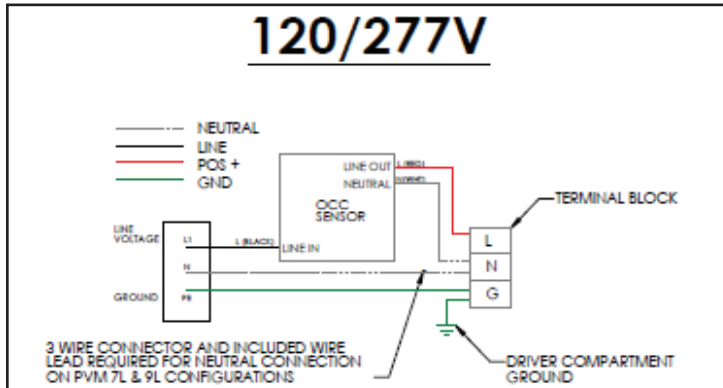


Figure F

WIRING

1. Hang luminaire from cover module.
2. Pull occupancy sensor wires and field wiring through the cord grip and cover module.
3. Attach wire extensions to field wiring using wiring nuts.
4. Wire occupancy sensor as per wiring diagram.
5. Tighten cord grip.
6. Close the driver housing onto the cover module, making sure that all wires are safely inside the driver housing. Tighten captive closing screw to 30 in.-lbs. (3.4 N-m).
7. Turn power on.



All statements, technical information and recommendations contained herein are based on information and tests we believe to be reliable. The accuracy or completeness thereof are not guaranteed. In accordance with Crouse-Hinds "Terms and Conditions of Sale," and since conditions of use are outside our control, the purchaser should determine the suitability of the product for his intended use and assumes all risk and liability whatsoever in connection therewith.