

EVLL HAZARD•GARD® LED LUMINAIRE

Crouse-Hinds
by **EAT•N**

IF 1635

Installation & Maintenance Information

SAVE THESE INSTRUCTIONS FOR FUTURE REFERENCE

APPLICATION

EVLL HAZARD•GARD® LED Luminaires are suitable for use in the following hazardous (classified) areas as defined by the National Electrical Code (NEC®) and Canadian Electrical Code (CEC):

- Class I, Division 1, Groups B, C, D
- Class II, Groups E, F, G
- Wet locations (UL1598), Marine locations (UL1598A), NEMA 4X, IP66

Refer to the luminaire nameplate for specific classification information, maximum ambient temperature suitability and corresponding operating temperature (T-Code).

EVLL HAZARD•GARD® LED Luminaire is designed for use indoors and outdoors in marine and wet locations, where moisture, dirt, corrosion, vibration, and rough usage may be present.

EVLL HAZARD•GARD® LED Luminaires are supplied for use with a choice of voltages:

- 100VAC - 277VAC, 50/60Hz, 108-250VDC
- 347VAC - 480VAC, 50/60Hz

• NEMA 4X

• UL IP66



FIGURE 1

⚠ WARNING

To avoid the risk of fire, explosion, or electric shock, this product should be installed, inspected, and maintained by a qualified electrician only, in accordance with all applicable electrical codes.

⚠ WARNING

To avoid electric shock:

Be certain electrical power is OFF before and during installation and maintenance.

Luminaire must be supplied by a wiring system with an equipment grounding conductor.

⚠ WARNING

To avoid explosion:

Make sure that the supply voltage is the same as the luminaire voltage.

Do not install where the marked operating temperatures exceed the ignition temperature of the hazardous atmosphere.

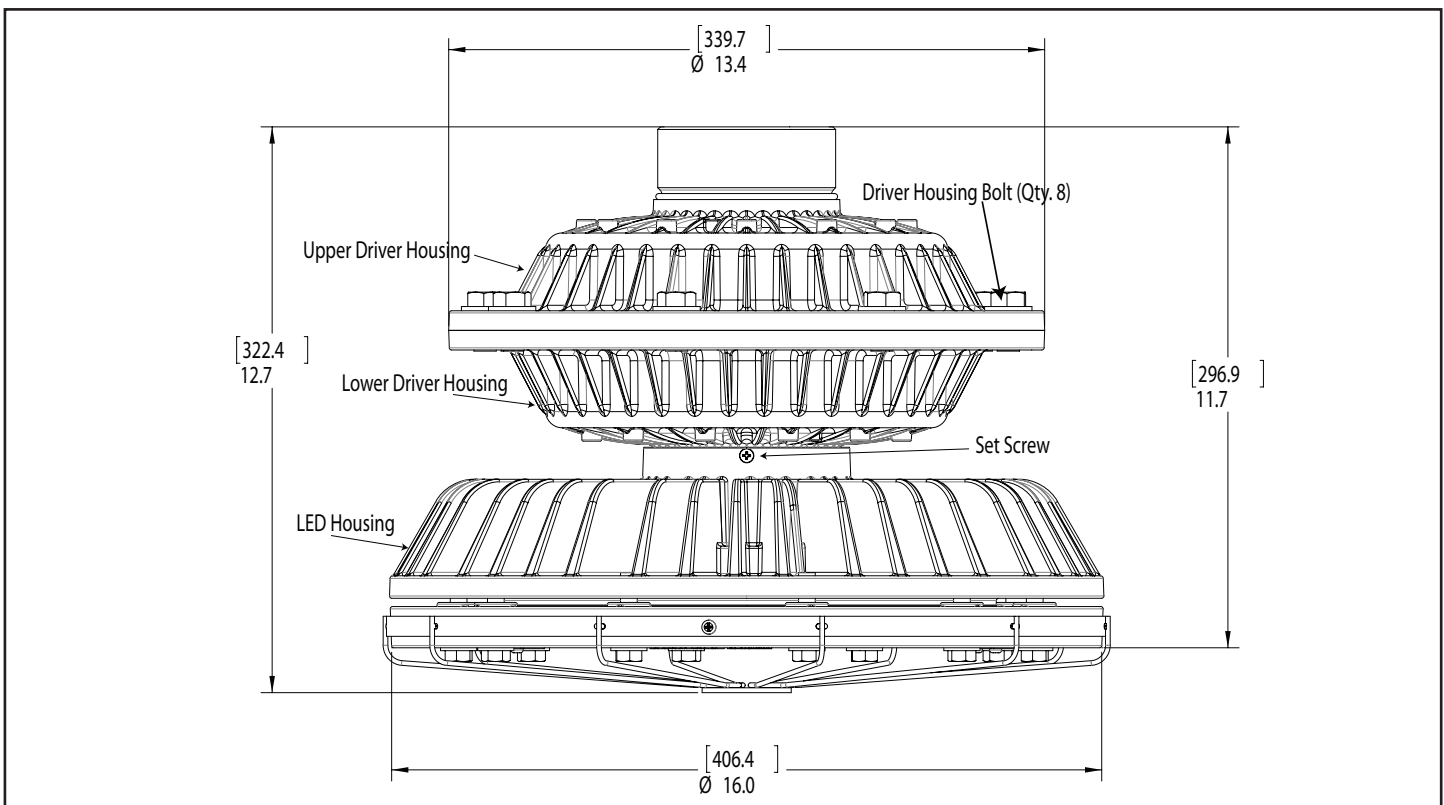
Do not operate in ambient temperatures above those indicated on the luminaire nameplate.

All gasket seals must be clean and undamaged.

Use proper supply wiring as specified on the luminaire nameplate.

Before dismounting, electrical power to the luminaire must be turned off. Keep tightly closed when in operation.

DIMENSIONS



INSTALLATION

Mounting Modules

- To prevent galling, lightly lubricate all mounting module threads using Crouse-Hinds HTL lubricant.
- Refer to the mounting module nameplate for the supply wire temperature

WARNING

To avoid explosion, seal luminaire conduit within the distance given in Table 1, local electrical code requirements, and NEC Article 501 (CEC Section 18).

rating. Module	EXTERNAL SEALING REQUIREMENTS	
	Group C & D	Group B
EVSP Pendant		
EVSC Ceiling		
EVSJ Stanchion		10 ft. (3 m.)
EVSW Wall		
EVSA Adapter + EVMP Pendant		18 in. (45 cm.)
EVSA + EV Ceiling	5 ft. (1.5m)	18 in. (45 cm.)
EVSA + EVMJ Stanchion		18 in. (45 cm.)
EVSA + EV Wall Bracket		18 in. (45 cm.)

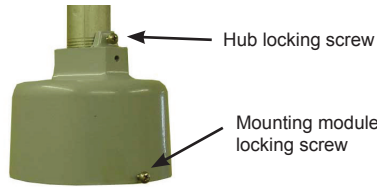
TABLE 1

WARNING

To prevent electric shock, isolating fixture hangers must not be used in installations where the conduit system is used as the grounding connection.

Pendant mounting module installation:

Lightly lubricate hub threads with Cooper Crouse-Hinds HTL lubricant. Thread the

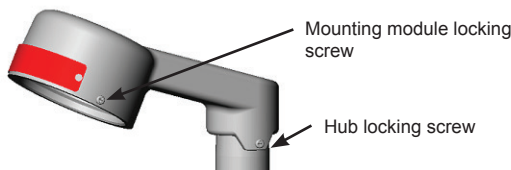


pendant mount onto the conduit until wrench-tight.

Tighten hub locking screw to conduit to 40 lb.-in. (4.5 N-m).

Figure 2 - Pendant Mounting Module Installation

Stanchion mounting module installation:



Hub mounting thread is 1-1/2 NPT. Lightly lubricate hub thread using Crouse-Hinds HTL lubricant. Thread stanchion mounting module on conduit and torque until wrench-tight.

Tighten hub locking screw to conduit to 40 lb.-in. (4.5 N-m).

Figure 3 - Stanchion Mounting Module Installation

Ceiling mounting module installation:

Secure the ceiling mount to the structure using four 5/16" fasteners (not supplied).

Lightly lubricate hub threads using Crouse-Hinds HTL lubricant. Thread conduit into the mounting module hubs until wrench-tight. Install pipe plugs (supplied) into unused conduit openings and torque firmly.

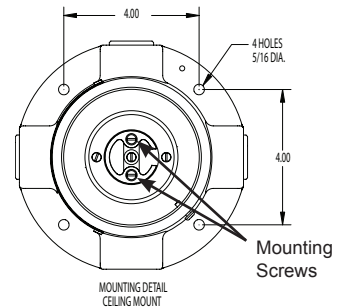


Figure 4 - Ceiling Mounting Module Installation

Wall mounting module:

Secure the wall mounting module to the structure using two 3/8" fasteners (not supplied).

Lightly lubricate hub threads using Crouse-Hinds HTL lubricant. Thread conduit into the mounting module until wrench-tight. Install pipe plugs (supplied) into unused conduit openings and torque firmly.

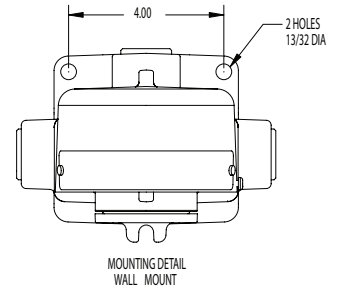


Figure 5 - Wall Mounting Module Installation

Wiring must be made prior to mounting fixture. Access opening may be used while pulling wires into the wall mounting module. Ensure that the cap o-ring is clean and undamaged and that the cap is completely threaded into the mounting module before power is restored.

Wiring

- Remove connection block from mounting module by removing two chrome-colored screws. Pull field wiring into the mounting module.
- Connect connection block wires to supply wires per the attached wiring diagrams using methods that comply with all applicable codes.
- Attach circuit ground wire to GREEN ground wire in the mounting module. If separate ground conductor is not used in wiring system, ground wire in mounting module must be capped or removed.
- Attach ungrounded primary supply wire to BLACK connection block conductor and other supply wire to RED connection block conductor.
- Tighten all electrical connections securely.
- Insert connection block into mounting module, and install the two mounting screws. See Figure 7.



Figure 6 - Wiring Connections

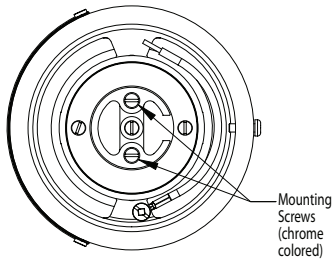


Figure 7 - Connection Block Installation

- Apply a small amount of HTL® lubricant to threads. Thread luminaire assembly completely into the mounting module. Tighten locking screw on mounting module head to 40 lb.-in. (4.5 N-m).



WARNING

To maintain explosionproof integrity, make sure all threads are fully engaged.

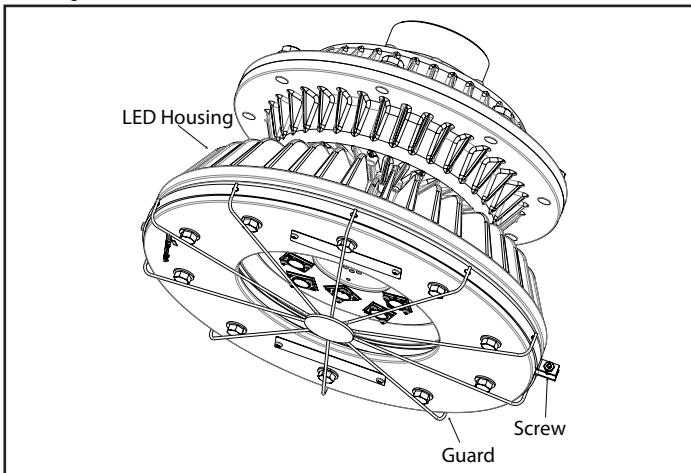
- Turn power on.

GUARD INSTALLATION

Optional guards:

- Wire P71

- Slip wire guard on the LED housing (see diagram below).
- Tighten the screw.



MAINTENANCE

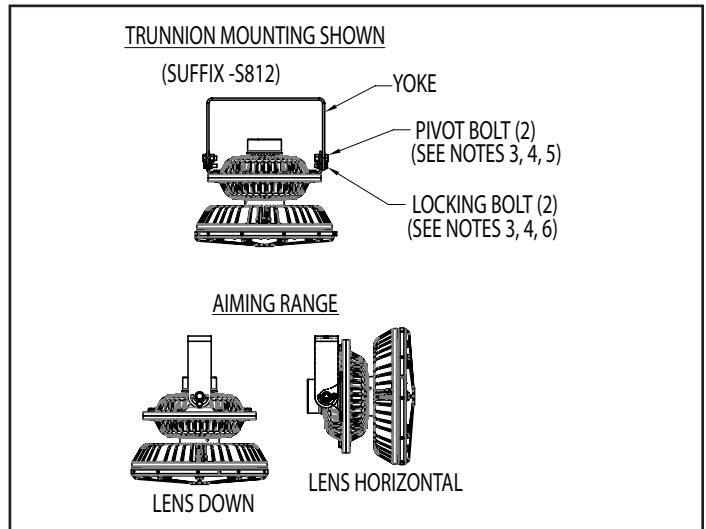
- Perform visual, electrical, and mechanical inspections on a regular basis. The environment and frequency of use should determine this. However, it is recommended that checks be made at least once a year. We recommend an Electrical Preventive Maintenance Program as described in the National Fire Protection Association Bulletin NFPA No. 70B: Recommended Practice For Electrical Equipment Maintenance (www.nfpa.org).
- The lens should be cleaned periodically to ensure continued lighting performance. To clean, wipe the lens with a clean, damp cloth. If this is not sufficient, use a mild soap or a liquid cleaner such as Collinite NCF or Duco #7. Do not use an abrasive, strong alkaline, or acid cleaner. Damage may result.
- Visually check for undue heating evidenced by discoloration of wires or other components, damaged parts, or leakage evidenced by water or corrosion in the interior. Replace all worn, damaged, or malfunctioning components, and clean gasket seals before putting the luminaire back into service.
- Electrically check to make sure that all connections are clean and tight.
- Mechanically check that all parts are properly assembled.
- To prevent heat build-up, remove dust from the fins on the LED housing, using a soft brush or air pressure.

REPLACEMENT PARTS

Crouse-Hinds EVLL HAZARD•GARD® LED Luminaires are designed to provide years of reliable lighting performance. However, should the need for replacement parts arise, they are available through your authorized Crouse-Hinds distributor. Assistance may also be obtained through your local Crouse-Hinds representative.

Crouse-Hinds Sales Service Department, P.O. Box 4999, Syracuse, New York 13221, Phone (315) 477-7000.

TRUNNION MOUNT INSTALLATION

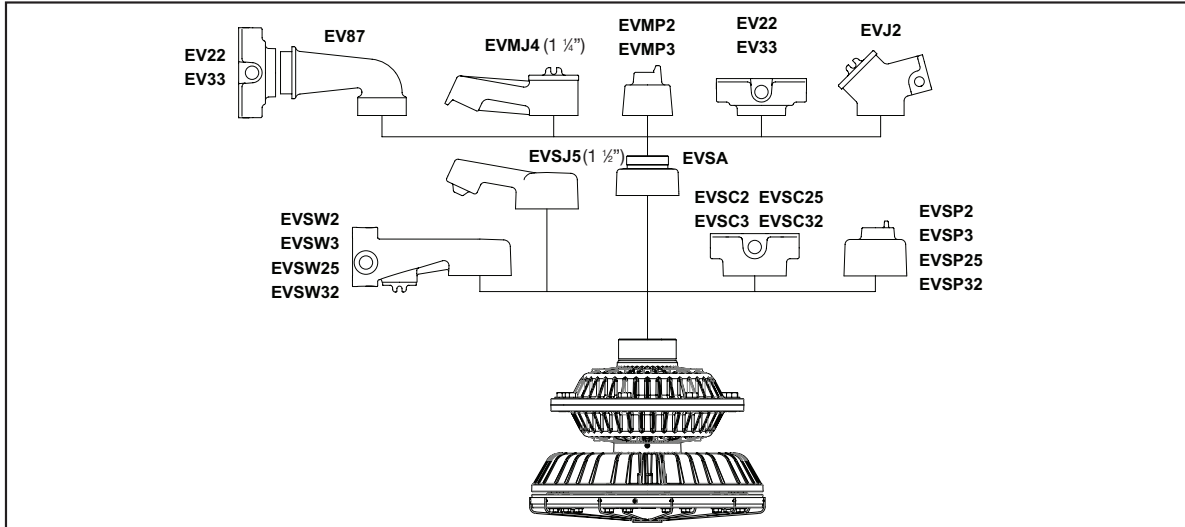


- Using yoke as a template, mark and drill desired location on mounting surface.
- Secure yoke to surface using 1/2" bolts or lag screws (not provided).
- To make final adjustment, loosen the pivot and locking bolts to position at the desired angle*.
- Rotate fixture to the desired position.
- Tighten the two (2) 1/2-13 pivot bolts to 45±1.7 lbs.-ft. [61.23±0.23 N-m].
- Tighten the two (2) 5/16-18 locking bolts to 11.45±1.2 lbs.-ft. [15.6±1.6 N-m].

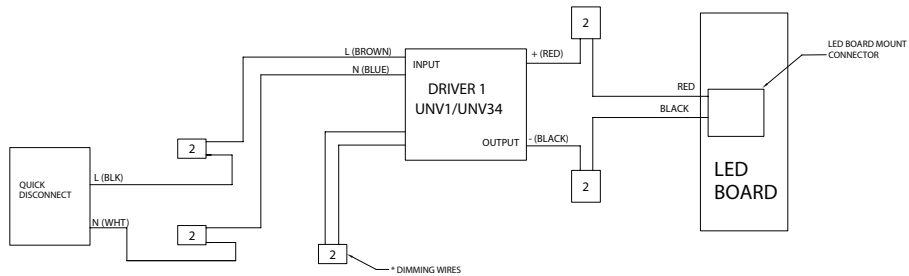
*For Class II installations only. Fixture mounting range is limited to lens down to horizontal.

FIELD ASSEMBLED LUMINAIRE - EVLL HAZARD•GARD® LED SERIES LUMINAIRE

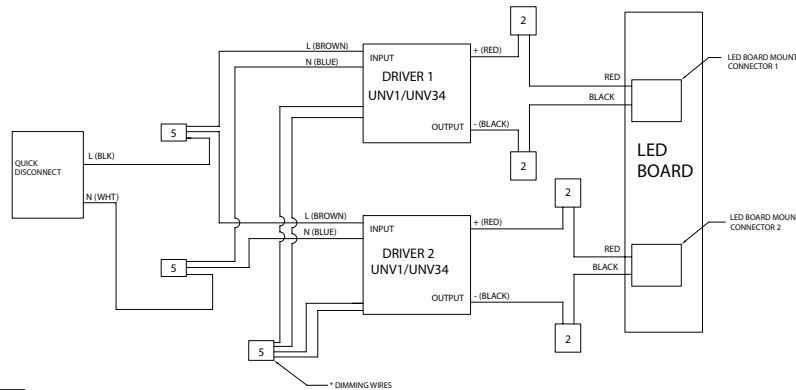
A complete EVLL luminaire consists of: an EVLL driver-led enclosure, a mounting module, with or without guard and/or reflector



WIRING DIAGRAMS



2 WAGO 2-POLE LEVER LOCK P/N: 222-412
 * UNV1 DIMMING WIRES: + (VIOLET) & - (GRAY)
 UNV34 DIMMING WIRES: + (YELLOW) & - (GRAY)



2 WAGO 2-POLE LEVER LOCK P/N: 222-412

5 WAGO 5-POLE LEVER LOCK P/N: 222-415

* UNV1 DIMMING WIRES: + (VIOLET) & - (GRAY)
 UNV34 DIMMING WIRES: + (YELLOW) & - (GRAY)

100V to 277VAC 50 or 60 Hz or 180V to 250VDC Input
 347V to 480VAC 50 or 60Hz Input

All statements, technical information and recommendations contained herein are based on information and tests we believe to be reliable. The accuracy or completeness thereof are not guaranteed. In accordance with Crouse-Hinds "Terms and Conditions of Sale", and since conditions of use are outside our control, the purchaser should determine the suitability of the product for his intended use and assumes all risk and liability whatsoever in connection therewith.