

# CHAMP® Quick Clip for VMV, DMV, LMV and VMV High Wattage

## Installation & Maintenance Information

### SAVE THESE INSTRUCTIONS FOR FUTURE REFERENCE

**⚠ WARNING**

Be certain to completely tighten the captive screw. Clip does not provide proper closing of the housing to the cover.

**⚠ WARNING**

Clip is intended to temporarily hold the weight of the housing only. Do not use housing for support or put additional load on the quick clip.

**⚠ WARNING**

**To avoid electric shock:**

Be certain electrical power is OFF before and during installation and maintenance. Luminaire must be supplied by a wiring system with an equipment grounding conductor.

**To avoid burning hands:**

Make sure globe or refractor and lamp are cool when performing maintenance.

**⚠ CAUTION**

To avoid injury, do not lean on luminaire or use it as a support. Make sure that footing is secure during installation or maintenance.

## INSTALLATION

Quick Clip is designed to temporarily hold the housing in place while the captive closing screw is tightened. The clip makes installation and maintenance easier by freeing up both hands to tighten the screw while attaching the housing to the cover.

- 1) Hang the housing on the cover module hinge hook. See Figure 1.
- 2) For proper wiring, refer to instruction sheet that shipped with the product.
- 3) Close the housing onto the cover module so that the clip goes onto the flange on the cover, holding the housing in place. See Figure 2
- 4) Make sure that all wires are safely inside and positioned away from the ballast area. Tighten the captive closing screw 30 in.-lbs. (3.4 N-m). See Figure 3
- 5) To open: Loosen the captive screw and push up on the bottom of the housing. Pull the top of the clip slightly away from the cover flange while moving the housing back into the hanging position. Be sure to support the housing while opening.

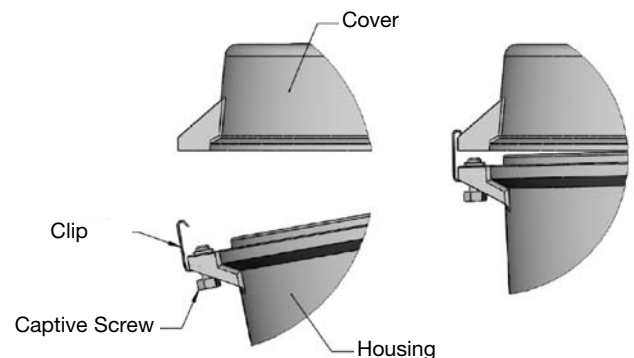


Figure 2



Figure 1

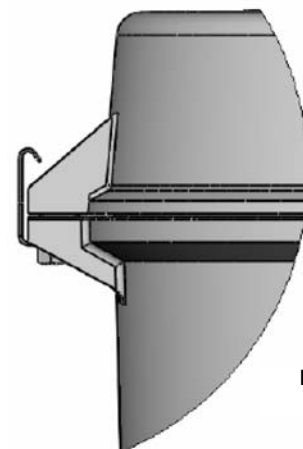


Figure 3

All statements, technical information and recommendations contained herein are based on information and tests we believe to be reliable. The accuracy or completeness thereof are not guaranteed. In accordance with Crouse-Hinds "Terms and Conditions of Sale", and since conditions of use are outside our control, the purchaser should determine the suitability of the product for his intended use and assumes all risk and liability whatsoever in connection therewith.