

EMERGENCY LIGHTING PRODUCTS

ELPS502(M05) SYSTEM, ELPS502(M05) EXS/EXD SYSTEM, ELPS50(M05) POWER SUPPLY, EVLA12 LIGHTING FIXTURE

Installation & Maintenance Information

IF 1510

SAVE THESE INSTRUCTIONS FOR FUTURE REFERENCE

APPLICATION

The ELPS502 Model #M05 Emergency Lighting System is designed to automatically provide illumination to designated areas during failure or interruption of power to the normal lighting system. The ELPS502 is factory assembled and wired, and consists of one (1) ELPS50 power supply and two (2) EVLA lighting fixtures.

When properly installed, the following raintight ELPS Emergency Lighting Systems are UL and cUL Listed for use in:

- ELPS50 Power Supply - Class I, Division 1, Groups B, C, D
- ELPS502 - Class I, Division 1, Groups B, C, D

Exit sign not UL/cUL

- ELPS502 (EXS/EXD) - Class I, Division 1 & 2, Groups C, D
(Group B when ordered with GB suffix)

All ELPS Emergency Lighting Systems are suitable for use in Class II, Division 1, Groups E, F, G and simultaneous presence hazardous (classified) areas as defined by the National Electrical Code®.

The ELPS50 power supply consists of a battery supply and battery recharging system housed inside a hazardous area enclosure with all the circuitry to automatically turn on emergency DC lighting fixture(s) when the normal power supply fails. A pilot light indicates when normal power is being supplied to the unit. A "push-to-test" pushbutton switch is provided for periodic testing of the unit.

Detail indication logic is given below:

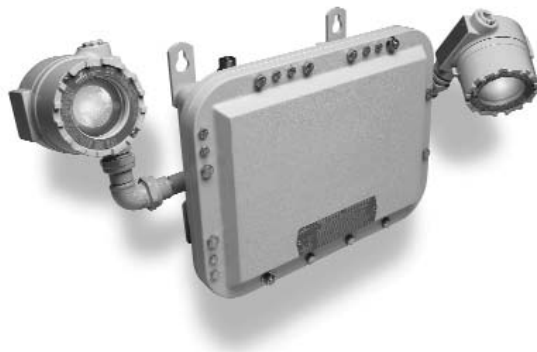
*	No Light	AC power is removed from circuit
-	Steady Light (No blinks)	Fully charged
**	Light Blinks Once	Charging
_	Light Blinks Twice	Battery failure
_	Light Blinks Three Times	Circuit failure

Immediately after supply power is initiated, the indicating lamp will blink/pulse to indicate that the unit is charging. Once installed with supply power, the ELPS requires 72 hours to charge the battery. Once the unit has completed charging, the indicating light will stop blinking and go to steady. Every six months, the unit will automatically perform a 90-minute battery discharge test.

At the completion of the test, if it is determined not to have met the 90-minute requirement, the indicating lamp will display circuit failure (3 blinks). At any time, if the battery connection is not adequate, the indicating lamp will display a battery failure (2 blinks).

The EVLA12 lighting fixture is a factory sealed assembly housing a single halogen lamp/reflector light source. ELPS EVI and ELPS EVA GB Exit Signs are factory sealed with a single incandescent light source. Lamps are included with all fixtures.

The EVLA12 is suitable for NEMA 4X locations when remote mounted (not installed on an ELPS power supply) and supplied with a NEMA 4X breather/drain.



RATINGS

ELPS50 Power Supply:

Input	-120, 220/240 and 277 VAC ± 5%, 50 or 60Hz	
	-0.5 Amperes maximum	
Output	-12 VDC; 2.5 Amperes	
	-28 Watts for 1½ hours (ELPS502)	
	-29 Watts for 1½ hours (ELPS502 EXS/EXD)	
Ambient Temp:	-0°C to 40°C	

Lamp Fixtures:

	EVLA12	ELPS EVI/ELPS EVA GB
Input	-12 VDC	-12 VDC
Ambient Temp.	-55°C maximum	-40°C maximum
Operating Temp. Code	-Class I - T4A; -Class II, III - T3C -Simultaneous Presence - T3C	-Class I - T4 -Class II, III - T3C

NOTE: Ambient temperature at which ELPS50 power supply is rated is 0°C to 40°C to maximize battery capacity. EVLA12 lighting fixtures are permitted in higher, 55°C ambient temperature areas for more freedom in selecting remote installation location.

NOTE: Unit comes standard with a 15-minute time delay to comply with NEC 700.16 for HID illumination.

National Electrical Code® is a registered Trademark of the National Fire Protection Association.

IMPORTANT

Emergency lighting system should be installed, inspected, operated, and maintained by qualified and competent personnel.

WARNING

To avoid personal injury, electric shock, and equipment failure:

1. Do not use this equipment for other than intended use.
2. Do not use accessory equipment not recommended by the manufacturer.
3. Electrical power must be turned OFF before and during installation and maintenance.
4. Equipment should be mounted in locations and at heights where it will not readily be subjected to tampering by unauthorized personnel.
5. Do not mount near heat producing equipment.
6. In Class I areas, install and seal all equipment in accordance with the National Electrical Code articles pertaining to hazardous (classified) locations, plus any other applicable codes.
7. Install only wiring systems with an equipment grounding conductor (which may be the conduit system) to supply the ELPS.
8. Two (2) single-pole "Designated Disconnect" switches must be installed to disconnect the battery circuit and the supply circuit for safety in maintenance and servicing.
9. Free installation area of hazardous atmospheres before wiring.
10. Observe all battery handling precautions contained herein.
11. Hammers or prying tools must not be allowed to damage the flat joint surfaces of the ELPS50 power supply housing. Do not handle covers roughly, or place them on surfaces that might damage or scratch the flat joint surfaces.
12. To avoid shattering: Do not operate lamp in excess of rated voltage, protect lamp against abrasion and scratches, and against liquids when lamp is operating. Dispose of lamp properly.

INSTALLATION

A. Install ELPS502 System or ELPS50 Power Supply

⚠ WARNING

To avoid electrical shock, electrical power must be turned OFF before and during installation and maintenance.

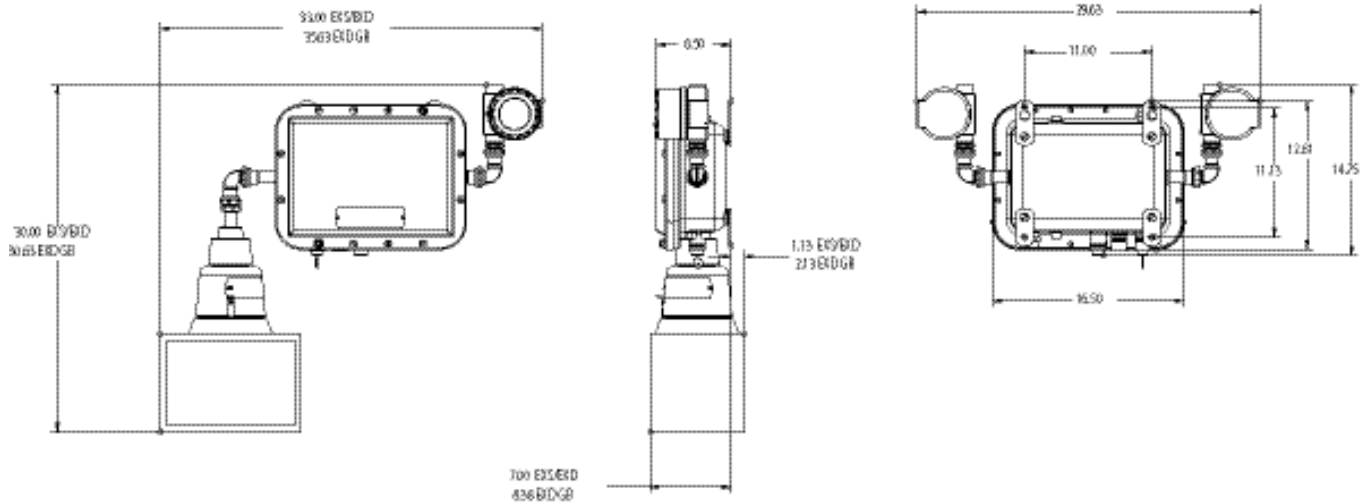


Figure 1. ELPS502 and ELPS502 EXS / EXD Dimensions

1. Select mounting location that will provide suitable strength and rigidity for supporting power supply and attached lighting fixtures. Figure 1 shows the overall dimensions and mounting dimensions for the four (4) mounting feet.

Weights:	ELPS502 System	50 lbs.
	ELPS502 EXS/EXD System	60 lbs.
	ELPS50 Power Supply	40 lbs.
	EVLA12 Fixture	5 lbs.

2. Securely fasten enclosure to the mounting location using 3/8" diameter bolts or screws.

⚠ IMPORTANT

The recommended mounting position is with the back wall of the enclosure fastened to a vertical surface with the pilot light and push-to-test pushbutton located on the bottom of the enclosure.

⚠ NOTE

A Class I, Division 1 sealing fitting must be installed within 18 inches of the conduit entry of the ELPS enclosure. Use Chico® A or Chico® SpeedSeal™ sealing compound to seal the conduit entry.

3. Remove the cover bolts and nuts from two (2) stud bolts, then lift off cover and carefully set it aside to prevent damage to the flat joint and flange gasket.

NOTE: ELPS units have two (2) stud bolts located at diagonally opposite corners of the body to aid in positioning cover. Do not remove stud bolts.

4. Proceed to Section B to attach and/or adjust EVLA lighting fixtures.

⚠ CAUTION

To avoid damaging the flat joint surfaces, do not use hammers or prying tools to open covers. Do not handle covers roughly, or place them on surfaces that might damage or scratch the flat joint surfaces.

B. Attach and Adjust EVLA12 Lighting Fixture(s)

NOTE: If installing ELPS502, fixtures are already attached. Proceed to Step 5 to adjust fixtures.

⚠ CAUTION

EVLA fixture head and arm are limited to no more than 180° of rotational adjustment. Failure to adhere to this will result in damage to the internal wiring.

1. Remove pipe plug(s) from the 1" NPT tapped holes in the side(s) of the ELPS50 power supply enclosure where the EVLA12 fixture is to be installed.

NOTE: Remotely mounted EVLA fixtures can be mounted in a suitable splice box, such as Cooper Crouse-Hinds EABT36, EABL36, or EABC36 that provides a 1" hub for fixture attachment.

⚠ IMPORTANT

Spacers are required between splice box and mounting surface to ensure proper clearance for fixture hub rotation during installation. 1-1/8" dimension is required between center line of mounting hub and face of mounting surface.

2. Thread light assembly into body, being sure that the reducer fitting is engaged with the body at least five (5) full threads.
3. Using a 1-5/8" wrench, loosen Nut 'A', position lamp head in desired vertical position, and re-tighten to 58 lb.-ft. torque.
4. Using the same 1-5/8" wrench, loosen Nut 'B' and position lamp head in desired horizontal position. Be sure to re-tighten Nut 'B' to 58 lb.-ft. torque.

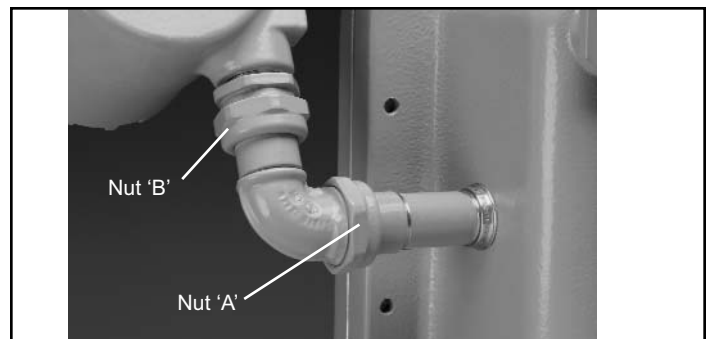


Figure 2. EVLA Lighting Fixture

NOTE

In Class II, Class III, and Simultaneous Presence locations, limit upward aiming of fixture to a maximum of 30° above horizontal. Greater upward aiming could lead to excessive dust build-up and dangerous overheating of the dust.

- Repeat the preceding steps if a second EVLA12 fixture is to be installed on the ELPS50 power supply enclosure.
- Proceed to Section C for conduit connection and wiring instructions.

C. Conduit Connection and Wiring

- Connect enclosure to properly grounded conduit system, installing conduit sealing fittings as required by Section 501.15 and, if required, 502.15 of the National Electrical Code plus any other applicable codes.
- If cable is utilized, a cable sealing fitting must be installed as required by Section 501.15 of the National Electrical Code plus any other applicable codes.

NOTE: Refer to Step 2b, making sure that the “designated disconnect” housing is installed in the system.

WARNING

- To avoid explosion, all unused conduit openings must be plugged. Plug must engage a minimum of five (5) full threads. Use PLG plugs supplied with the unit.
- To maintain explosionproof integrity, conduit sealing fittings MUST be installed in each attached conduit run (within eighteen (18) inches of the ELPS50 power supply enclosure in Class I locations).
- To maintain explosionproof integrity in Class I areas, conduit sealing fittings are required on all conduit entrances (within eighteen (18) inches of the ELPS50 power supply enclosure) for all remotely located emergency lighting fixtures.

- Make all wiring connections following wiring diagram located on power supply battery bracket.

NOTE: Although generally not required, the interior assembly may be removed to facilitate wire pulling. Remove four (4) 1/4-20 screws and lock washers and disconnect wire leads at the pilot light and switch. DO NOT handle interior roughly or place it in an area where dirt, dust, or grime will damage it. Replace as soon as all wiring has been pulled into enclosure.

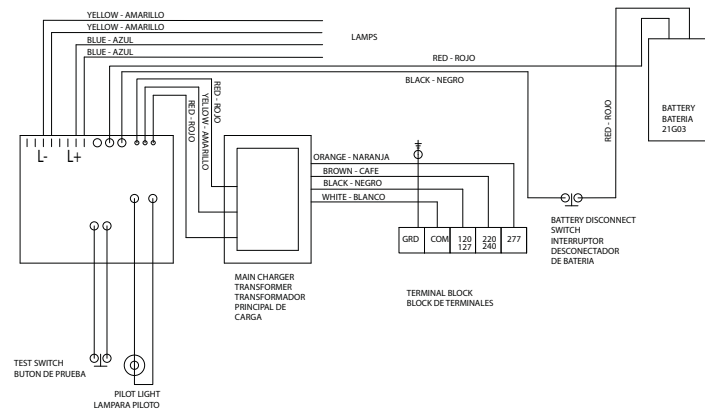


Figure 3. Wiring Diagram

WARNING

- To avoid explosion or personal injury, all electrical power must be turned OFF before and during installation and maintenance and installation area must be free of hazardous atmospheres.

NOTE: If installing ELPS502, connection of lighting fixture supply leads is already completed. Proceed to Step 2b.

- Connect EVLA12 lighting fixture(s) supply leads to slots L+ and L-. See figures 3 and 4.
- Connect incoming AC power 120, 220/240 or 277 VAC, 50 or 60 Hz emergency light battery circuit through a “designated disconnect” switch.

NOTE: Insulation rating on 12V conductors must equal to that of the higher voltage power supply leads in accordance with Article 300.3(C) of NEC.

Important: TO PROPERLY INSTALL AND OPERATE THE ELPS, YOU MUST INSTALL A SEPARATE DISCONNECT SWITCH. IF THE DISCONNECT SWITCH IS LOCATED IN THE HAZARDOUS AREA, YOU MUST INSTALL A CLASS I, DIVISION 1 RATED SWITCH. USE COOPER CROUSE-HINDS EDS2129 OR EDS2129GB FOR GROUP B APPLICATIONS. (See Warning below)

This designated disconnect switch can be supplied as part of the ELPS502 emergency light (Option S794 or Option S854).

Option S794 - Key operated designated disconnect as part of the ELPS502 emergency light. See Step 2c below to continue supply wiring.

Option S854 - Keyless designated disconnect as part of the ELPS502 emergency light. See Step 2c below to continue supply wiring.

EDS2129 (EDS2129GB for Group B applications) - Designated Disconnect Remote Mounted (not supplied). Install per the instructions supplied with the EDS2129(GB) disconnect. Wire to terminals 8 and 9. See Step 2c to continue supply wiring.

WARNING

- To avoid explosion, a designated disconnect position with lock-in/lock-out is required for safe servicing of the completely wired unit. The lock-in/lock-out capability will help prevent unauthorized opening of the circuit when the system should be functioning and to help prevent energizing of the system while it is being serviced, minimizing the possibility of arcing in the battery circuit while the enclosure is open in a hazardous (classified) area.
- To avoid explosion, the designated disconnect switch, Cooper Crouse-Hinds EDCS2129 (EDS2129GB for Group B applications) must be suitable for use in the hazardous locations in which it is installed.

- Connect 120 VAC primary (through designated disconnect) to terminal 120. Connect 220/240 VAC primary (through designated disconnect) to terminal 220/240. Connect 277 VAC primary (through designated disconnect) to terminal 277. Connect common to terminal COM. Connect all equipment grounding conductors to terminal GRD. Connect battery connector to circuit board. Verify that transformer connector is also connected to circuit board.

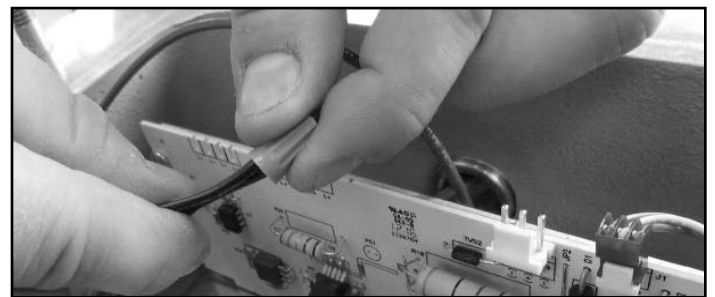


Figure 4.

⚠ WARNING

To avoid electrical shocks, use fixture only on systems with an equipment grounding conductor.

NOTE

Unit needs to charge for 72 hours before conducting any tests. Do not disconnect AC power until unit is fully charged.

3. Test wiring for correctness with continuity checks and also for unwanted grounds with insulation resistance tester.
4. Allow the ELPS to charge under line power for 72 hours before initiating any testing of the emergency operation of the lights.

D. Complete Installation

1. Install CID101 corrosion inhibitor device (supplied loose in ELPS50). Recommended location is on the bottom wall between "Main Power On" pilot light and 1" NPT tapped hole. Refer to CID101 instructions for installation.

⚠ CAUTION

To avoid explosion, clean both flat joint surfaces of body and cover before closing. Dirt or foreign material must not accumulate on flat joint surfaces. Surfaces must seat fully against each other to provide a proper explosionproof seal.



Figure 5. ELPS50 Controls

2. Close cover and securely tighten all cover bolts and nuts to 30 ft.-lbs. torque making certain that no cover bolts are omitted. Use only bolts supplied with the enclosure.

NOTE: ELPS units have two (2) stud bolts located at diagonally opposite corners of the body to aid in positioning cover.

⚠ NOTE

A Class I, Division 1 sealing fitting must be installed within 18 inches of the conduit entry of the ELPS enclosure. Use Chico® A or Chico® SpeedSeal™ sealing compound to seal the conduit entry.

DO NOT depress the push-to-test pushbutton until after the ELPS has been powered for 72 hours. The emergency battery requires 72 hours to fully charge. The indicating light will illuminate steadily (no pulsing) when the ELPS is fully charged.

3. Test emergency lighting system for proper operation:
 - a. Turn on power to designated disconnect switch.
 - b. Turn on designated disconnect switch and observe:
 - "Main Power ON" indicating pilot light should be operating.
 - EVLA12 emergency light(s) should be "OFF".
 - c. Press "Push-to-Test" indicating pushbutton switch and observe:
 - "Main Power ON" light should be "OFF".
 - EVLA12 emergency light(s) should be "ON".
4. Lock designated disconnect switch "ON" to prevent unauthorized persons from turning system "OFF".
5. Adjust EVLA12 emergency light(s) for the desired direction of illumination and lock into position using 1-5/8" open-ended wrench and torquing to 58 lb.-ft. See Figure 2.

NOTE

In Class II, Class III, and Simultaneous Presence locations, limit upward aiming of fixture to a maximum of 30° above horizontal. Greater upward aiming could lead to excessive dust build-up and dangerous overheating of the dust.

E. Remote Mounting EVLA12 Emergency Light Only

1. Attach the EVLA12 to a Cooper Crouse-Hinds EABC36 or EABL36 1" NPT outlet box.
2. Secure this assembly to the mounting surface with ¼ inch bolts or lag screws of the required length (not supplied).
3. Refer to Table 1 on page 6 for conductor recommendations.
4. Refer to Sections B for aiming adjustments and Section C for Conduit Connections and Wiring.

PERIODIC TESTING

Article 700 of the National Electrical Code states that, "Systems shall be tested periodically on a schedule acceptable to the authority having jurisdiction to assure their maintenance in proper operating condition." It also states that, "A written record shall be kept of such tests and maintenance."

In the absence of periodic testing requirements by a local authority, the following recommendations from the NFPA 101 (2003) Life Safety Code are strongly recommended:

1. **Monthly:** Operate "Push-to-Test" switch and keep depressed for a minimum of 30 seconds. Observe that emergency lighting fixtures are on full brightness for the full time. Record the test on the maintenance record card. Maintenance Record Card is provided in instruction sheet envelope.
2. **Annually:** Shut off power at the distribution panel. Verify that the emergency lighting fixtures remain "ON" for a minimum of 1-1/2 hours.

NOTE: Leave the designated disconnect switch "ON" during this test so that battery circuit is not interrupted. We suggest that this test be continued until the power supply automatically shuts the emergency light(s) off. This will help maintain full battery capacity.

Record the test on the Maintenance Record Card.

Allow 48 hours charging time before depending on the battery to operate at full capacity.

Failure to function properly in either test may indicate the need for battery or lamp replacement.

BATTERY REPLACEMENT

1. Turn "designated disconnect" switch to "OFF".
2. Remove ELPS50 power supply enclosure cover bolts and nuts, then lift off cover and carefully set it aside to prevent damage to the flat joint and flange gasket.

WARNING

To avoid explosion, do not damage the flat joint surfaces. Do not use hammers or prying tools to open covers. Do not handle covers roughly, or place them on surfaces that might damage or scratch the flat joint surfaces.

3. Disconnect the wire nut attaching black negative lead from the battery to battery plug, taking care not to touch the ground.
4. Disconnect the wire nut attaching red positive lead from the battery to ON/OFF selector switch.
5. Remove the four (4) screws that fasten the battery hold-down bracket to the mounting plate and loosen the retaining screw of one (1) of the battery stop brackets. Remove battery. Retain battery insulating sheet for use with replacement battery.

WARNING

To avoid potential explosion, do not short circuit the battery or connector terminals.

6. Cover replacement battery with insulating sheet and reinstall battery using hold-down bracket and four (4) screws previously removed. Re-tighten battery stop bracket screw. Reconnect black battery conductor and red conductor using wire nuts.

CAUTION

To avoid exposing battery terminals, insulating sheet must completely cover the battery.

WARNING

To avoid explosion, clean both flat joint surfaces of body and cover before closing. Dirt or foreign material must not accumulate on flat joint surfaces. Surfaces must seat fully against each other to provide a proper explosionproof seal.

7. Close cover and securely tighten all cover bolts and nuts to 30 ft.-lbs. torque making certain that no cover bolts are omitted. Use only bolts supplied with enclosure.
8. Turn ON supply power to the ELPS Light-Pak and turn ON the battery disconnect switch [S794 or S854] located next to the "Push-To-Test" button.
9. Test replacement battery following Step 4 of "D. Complete Installation."

WARNING

To avoid explosion:

1. Exercise care in handling cells/batteries in order to prevent shorting of the cell with conductive materials such as rings, bracelets, and keys. The cell or conductor may overheat and cause burns.
2. Do not dispose of the cell/battery in open flame; cells may burst.
3. Do not open or mutilate cell/battery. Opened cells may release corrosive electrolytes which may have harmful effects on the skin and eyes and may be toxic if ingested.

EXIT SIGN LAMP REPLACEMENT

For units with optional EXIT signs (suffix "-EXS" or "-EXD")

1. Remove the three (3) screws holding the EXIT sign to the fixture housing. Carefully remove the EXIT sign by sliding down and away from the light fixture assembly.
2. Loosen the screw that secures the locking tab. Lift tab and re-tighten screw to hold locking tab temporarily out of the way.
3. Unscrew globe assembly from fixture housing.
4. Remove lamp.
5. Perform cleaning and inspection as necessary.
6. Screw new lamp into lampholder and securely tighten lamp. New lamp must be identical type, size, and wattage as marked on the nameplate luminaire. The bulb for

the ELPS EXS Exit Sign (EVI and EVA) is a Candex 15 Watt, 12 Volt, A15 frosted bulb. The candex item number is A15-15F12V.

WARNING

To maintain explosionproof integrity, make sure all threads are fully engaged.

7. Slide locking tab into position so it engages one of the slots on the globe assembly. Tighten screw to secure locking tab.
8. Carefully slide EXIT sign back over globe assembly. Attach with three (3) screws removed in Step 1.

FIXTURE LAMP REPLACEMENT

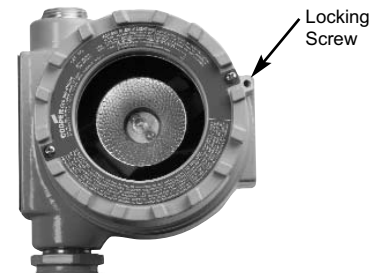


Figure 6.

CAUTION

To avoid shattering the lamp, protect lamp against scratches and abrasions. Wear protective eyeglasses and clothing when handling lamp. Always allow lamp to cool before removing. Dispose of lamp properly.

1. Turn OFF supply power to the ELPS Light-Pak and turn OFF the battery disconnect switch [S794 or S854] located next to the "Push-To-Test" button.
2. Loosen lens ring locking screw but do not remove. See Figure 6.
3. Remove lens by turning counter-clockwise until all threads are disengaged.
4. Pull lamp straight out of socket and discard.
5. Install replacement lamp, making sure that lamp is free of all fingerprints and soil.
Fixture Lamp: No. 789, Miniature, Tungsten Halogen,
G4, 2-pin, 14 watt.
6. Install lens ring by turning clockwise until threads are fully engaged.

All screw threads have been treated with a corrosion-resistant lubricant. Whenever disturbing threaded joints, re-lubricate the threads with Cooper Crouse-Hinds STL thread lubricant.

CAUTION

To avoid damaging threads during installation, exercise care to prevent grit, dirt, or other foreign material from lodging on threads. If such foreign material does settle on these threads, clean them with kerosene or Stoddard solvent**, then re-lubricate with STL thread lubricant.

**To avoid potential explosion, oxidation, and corrosion, do not use gasoline or similar solvents.

7. Tighten locking screw.
8. Turn ON supply power to the ELPS Light-Pak and turn ON the battery disconnect switch [S794 or S854] located next to the "Push-To-Test" button.
9. Test lamp following Step 4 of "D. Complete Installation."

PILOT LIGHT LAMP REPLACEMENT

1. Turn OFF supply power to the ELPS Light-Pak and turn OFF the battery disconnect switch [S794 or S854] located next to the "Push-To-Test" button.
2. Unscrew jewel assembly from pilot light.
3. Push lamp in, twist counter-clockwise, then remove lamp and discard.
4. Install replacement pilot light lamp.
Pilot Light : MB444WC1-2VF/N-DP 2V LED with miniature bayonet base*
5. Replace jewel assembly, securely tightening it onto barrel.
6. Turn "ON" designated disconnect switch.

* Available from Starled, Inc. (www.starled.com)

REPLACEMENT CIRCUIT BOARD & BATTERY KIT

ELPS-K50 KIT CONSISTS OF:

- (1) circuit board and charger assembly with mounting bracket
- (1) IF 1510-A instructions
- (1) sealed NiCad battery
- (1) 2 volt LED for pilot light
- (1) CID101 corrosion inhibitor device

This kit includes a new LED indicating lamp that gives a visual status of the unit. Details indicating LED logic is given below:

NOTE

ELPS Series Emergency Light Fixtures were redesigned in October, 2005. Previous models had circuit boards wired to normally closed contacts. This ELPS-K50 kit has a new circuit board that must be wired to normally open contacts. Older units used different style light fixture heads (see Figure 8 below).

	No Light	AC power is removed from circuit
•	Steady Light (No Blinks)	Fully charged
•	Light Blinks Once	Charging
• •	Light Blinks Twice	Battery failure
• • • •	Light Blinks Three Times	Circuit failure

Immediately after supply power is initiated, the indicating lamp will blink/pulse to indicate that the unit is charging. Once installed with supply power, the ELPS requires 72 hours to charge the battery. Once the unit has completed charging, the indicating light will stop blinking and go to steady. Every six months, the unit will automatically perform a 90-minute battery discharge test.

At the completion of the test, if it is determined not to have met the 90-minute requirement, the indicating lamp will display circuit failure (3 blinks). At any time, if the battery connection is not adequate, the indicating lamp will display a battery failure (2 blinks).

WARNING

To prevent injury from electric shock, all power must be removed from the fixture during maintenance.

WARNING

Even after disconnect, batteries will still be live. To prevent electrical shock and explosion, take extra care not to touch leads together or to ground.

IMPORTANT

A DESIGNATED DISCONNECT SWITCH IS REQUIRED FOR SAFETY, TO POWER THE ELPS502 EMERGENCY LIGHT SYSTEM AND CHARGE THE BATTERIES.

To avoid explosion, a designated disconnect switch with lock-in/lock-out capability is required for safe servicing of the completely wired unit. The lock-in/lock-out capability will prevent unauthorized opening of the circuit when the system should be functioning and to help prevent energizing of the system while it is being serviced, minimizing the possibility of arcing in the battery circuit while the enclosure is open in a hazardous (classified) area.

Units supplied with option S794 or option S854 already have a disconnect switch installed on the enclosure. Standard units require a remote disconnect switch. If the switch is also located in a hazardous area, you must install a Class I, Div. 1 rated switch. Use Cooper Crouse-Hinds EDS2129 or EDS2129GB (for Group B applications).

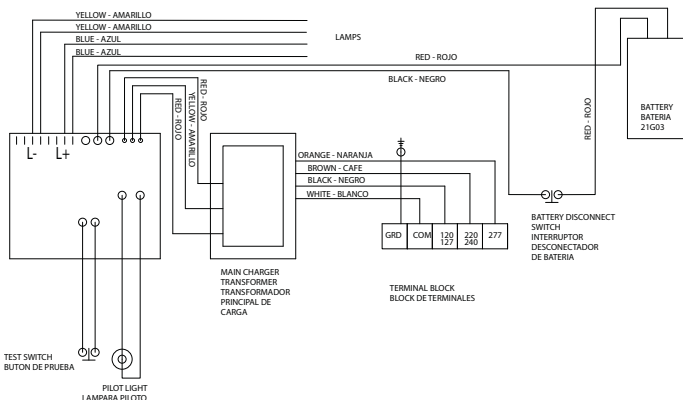


Figure 7. Wiring Diagram

MAINTENANCE

WARNING

To avoid explosion, always disconnect primary power source using designated disconnect switch before opening enclosure for inspection or service.

1. Conduct periodic testing in accordance with local authority and Periodic Testing section of these instructions.
2. Clean fixture lens and exterior surfaces periodically. We recommend every three (3) months or more frequently, if appropriate.
3. Frequent interior inspection should be made. A schedule for maintenance check should be determined by the environment and frequency of use. It is recommended that it should be at least once a year.
4. Perform visual, electrical, and mechanical checks on all components on a regular basis.
 - Visually check for undue heating evidenced by discoloration of wires or other components, damage or worn parts, or leakage evidence by water or corrosion in the interior.
 - Electrically check to make sure that all connections are clean and tight.
 - Mechanically check that all parts are properly assembled.
5. Do not attempt field replacement or repair of ELPS50 power supply cover gasket. Instead, remove damaged gasket and continue to use cover without gasket. This will assure safety for use in Class I and Class II hazardous (classified) locations. However, the enclosure will not be raintight.

CAUTION

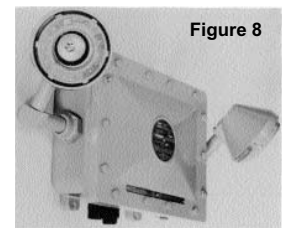
To avoid explosion, clean both flat joint surfaces of body and cover before closing. Dirt or foreign material must not accumulate on flat joint surfaces. Surfaces must seat fully against each other to provide a proper explosionproof seal.

BREATHER AND DRAIN

ELPS50 power supply enclose is provided with breather and drain. Refer to Installation and Maintenance Information IF 843 for inspection and maintenance instructions.

REMOVAL OF EXISTING CIRCUIT ASSEMBLY (For units made BEFORE October, 2005).

1. Disconnect branch AC power at circuit breaker and lockout.
2. Turn "designated disconnect" switch to "OFF".
3. After removing all AC and DC power to the fixture, remove all cover fasteners to gain access to the interior.



WARNING

To avoid explosion, do not damage the flat joint surfaces. Do not use hammers or prying tools to handle covers. Do not handle covers roughly, or place them on surfaces that might damage or scratch the flat joint surfaces.

4. Disconnect wire leads at the pilot light and switch.
5. Disconnect all incoming connections from terminals GRD through L-.
6. Remove the mounting stud and pillar located in the uppermost left corner of the interior. Remove the three (3) other hold down nuts and lock washers on the aluminum backplate. Remove the old interior assembly and set aside.
7. Install the new interior assembly using the three (3) remaining hold down nuts and lock washers removed from terminals L+ and L-.

- Replace the old incandescent lamp (or old LED) in the pilot light and replace with the new 2 volt LED supplied with the new interior assembly.
- Make all incoming wiring connections following the wiring diagram located in the new assembly (also see Figure 7) and reconnect the EVLA12 light fixture(s) or EXIT sign wire leads removed in Step 5.

NOTE

Older circuit boards are wired to normally closed contacts. Replacement circuit boards must be wired to normally open contacts.

- Install the CID101 corrosion inhibitor device included with kit by peeling back the protective covering to expose the adhesive. Install the CID101 in upper portion inside enclosure wall.

**REMOVAL OF EXISTING CIRCUIT ASSEMBLY
(For units made AFTER October, 2005).**

- Disconnect branch AC power at circuit breaker and lockout.
- Turn "designated disconnect" switch to "OFF".
- After removing all AC and DC power to the fixture, remove all cover fasteners to gain access to the interior.

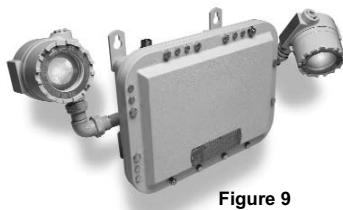


Figure 9

WARNING

To avoid explosion, do not damage the flat joint surfaces. Do not use hammers or prying tools to handle covers. Do not handle covers roughly, or place them on surfaces that might damage or scratch the flat joint surfaces.

- Disconnect wire leads at the pilot light and switch and remove the four (4) 1/4-20 screws and lock washers on the aluminum backplate. Remove the old interior assembly and set aside.
- Disconnect all incoming connections from the terminal block and terminals L+ and L- from the circuit board.
- For units made before September 2012, only disconnect all incoming connections from terminals GND through L-.
- Install the new interior assembly inside your existing enclosure using the same four (4) 1/4-20 screws and lock washers removed in Step 4.
- Replace the old incandescent lamp (or old LED) in the pilot light and replace with the new 2 volt LED supplied with the new interior assembly.
- Make all wiring connections following the wiring diagram located in the new assembly (also see Figure 1).
- Install the CID101 corrosion inhibitor device included with kit by peeling back the protective covering to expose the adhesive. Install the CID101 in upper portion inside enclosure wall.

CONNECT AC POWER AND TEST SYSTEM

- Test wiring for correctness with continuity checks and also for unwanted grounds with insulation resistance tester.
- Close cover and securely tighten all cover bolts and nuts to 30 ft.-lbs. torque, making certain that no cover bolts are omitted.
- Connect AC power and allow ELPS system to charge for 72 hours before conducting any tests. Do not disconnect AC power or depress the "Push-To-Test" button until the unit is fully charged. The LED indicator lamp will illuminate steadily (no blinking) when the ELPS is fully charged.
- Test the emergency lighting system for proper operation. Turn on the designated disconnect switch and observe: "Main Power ON" indicating light(s) should be "OFF" and the EVLA12 emergency light(s) should be "OFF".
- Press the "Push-To-Test" indicating pushbutton switch and observe: "Main Power ON" light should be "OFF" and the EVLA12 emergency light(s) should be "ON".
- Lock the designated disconnect switch "ON" to prevent unauthorized persons from turning system "OFF".

- Conduct periodic testing as outlined in Instruction Manual IF 1072 as supplied with the unit when originally installed.

Assistance may also be obtained through your local Crouse-Hinds Sales Representative or the Crouse-Hinds Service Center, P.O. Box 4999, Syracuse, NY 13221, Phone 315-477-5531.

Part Number

Interior Assembly ELPS K50

Place these instructions (in protective plastic envelope provided) in a safe, convenient location attached to or near the emergency lighting fixture.

TABLE 1

**Wire Sizing for Remote Installation
(for copper wire)**

Running Distance* (ft.) Between Power Supply and Remote Lighting Fixture

Ambient Temp. °C	25			40			55		
Lighting Fixture Load-Max. Watts	12	24	30	12	24	30	12	24	30
Wire Size									
• 14 AWG	125	63	50	117	58	47	109	55	44
• 12 AWG	198	99	79	185	92	74	173	87	69
• 10 AWG	317	158	127	295	148	118	276	138	110
• 8 AWG	505	253	202	471	235	188	440	220	176

Maximum distance to limit line voltage drop to 5%.

TIME DELAY FEATURE

ELPS Emergency Lighting Systems are equipped with a time delay feature. This feature will allow the emergency lighting fixture to remain lit after restoration of power. The time delay is preset at the factory providing emergency lighting illumination for approximately 15 minutes and then automatically reverts back to a normal charging mode.

TROUBLESHOOTING GUIDE

SYMPTOM	SOLUTION
1. LED does not light	1a. Verify power to fixture. 1b. Verify LED is fully seated in socket. 1c. Verify bulb is good. 1d. Verify transformer is properly connected to circuit board.
2. LED is blinking twice	2. Verify battery is properly connected to circuit board.
3. After 72 hours, unit is not fully charged (LED steady) and lamp heads flash	3. Remove leads from pushbutton N/C contacts and terminate the leads on the N/O contacts.
4. LED is blinking three times	4. Verify battery voltage under no load is 13.0V or higher after 72 hour charge. If less than 13.0V consult factory for battery replacement. If more than 13 volts, consult factory for complete interior replacement as transformer and/or circuit board could be responsible.

PRODUITS D'ÉCLAIRAGE DE SÉCURITÉ SYSTÈME ELPS502 (M05), SYSTÈME ELPS502(M05)

EXS/EXD, BLOC D'ALIMENTATION ELPS50(M05), LUMINAIRE EVLA12

Directives d'installation et d'entretien

IF 1510

CONSERVER LES PRÉSENTES DIRECTIVES POUR RÉFÉRENCE ULTÉRIEURE

APPLICATION

Le système d'éclairage de sécurité ELPS502, modèle no M05, est conçu pour illuminer automatiquement des zones désignées en cas de panne électrique ou d'une interruption de l'alimentation au système d'éclairage normal. Le système ELPS502 est assemblé et câblé en usine et comprend le bloc d'alimentation ELPS50 et deux luminaires EVLA.

Lorsque correctement installés, les systèmes ELPS d'éclairage de sécurité étanches à l'eau qui suivent sont classifiés UL et cUL pour une utilisation dans :

- Bloc d'alimentation ELPS50 - Class I, Division 1, groupes B, C et D
- ELPS502 - Class I, Division 1, groupes B, C et D

L'enseigne de sortie n'est pas classifiée UL ou cUL

- ELPS502 (EXS/EXD) - Class I, Division 1 & 2, groupes C et D (groupe B si commandé avec le suffixe GB)

Tous les systèmes d'éclairage de sécurité ELPS conviennent pour une utilisation de classe II, division 1, groupes E, F et G et dans les milieux classifiés dangereux en présence de ces classes comme définis par le Code national de l'électricité® (NEC).

Le bloc d'alimentation ELPS50 est alimenté par pile et comporte un système de recharge de la pile logé à l'intérieur d'un boîtier conforme à une utilisation dans un secteur dangereux. En cas de panne électrique, tous les circuits actionneront automatiquement le ou les luminaires de sécurité (courant continu). Une lampe témoin indique l'utilisation normale de l'alimentation secteur de l'appareil. Les essais réguliers de l'appareil s'effectuent au moyen d'un bouton poussoir " Push-To-Test ".

L'interprétation de la logique de fonctionnement de la DEL est fournit ci-dessous.

- | | |
|-------------------------------------|--|
| • DEL éteinte | Aucune alimentation secteur au circuit |
| • DEL illuminé (sans clignotements) | Charge complète |
| • - - Un seul clignotement | En mode de charge |
| • - - - Deux clignotements | Défaillance de la pile |
| • - - - - Trois clignotements | Défaillance du circuit |

Immédiatement après la remise en service de l'alimentation, la lampe témoin clignotera pour indiquer le mode de charge de la pile de l'appareil. Lors de son raccordement au bloc d'alimentation, l'appareil ELPS exige 72 heures pour charger complètement la pile. Une fois à pleine charge, la lampe témoin cessera de clignoter et demeurera illuminée. À tous les six mois, l'appareil effectuera un essai automatique de décharge de la pile d'une durée de 90 minutes.

Si l'appareil ne réussit pas à illuminer pour la période requise de 90 minutes, la lampe témoin indiquera une défaillance du circuit (trois (3) clignotements) à la fin de l'essai. Si une défaillance à la connexion de la pile est détectée à un moment donné, la lampe témoin indiquera une défaillance de la pile (deux (2) clignotements).

Le luminaire EVLA12 est un module scellé en usine qui contient une seule ampoule halogène/réflecteur. Les enseignes de sortie ELPSEVI et ELPS EVA GB sont scellées en usine avec une seule source d'illumination incandescente. Les ampoules sont fournies avec tous les luminaires.

Le luminaire EVLA12 convient aux emplacements de normes NEMA 4X lorsque installé à distance (n'utilise pas un bloc d'alimentation ELPS) et fourni avec un reniflard/purge.



CLASSIFICATION

Bloc d'alimentation ELPS50 :

Alimentation	-120, 220/240 et 277 volts, secteur \pm 5%, 50 ou 60 Hz
	-Maximum de 0,5 A
Sortie	-12 volts, c.c., 2,5 A
	-28 watts pour 1-1/2 heures (ELPS502)
	-29 watts pour 1-1/2 heures (ELPS502 EXS/EXD)
Temp. ambiante :	-0 °C à 40 °C

Luminaires

	EVLA12	ELPS EVI/ELPS EVA GB
Alimentation	-12 V c.c.	-12 V c.c.
Temp. ambiante	-Maximum de 55 °C	-40°C maximum
Temp. fonctionnement Code	-Classe I - T 4; -Classe II, III - T3C -Plusieurs classes en mm temps - T3C	-Classe I - T 4 -Classe II, III - T3C

REMARQUE : pour maximiser la durée de fonctionnement du bloc d'alimentation ELPS50, les paramètres de température ambiante vont de 0°C à 40°C. Les luminaires EVLA12 supportent des températures ambiantes plus élevées jusqu'à concurrence de 55 °C pour un plus grand éventail de produit pour une utilisation dans des endroits éloignés.

NOTEZ : l'Unité vient la norme avec un retard de temps de 15 minute pour se plier à NEC 700.16 pour l'illumination CACHÉE.

⚠ IMPORTANT

Seul du personnel qualifié et compétent peut effectuer l'installation, l'examen, les réparations et mettre le système d'éclairage de sécurité en fonction.

⚠ AVERTISSEMENT

Pour éviter toute blessure corporelle, décharge électrique et défaillance du système :

1. Ne pas utiliser ce système pour un usage autre que celui pour lequel il est conçu.
2. Ne pas utiliser de matériel accessoire non recommandé par le fabricant.
3. L'alimentation électrique doit être COUPÉE avant et pendant l'installation et l'entretien.
4. Le système devrait être installé dans des endroits et à des hauteurs qui rendent difficiles des altérations par du personnel non autorisé.
5. Ne pas installer près de matériel qui génère de la chaleur.
6. Dans les secteurs de classe I, installer et sceller tout le système en conformité avec les dispositions relatives aux Emplacements classifiés dangereux du Code national de l'électricité ainsi qu'à tout autre code applicable en vigueur.
7. Installer uniquement des systèmes de câblage qui disposent d'un conducteur de mise à la terre d'équipement (qui peut être le système de conduite) pour alimenter l'ELPS.
8. Pour garantir la sécurité de l'opérateur lors d'entretien et de réparations, installer deux interrupteurs-sectionneurs unipolaires désignés pour déconnecter le circuit de la pile et le circuit d'alimentation.
9. Avant d'effectuer le câblage, la zone d'installation doit être exempte de toutes vapeurs dangereuses.
10. Respecter toutes les directives de sécurité pour la manipulation de la pile décrites dans les présentes.
11. Interdire l'utilisation de marteaux ou de leviers qui risqueraient d'endommager les surfaces planes de joint du boîtier du bloc d'alimentation ELPS50. Ne pas manipuler brusquement les couvercles ni les déposer sur des surfaces qui risquent d'endommager ou d'égratigner les surfaces planes de joint.
12. Pour prévenir les éclatements : lors de l'utilisation de l'ampoule, ne pas excéder la tension nominale de l'ampoule; la protéger contre l'abrasion et les égratignures ainsi que contre les liquides. Éliminer correctement l'ampoule.

Le Code national de l'électricité® (National Electrical Code®) est une marque de commerce déposée de la National Fire Protection Association.

INSTALLATION

A. Installation du système ELPS502 ou du bloc d'alimentation ELPS50

⚠ AVERTISSEMENT

Pour éviter toute décharge électrique, l'alimentation doit être COUPÉE avant et pendant l'installation et l'entretien.

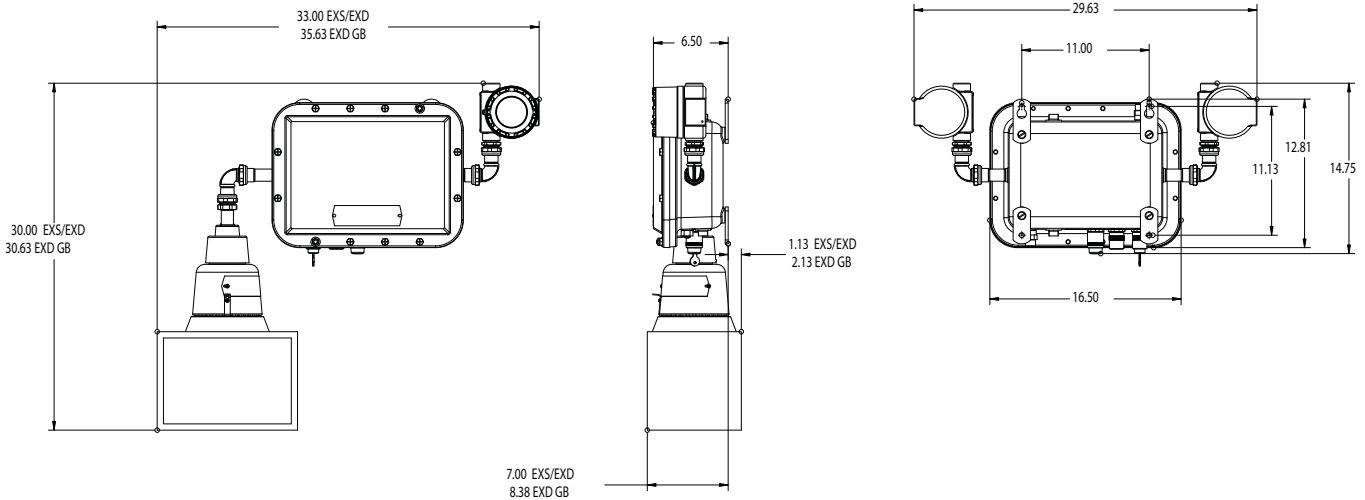


Figure 1. Dimensions du ELPS502 et du ELPS502 EXS / EXD

1. Sélectionner un emplacement convenable pour le montage du bloc d'alimentation et des luminaires associés qui soit suffisamment solide et rigide pour les supporter. La figure 1 illustre les dimensions globales et les dimensions assemblées pour les quatre types de fixation.

Poids :	Système ELPS502	50 lb (22,6 kg)
	Système ELPS502 EXS/EXD	60 lb (27,2 kg)
	Bloc d'alimentation ELSP50	40 lb (18,1 kg)
	Luminaire EVLA12	5 lb (2,26 kg)

2. Fixer solidement le boîtier à l'emplacement sélectionné avec des boulons ou des vis de 3/8 po.

⚠ IMPORTANT

Position d'assemblage recommandé : la paroi arrière du boîtier est fixée à une surface verticale avec la lampe témoin et le bouton poussoir "Push-To-Test" situés au bas du boîtier.

⚠ REMARQUE

Veillez installer un raccord scellant de classe I, division 1 à moins de 18 po (45,7 cm) de la conduite d'entrée du boîtier ELPS. Utiliser le produit de jointoiment Chico A ou Chico SpeedSeal pour sceller la conduite d'entrée.

3. Retirer les boulons du couvercle et écrous des deux goujons puis soulever le couvercle et le mettre soigneusement de côté pour empêcher tout dommage au joint plat et à la garniture de la bride.

REMARQUE : les appareils ELPS sont munis de deux goujons insérés dans deux coins diamétralement opposés du corps du boîtier pour aider à positionner le couvercle. Ne pas retirer ces goujons.

4. Pour la fixation ou le réglage des luminaires EVLA, poursuivre à la section B.

⚠ MISE EN GARDE

Pour éviter d'endommager les surfaces planes de joint, ne pas utiliser de marteaux ou de leviers pour ouvrir les couvercles. Ne pas manipuler brusquement les couvercles ni les déposer sur des surfaces qui risquent d'endommager ou d'égratigner les surfaces planes de joint.

B. Fixation et réglage du ou des luminaires EVLA12

REMARQUE : les luminaires sont déjà fixés à l'appareil ELPS502. Poursuivre à l'étape 5 pour les régler.

⚠ MISE EN GARDE

Le réglage de la tête et du bras du luminaire EVLA est limité à une rotation d'au plus 180°. Le non respect de ces limites endommagera le câblage interne.

1. Retirer le ou les capuchons de tuyau des trous coniques filetés NPT de 1 po, logés sur les côtés du boîtier du bloc d'alimentation du ELPS50, qui recevront les luminaires EVLA12.

REMARQUE : les luminaires EVLA installés à distance peuvent être fixés à un boîtier de branchement convenable comme le modèle EABT36, EABL36 ou EABC36 de Crouse-Hinds qui fournit un emboîtement de 1 po (2,5 cm) pour la fixation du luminaire.

⚠ IMPORTANT

Il est indispensable d'insérer des cales entre le boîtier de branchement et la surface de fixation pour assurer un dégagement adéquat qui permettra la rotation de l'emboîtement du luminaire au cours de l'installation. Un dégagement de 11/8 po (34,9 mm) est requis entre la conduite centrale de l'emboîtement de fixation et la paroi de la surface de fixation.

2. Visser le module du luminaire dans le corps du boîtier. S'assurer que le raccord réducteur soit bien vissé dans le corps d'au moins cinq filets complets.

3. Avec une clé de 1-5/8 po, desserrer l'écrou "A", positionner la tête du luminaire dans la position verticale voulue et resserrer l'écrou à un couple de 58 lb-pi.

4. Utiliser la même clé de 1-5/8 po, desserrer l'écrou "B" et positionner la tête du luminaire dans la position horizontale voulue. S'assurer de resserrer l'écrou "B" à un couple de 58 lb-pi.

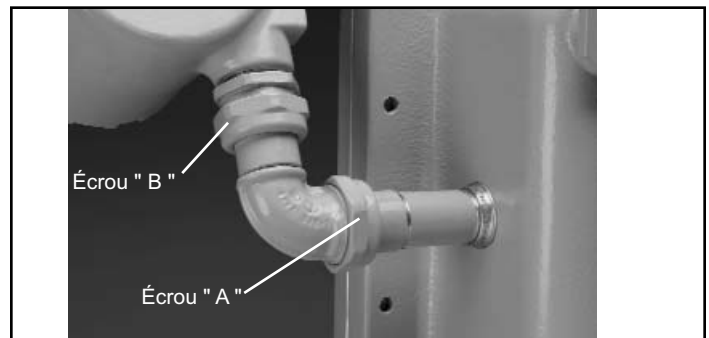


Figure 2. Luminaire EVLA

REMARQUE

Dans les emplacements de classe I, classe II et présence simultanée de ces classes, limiter la visée ascendante du luminaire à un maximum de 30 degrés au-dessus de l'horizontal. Une inclinaison plus prononcée pourrait favoriser l'accumulation excessive de poussières et une surchauffe dangereuse de cette poussière.

5. Répéter ces étapes dans le cas de l'installation d'un deuxième luminaire EVLA12 sur le boîtier du bloc d'alimentation ELPS50.
6. Poursuivre à la section C pour les directives relatives au raccord de conduite et au câblage.

C. Raccord de conduite et câblage

- 1a. Relier le boîtier au réseau de conduite correctement mis à la terre. Insérer des raccords avec produit de jointoiement comme exigé dans la disposition 501.15 et, le cas échéant, la disposition 052.15 du Code national de l'électricité ainsi que dans tous articles d'autres codes applicables.
- 1b. Dans le cas de l'utilisation d'un câble, prévoir l'installation d'un raccord scellant pour câble comme l'exige la disposition 501.15 du Code national de l'électricité et tous autres codes applicables.

REMARQUE : se reporter à l'étape 2b, s'assurer que le boîtier pour les interrupteurs-sectionneurs désignés soit installé dans le système.

AVERTISSEMENT

- Pour éviter toute explosion, toutes les ouvertures de conduites non utilisées devront être bouchées. Visser au moins cinq (5) filets complets du capuchon. Utiliser le capuchon PLG fourni avec l'appareil.
- Pour maintenir l'intégralité de la fonction antidéflagrante, les raccords scellant des conduites DOIVENT être installés sur chaque conduite fixée (à moins de 18 po (45,7 cm) du boîtier du bloc d'alimentation ELPS50 dans les emplacements de classe I).
- Pour maintenir l'intégralité de la fonction antidéflagrante dans les secteurs de classe I, des raccords scellant de conduite sont exigés à toutes les entrées de conduite (à moins de 18 po (45,7 cm) du boîtier du bloc d'alimentation ELPS50) pour tous les luminaires d'éclairage de sécurité installés à distance.

2. Effectuer toutes les connexions de câblage selon de schéma de câblage apposé sur le support de la pile du bloc d'alimentation.

REMARQUE : il est possible de retirer le module interne pour faciliter le passage du câblage même si cette étape n'est pas normalement requise. Retirer les quatre (4) vis de ¼ po-20 et les rondelles de blocage. Débrancher les fils de la lampe témoin et de l'interrupteur. NE PAS manipuler brusquement le module interne ni le déposer à un endroit où la saleté, la poussière ou la salissure risquera de l'endommager. Le remettre en position dès que le câblage ait été passé dans le boîtier.

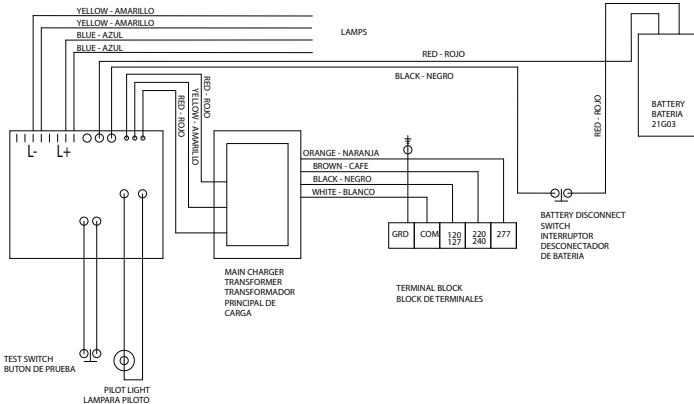


Figure 3. Schéma de câblage

AVERTISSEMENT

- Pour empêcher toute explosion ou blessure corporelle, l'intégralité de l'alimentation doit être COUPÉE avant et pendant l'installation et l'entretien et la zone d'installation doit être exempte de tous gaz, vapeurs ou brouillards dangereux.

REMARQUE : dans le cas de l'installation d'un bloc d'alimentation ELPS50, la connexion des fils d'alimentation du luminaire est déjà prête. Poursuivre à l'étape 2b.

- 2a. Connectez l'alimentation des appareils d'éclairage EVLA12 menant aux fentes L+ et L-. Reportez-vous aux figures 3 et 4.
- 2b. Brancher l'alimentation secteur entrante de 120, 220/240 ou 277 volts, 50 ou 60 Hz, du circuit de la pile de l'éclairage de sécurité à un interrupteur-sectionneur désigné.

REMARQUE : en conformité à la disposition 300.3(C) du NEC, la classification de l'isolant des conducteurs de 12 volts doit être égale à celle des fils d'alimentation de la tension la plus élevée.

Important: POUR UNE INSTALLATION DU ELPS CORRECTE ET SON BON FONCTIONNEMENT, IL EST IMPRESCRIPTIBLE D'INSTALLER UN INTERRUPTEUR-SECTIONNEUR DÉSIGNÉ. SI CE DERNIER EST INSTALLÉ DANS LE SECTEUR DANGEREUX, IL EST IMPRESCRIPTIBLE D'INSTALLER UN INTERRUPTEUR-SECTIONNEUR PRÉVU POUR LA CLASSE I, DIVISION 1. UTILISER LE MODÈLE EDS2129 PI EDS2129GB DE CROUSE-HINDS POUR LES APPLICATIONS DE GROUPES B. (consulter l'avertissement ci-dessous)

Il est possible de livrer cet interrupteur-sectionneur désigné en tant qu'élément du système d'éclairage de sécurité ELPS502 (option S794 ou S854).

Option S794 - interrupteur-sectionneur désigné à bascule en tant qu'élément du système d'éclairage de sécurité ELPS502. Consulter l'étape 2b ci-dessous pour poursuivre le câblage de l'alimentation.

Option S854 - interrupteur-sectionneur désigné sans bascule en tant qu'élément du système d'éclairage de sécurité ELPS502. Consulter l'étape 2c ci-dessous pour poursuivre le câblage de l'alimentation.

EDS2129 (EDS2129GB pour les applications de groupe B) - interrupteur-sectionneur désigné pour installation à distance (non fourni). Installer selon les directives fournies avec l'interrupteur-sectionneur EDS2129(GB). Relier aux bornes 8 et 9. Consulter l'étape 2c pour poursuivre le câblage de l'alimentation.

AVERTISSEMENT

- Pour empêcher une explosion, un interrupteur-sectionneur désigné avec fonction de verrouillage est requis pour effectuer des réparations de forme sécuritaire sur l'appareil entièrement câblé. La fonction de verrouillage aidera à empêcher une ouverture non autorisée du circuit lors du fonctionnement de l'appareil. Elle aide à couper l'alimentation au système lors de réparations minimisant ainsi la production d'arc dans le circuit de la pile lorsque le boîtier est ouvert dans un milieu classifié dangereux.
- Pour empêcher une explosion, l'interrupteur-sectionneur désigné, EDS2129 de Crouse-Hinds (EDS2129GB pour les applications de groupe B) doit convenir à une utilisation dans l'emplacement dangereux où il sera installé.

- 2c. Relier l'alimentation secteur primaire de 120 volts (par l'entremise de l'interrupteur-sectionneur) à la borne 120. Relier l'alimentation secteur primaire de 220/240 volts (par l'entremise de l'interrupteur-sectionneur) à la borne 220/240. Relier l'alimentation secteur primaire de 277 volts (par l'entremise de l'interrupteur-sectionneur) à la borne 277. Relier le câble neutre à la borne COM. Relier tous les conducteurs de mise à la terre du matériel à la borne GRD. Relier le connecteur de la pile à la carte de circuits imprimés. Vérifier si le connecteur du transformateur est également relié à la carte de circuits imprimés.

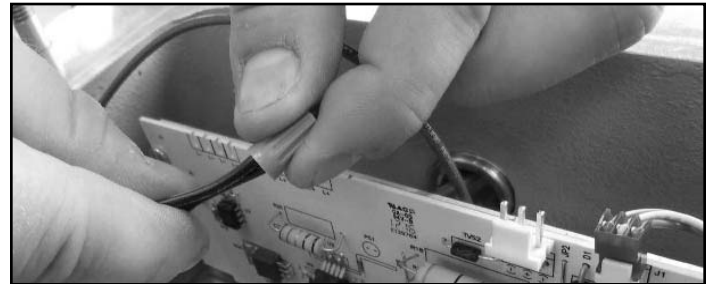


Figure 4.

AVERTISSEMENT

Pour éviter les décharges électriques, utiliser le luminaire uniquement avec des systèmes dotés d'un conducteur de mise à la terre d'équipement.

REMARQUE

Avant d'effectuer tout essai, laisser l'appareil se charger pour une période de 72 heures. Ne pas débrancher l'alimentation secteur avant que l'appareil soit à pleine charge.

3. Exécuter des contrôles de continuité pour vérifier si le câblage est correct. Utiliser un dispositif de mesure de la résistance d'isolement pour vérifier la présence de mise à la terre indésirable.
4. Avant un essai quelconque du fonctionnement d'urgence des luminaires, laisser l'ELPS se charger sur secteur pour une période de 72 heures.

D. Achèvement de l'installation

1. Coller le dispositif inhibiteur de corrosion CID101 (fourni comme pièce avec l'ELPS50). On recommande de le coller sur la paroi inférieure entre la lampe témoin du " Main Power On " (alimentation principale présente) et le trou conique NPT de 1 po. Se reporter aux directives du CID101 pour l'installation.

MISE EN GARDE

Pour éviter une explosion, nettoyer les surfaces planes de joint du corps et du couvercle du boîtier avant de le refermer. Éviter l'accumulation de poussière ou de matière étrangère sur les surfaces planes de joint. Le contact entre les deux surfaces doit être complet pour garantir un joint antidéflagrant adéquat.



Figure 5. Commandes du ELPS50

2. Refermer le couvercle et serrer solidement tous les boulons et écrous du couvercle à un couple de 30 pi-lb. S'assurer de ne pas oublier un boulon. Utiliser uniquement les boulons fournis avec le boîtier.

REMARQUE : les appareils ELPS sont munis de deux goujons insérés dans deux coins diamétralement opposés du corps du boîtier pour aider à positionner le couvercle.

REMARQUE

Veillez installer un raccord scellant de classe I, division 1 à moins de 18 po (45,7 cm) de la conduite d'entrée du boîtier ELPS. Utiliser le produit de jointoiment Chico A ou Chico SpeedSeal pour sceller la conduite d'entrée.

NE PAS enfoncer le bouton poussoir " Push-To-Test " avant que l'ELPS n'ait complété les 72 heures de charge initiale sur secteur. Pour atteindre sa pleine charge, la pile d'urgence exige 72 heures. La lampe témoin cessera de pulser et s'illuminera pour indiquer que l'ELPS est à pleine charge.

3. Tester le bon fonctionnement du système d'éclairage de sécurité comme suit :
 - a. Mettre l'interrupteur-sectionneur désigné sous tension.
 - b. Enclencher l'interrupteur-sectionneur désigné et observer :
 - La lampe témoin " Main Power On " devrait fonctionner.
 - L'éclairage de sécurité EVLA12 devrait être ÉTEINT.
 - c. Enfoncez le bouton poussoir indicateur " Push-To-Test " et observez :
 - La lampe " Main Power On " devrait être ÉTEINTE.
 - L'éclairage de sécurité EVLA12 devrait FONCTIONNER.
4. Verrouiller l'interrupteur-sectionneur désigné en position " ON " (marche) pour empêcher la coupure d'alimentation du système par des personnes non autorisées.
5. Régler l'éclairage de sécurité EVLA12 dans la direction voulue pour illuminer le secteur en question et le verrouiller en position avec une clé à fourche de 1-5/8 po. Serrer à un couple de 58 lb-pi. Consulter la figure 2.

REMARQUE

Dans les emplacements de classe I, classe II et présence simultanée de ces classes, limiter la visée ascendante du luminaire à un maximum de 30 degrés au-dessus de l'horizontal. Une inclinaison plus prononcée pourrait favoriser l'accumulation excessive de poussières et une surchauffe dangereuse de cette poussière.

E. Fixation à distance de l'éclairage de sécurité EVL12 uniquement

1. Fixer l'EVLA12 à une boîte à prises NPT de 1 po EABC36 ou EABL36 de Crouse-Hinds.
2. Fixer solidement cet ensemble à la surface de montage avec des boulons ou des tirefonds de ¼ po de la longueur requise (non fournis).
3. Se reporter au tableau 1 en page 6 pour les recommandations pertinentes au conducteur.
4. Se reporter à la section B pour le réglage de la visée d'éclairage et à la section C pour les Raccords de conduite et câblage.

ESSAI RÉGULIER

La disposition 700 du Code national de l'électricité (NEC) stipule que les " systèmes devraient être testés régulièrement, selon un programme acceptable par les autorités qui ont juridiction, pour assurer un bon état de fonctionnement continuels ". Elle précise également qu'un " registre (par écrit) de ces essais et entretiens devrait être tenu ".

En l'absence de spécifications locales pour les essais réguliers, on recommande fortement de respecter les recommandations du NFPA 101 (2003) Life Safety Code (code de sécurité de l'association américaine nationale de protection contre les incendies) :

1. **Mensuellement** : Enfoncez le bouton poussoir " Push-To-Test " pour un minimum de 30 secondes. Remarque que les luminaires d'éclairage de sécurité fonctionnent à pleine puissance pour toute la durée de l'essai. Enregistrer l'essai sur la fiche d'entretien. La fiche d'entretien est fournie et insérée dans l'enveloppe de la feuille de directives.
2. **Annuellement** : Couper l'alimentation au panneau de distribution. Vérifier si les luminaires d'éclairage de sécurité fonctionnent pour une période minimale de 1,5 heures.

REMARQUE : laisser l'interrupteur-sectionneur désigné actif au cours de cet essai de sorte que le circuit de la pile ne souffre aucune interruption. Nous suggérons de poursuivre l'essai jusqu'à épuisement de l'alimentation (mise hors tension automatique) de l'éclairage de sécurité. Une telle pratique aidera à maintenir la pile à pleine capacité.

Enregistrer l'essai sur la fiche d'entretien.

Laisser la pile se charger pendant une période de 48 heures avant que l'appareil ne puisse fonctionner à pleine capacité.

Une défaillance dans un essai ou l'autre pourrait indiquer le besoin de remplacer la pile ou l'ampoule.

REPLACEMENT DE LA PILE

1. Désactiver l'interrupteur-sectionneur désigné.
2. Retirer les boulons du couvercle et écrous du boîtier du bloc d'alimentation ELPS50 puis soulever le couvercle et le mettre soigneusement de côté pour empêcher tout dommage au joint plat et à la garniture de la bride.

⚠ AVERTISSEMENT

Pour éviter une explosion, ne pas endommager les surfaces planes de joint. Ne pas utiliser de marteaux ou de leviers pour ouvrir les couvercles. Ne pas manipuler brusquement les couvercles ni les déposer sur des surfaces qui risquent d'endommager ou d'égratigner les surfaces planes de joint.

3. Débranchez le connecteur de fils retenant le fil noir négatif de la pile au connecteur de la pile, en prenant soin de ne pas toucher à la mise à la terre.
4. Débranchez le connecteur de fils retenant le fil rouge fil positif de la pile au commutateur de sélection MARCHE/ARRÊT.
5. Retirer les quatre vis qui fixent le support de fixation de la pile à la plaque d'assemblage et desserrer la vis de fixation de l'un des supports de butée de la pile. Retirer la pile. Conserver la feuille isolante de la pile pour l'utiliser de nouveau avec la pile de rechange.

⚠ AVERTISSEMENT

Pour éviter une explosion potentielle, ne pas mettre la pile ou les connecteurs de borne en court circuit.

6. Couvrir la pile de rechange dans la feuille isolante et réinsérer la pile avec le support de fixation et les quatre vis retirées antérieurement. Resserrer la vis du support de butée de la pile. Rebranchez conducteur noir de la batterie et le conducteur rouge à l'aide des connecteurs de fils.

⚠ MISE EN GARDE

Pour éviter d'exposer les bornes de la pile, la feuille isolante doit recouvrir complètement la pile.

⚠ AVERTISSEMENT

Pour éviter une explosion, nettoyer les surfaces planes de joint du corps et du couvercle du boîtier avant de le refermer. Éviter l'accumulation de poussière ou de matière étrangère sur les surfaces planes de joint. Le contact entre les deux surfaces doit être complet pour garantir un joint antidéflagrant adéquat.

7. Refermer le couvercle et serrer solidement tous les boulons et écrous du couvercle à un couple de 30 pi-lb. S'assurer de ne pas oublier un boulon. Utiliser uniquement les boulons fournis avec le boîtier.
8. Réactionner l'alimentation du ELPS Light-Pak et réenclencher l'interrupteur-sectionneur désigné du circuit de la pile [S794 ou S854] logé à côté du bouton poussoir " Push-To-Test ".
9. Tester la pile de rechange selon l'étape 4 de la rubrique " D. Achèvement de l'installation ".

⚠ AVERTISSEMENT

Pour prévenir les explosions :

1. Être prudent lors de la manipulation de cellules/piles afin d'empêcher un court circuit de la cellule avec une matière conductrice comme des bagues, bracelets et clés. La cellule ou le conducteur pourrait surchauffer et provoquer des brûlures.
2. Ne pas jeter la cellule/pile sur une flamme nue. En effet, les cellules risquent d'exploser.
3. Ne pas ouvrir ou abîmer une cellule/pile. Les cellules ouvertes pourraient laisser couler des électrolytes corrosifs qui auraient un effet nocif sur la peau et les yeux et un effet toxique si ingéré.

REPLACEMENT DE L'AMPOULE DE L'ENSEIGNE DE SORTIE

Pour les appareils munis d'enseignes de SORTIE en option (suffixe " -EXS " ou " -EXD ")

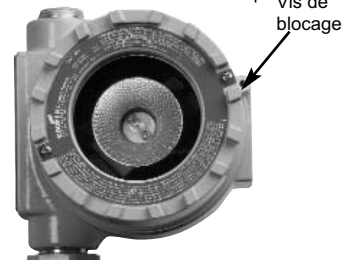
1. Retirer les trois vis qui fixent l'enseigne de SORTIE au boîtier du luminaire. Retirer soigneusement l'enseigne de SORTIE en la glissant vers le bas et l'éloignant du module du luminaire.
2. Desserrer la vis qui fixe solidement la languette de verrouillage. Soulever la languette et resserrer la vis pour tenir la languette temporairement éloignée.
3. Dévisser le module de l'ampoule du boîtier du luminaire.
4. Retirer l'ampoule.
5. Nettoyer et examiner le module, le cas échéant.
6. Insérer une ampoule neuve dans la douille et la visser solidement. L'ampoule neuve doit être de même type, dimension et puissance comme inscrit sur la plaque signalétique du luminaire. L'ampoule pour l'enseigne de sortie ELPS EXS (EVI et EVA)

est une ampoule givrée Candex de 15 watts, 12 volts et 15 A. Le numéro d'article de l'ampoule Candex est le A15-15F12V.

⚠ AVERTISSEMENT

Pour maintenir l'intégrité de la caractéristique antidéflagrante, s'assurer que tous les filets sont complètement vissés.

7. Coulisser la languette de verrouillage en position de sorte qu'elle s'enclenche dans une des rainures du module de l'ampoule. Serrer la vis pour fixer solidement la languette de verrouillage.
8. Coulisser soigneusement l'enseigne de SORTIE sur le module de l'ampoule avec les trois vis retirées à l'étape 1.



REPLACEMENT DE L'AMPOULE DU LUMINAIRE

Figure 6.

⚠ MISE EN GARDE

Pour prévenir l'éclatement de l'ampoule, la protéger contre les égratignures et les abrasions. Porter des lunettes et des vêtements protecteurs lors de la manipulation de l'ampoule. Laisser toujours l'ampoule refroidir avant de la retirer. Éliminer correctement l'ampoule.

1. Couper l'alimentation du ELPS Light-Pak et désactiver l'interrupteur-sectionneur du circuit de la pile [S794 ou S854] logé à côté du bouton poussoir " Push-To-Test ".
2. Desserrer la vis de blocage de l'anneau de la lentille sans toutefois la retirer. Consulter la figure 6.
3. Pour retirer la lentille, la tourner dans le sens antihoraire jusqu'au dégage complet du filetage.
4. Tirer droit sur l'ampoule pour la dégager de la douille. La jeter.
5. Insérer l'ampoule de rechange. S'assurer que l'ampoule est exempte de toute trace de doigt et de salissures.

Ampoule du luminaire : no 789, miniature, tungstène-halogène, G4, 2 broches, 14 watts.

6. Réinsérer l'anneau de la lentille. La tourner dans le sens horaire pour visser complètement tout le filetage.
- Tous les filets de la vis ont été enduits d'un lubrifiant résistant à la corrosion. Dès qu'un joint fileté est manipulé, lubrifier de nouveau le filetage avec le lubrifiant pour filetage STL Crouse-Hinds.

⚠ MISE EN GARDE

Pour éviter d'endommager les filets au cours de l'installation, être prudent et éviter que de la grenaille, de la saleté ou d'autre matière étrangère ne se loge dans le filetage. Dans cette éventualité, nettoyer le filetage avec du kérosène ou le solvant Stoddar** puis lubrifier de nouveau avec le lubrifiant pour filetage STL.

**Pour éviter une explosion, oxydation et corrosion potentielles, ne pas utiliser de l'essence ou des solvants de même nature.

- 7 Serrer la vis de blocage.
8. Réactionner l'alimentation du ELPS Light-Pak et réenclencher l'interrupteur-sectionneur du circuit de la pile [S794 ou S854] logé à côté du bouton poussoir " Push-To-Test ".
9. Tester l'ampoule selon l'étape 4 de la rubrique " D. Achèvement de l'installation ".

REPLACEMENT DE L'AMPOULE DE LA LAMPE TÉMOIN

1. Couper l'alimentation du ELPS Light-Pak et désactiver l'interrupteur-sectionneur du circuit de la pile [S794 ou S854] logé à côté du bouton poussoir " Push-To-Test ".
 2. Dévisser le module en cristal de la lampe témoin.
 3. Enfoncer l'ampoule, la tourner dans le sens antihoraire puis la retirer et la jeter.
 4. Insérer l'ampoule de rechange de la lampe témoin.
- Lampe témoin : DEL MB444WC1-2VF/N-DP 2V avec culot miniature à baïonnette*
5. Remettre le module de cristal en position. Le serrer solidement dans le cylindre.
 6. Actionner l'interrupteur-sectionneur désigné.

* Offert par Starled, Inc. (www.starled.com)

TROUSSE DE PIÈCES DE RECHANGE POUR CARTE DE CIRCUITS IMPRIMÉS ET PILE

LA TROUSSE ELPS-K50 COMPREND :

- (1) Module avec carte de circuits imprimés et chargeur avec support de fixation
- (1) Directives pour le modèle IF-1510-A
- (1) Pile scellée au Ni CAD
- (1) Diode électroluminescente de 2 volts pour la lampe témoin
- (1) Dispositif inhibiteur de corrosion CID101

Cette trousse comprend une lampe témoin neuve à diode électroluminescente (DEL) qui fournit, de forme visuelle, l'état de l'appareil. L'interprétation de la logique de fonctionnement de la DEL est fourni ci-dessous :

REMARQUE

La série ELPS de luminaires pour éclairage de sécurité a été remodelée en octobre 2005. Les modèles antérieurs comportent des cartes de circuits imprimés câblées à des contacts normalement fermés. Cette trousse ELPS-K50 dispose d'une carte de circuits imprimés qui doit être câblée à des contacts normalement ouverts. Les appareils plus anciens utilisent des modèles de luminaires de style différent (consulter la figure 8 ci-dessous).

	DEL éteinte	Aucune alimentation secteur au circuit
•	DEL illuminé (sans clignotements)	Charge complète
•	Un seul clignotement	En mode de charge
• - •	Deux clignotements	Défaillance de la pile
• - - •	Trois clignotements	Défaillance du circuit

Immédiatement après la remise en service de l'alimentation, la lampe témoin clignotera ou pulsera pour indiquer le mode de charge de la pile de l'appareil. Lors de son raccordement au bloc d'alimentation, l'appareil ELPS exige 72 heures pour charger complètement la pile. Une fois à pleine charge, la lampe témoin cessera de clignoter et demeurera illuminée. À tous les six mois, l'appareil effectuera un essai automatique de décharge de la pile d'une durée de 90 minutes.

Si l'appareil ne réussit pas à illuminer pour la période requise de 90 minutes, la lampe témoin indiquera une défaillance du circuit (trois (3) clignotements) à la fin de l'essai. Si une défaillance à la connexion de la pile est détectée à un moment donné, la lampe témoin indiquera une défaillance de la pile (deux (2) clignotements).

⚠ AVERTISSEMENT

Pour prévenir toute blessure provoquée par une décharge électrique au cours de l'entretien du luminaire, couper l'alimentation de l'appareil.

⚠ AVERTISSEMENT

Malgré un débranchement, les piles seront encore sous tension. Pour prévenir une décharge électrique et une explosion, prendre très soin de ne pas joindre les fils ou de toucher le dispositif de mise à la terre avec les fils.

⚠ IMPORTANT

ON EXIGE UN INTERRUPTEUR-SECTIONNEUR DÉSIGNÉ POUR PRÉSERVER LA SÉCURITÉ DE L'OPÉRATEUR, ALIMENTER LE SYSTÈME D'ÉCLAIRAGE DE SÉCURITÉ ELPS502 ET CHARGER LES PILES.

Pour empêcher une explosion, un interrupteur-sectionneur désigné avec fonction de verrouillage est requis pour effectuer des réparations de forme sécuritaire sur l'appareil entièrement câblé. La fonction de verrouillage empêchera une ouverture non autorisée du circuit lors du fonctionnement du système. Elle aide à couper l'alimentation au système lors de réparations minimisant ainsi la production d'arc dans le circuit de la pile lorsque le boîtier est ouvert dans un secteur classifié dangereux.

Les appareils livrés avec l'option S794 ou S854 comportent déjà un interrupteur-sectionneur installé dans le boîtier. Les appareils standards exigent un interrupteur-sectionneur à distance. Si l'interrupteur-sectionneur est également situé dans le secteur dangereux, il est imprescriptible d'installer un interrupteur-sectionneur de classe 1, div. 1. Utiliser le modèle EDS2129 ou EDS2129-GB de Crouse-Hinds (pour les applications de Groupe B).

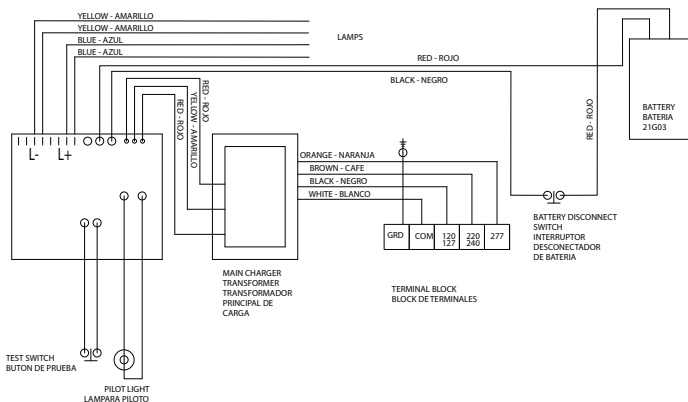


Figure 7. Schéma de câblage

ENTRETIEN

⚠ WARNING

To avoid explosion always disconnect primary power source using designated disconnect switch before opening enclosure for inspection or service.

1. Effectuer des essais réguliers en conformité aux exigences locales et à la rubrique d'Essai régulier décrite dans les présentes directives.
2. Nettoyer régulièrement la lentille du luminaire et les surfaces externes. Nous recommandons un nettoyage à tous les trois mois ou plus fréquemment, le cas échéant.
3. Un examen interne régulier serait également de mise. Élaborer un programme d'entretien en fonction du milieu où est installé le luminaire et de la fréquence de son fonctionnement. Il est recommandé d'effectuer un entretien au moins une fois l'an.
4. Effectuer des inspections visuelles, électriques et mécaniques de tous les composants sur une base régulière.
 - Inspecter visuellement pour toute trace de surchauffe comme des fils ou autres composants décolorés, pour des pièces endommagées ou usées ou une mauvaise étanchéité du joint indiquée par la présence de corrosion ou d'eau à l'intérieur.
 - S'assurer que tous les raccordements électriques sont propres et serrés.
 - S'assurer que toutes les pièces sont correctement assemblées.
5. Ne pas essayer de remplacer ou de réparer sur les lieux la garniture du couvercle du bloc d'alimentation ELPS50. À défaut, retirer la garniture endommagée et utiliser le couvercle sans celle-ci. Une telle pratique garantit une utilisation sécuritaire dans des emplacements dangereux de classe I et II. Par contre, le boîtier ne sera pas à l'épreuve de la pluie.

⚠ MISE EN GARDE

Pour éviter une explosion, nettoyer les surfaces planes de joint du corps et du couvercle du boîtier avant de le refermer. Éviter l'accumulation de poussière ou de matière étrangère sur les surfaces planes de joint. Le contact entre les deux surfaces doit être complet pour garantir un joint antidéflagrant adéquat.

RENIFLARD ET PURGE

Le boîtier du bloc d'alimentation ELPS50 est doté d'un reniflard et d'une purge. Se reporter au feuillet d'Installation et d'entretien IF-843 pour les directives d'examen et d'entretien.

RETRAIT DU MODULE DE CARTE DE CIRCUITS IMPRIMÉS EXISTANT (pour les appareils produits AVANT octobre 2005).

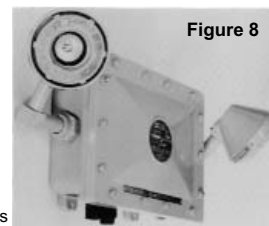


Figure 8

1. Couper l'alimentation secteur au niveau du disjoncteur puis le verrouiller.
2. Désactiver l'interrupteur-sectionneur désigné.
3. Après avoir coupé toutes les sources d'alimentation du luminaire, retirer toutes les attaches du couvercle pour accéder aux éléments internes.

⚠ AVERTISSEMENT

Pour éviter une explosion, ne pas endommager les surfaces planes de joint. Ne pas utiliser de marteaux ou de leviers pour manipuler les couvercles. Ne pas manipuler brusquement les couvercles ni les déposer sur des surfaces qui risquent d'endommager ou d'égratigner les surfaces planes de joint.

4. Débrancher les fils de la lampe témoin et de l'interrupteur.
5. Débrancher toutes les connexions entrantes de la borne GRD (mise à la terre) à la borne L-.
6. Retirer le goujon et le montant d'assemblage situés dans le coin supérieur droit de la partie interne du boîtier. Retirer les trois autres écrous de fixation et rondelles de blocage de la platine arrière en aluminium. Retirer le vieux module interne et le mettre de côté.
7. Insérer le module interne neuf et le fixer avec les trois écrous de fixation et rondelles de blocage retirés des bornes L+ et L-.

- Retirer l'ancienne ampoule incandescente (ou DEL) de la lampe témoin et la remplacer par la DEL neuve de 2 volts fournie avec le module interne neuf.
- Refaire toutes les connexions entrantes selon le schéma de câblage apposé sur le module neuf (consulter également la figure 7) et rebrancher les fils du ou des luminaires EVLA12 ou de l'enseigne de SORTIE retirés à l'ÉTAPE 5.

REMARQUE

Les anciennes cartes de circuits imprimés sont reliées à des contacts normalement fermés. Les cartes de circuits imprimés de rechange doivent être reliées à des contacts normalement ouverts.

- Installer le dispositif inhibiteur de corrosion CID101 compris dans la trousse. Pour ce faire, décoller la pellicule protectrice pour exposer la surface adhésive. Coller le CID101 sur la paroi interne du boîtier dans la partie supérieure.

RETRAIT DU MODULE DE CARTE DE CIRCUITS IMPRIMÉS EXISTANT (pour les appareils produits APRÈS octobre 2005).

- Couper l'alimentation secteur au niveau du disjoncteur puis le verrouiller.
- Désactiver l'interrupteur-sectionneur désigné.
- Après avoir coupé toutes les sources d'alimentation du luminaire, retirer toutes les attaches du couvercle pour accéder aux éléments internes.



Figure 9

AVERTISSEMENT

Pour éviter une explosion, ne pas endommager les surfaces planes de joint. Ne pas utiliser de marteaux ou de leviers pour manipuler les couvercles. Ne pas manipuler brusquement les couvercles ni les déposer sur des surfaces qui risquent d'endommager ou d'égratigner les surfaces planes de joint.

- Débrancher les fils de la lampe témoin et de l'interrupteur puis retirer les quatre vis de ¼-20 et rondelles de blocage de la platine arrière en aluminium. Retirer le vieux module interne et le mettre de côté.
- Débranchez toutes les connexions entrantes à partir du bornier et bornes L+ et L- de la carte de circuit imprimé.
- Pour les appareils fabriqués avant septembre 2012, ne débranchez que les connexions entrantes des bornes GND à L-.
- Insérer le module interne neuf à l'intérieur du boîtier existant et le fixer avec les mêmes quatre vis ¼-20 et rondelles de blocages retirées plus tôt à l'étape 4.
- Retirer l'ancienne ampoule incandescente (ou DEL) de la lampe témoin et la remplacer par la DEL neuve de 2 volts fournie avec le module interne neuf.
- Refaire toutes les connexions selon le schéma de câblage apposé sur le module neuf (consulter également la figure 1).
- Installer le dispositif inhibiteur de corrosion CID101 compris dans la trousse. Pour ce faire, décoller la pellicule protectrice pour exposer la surface adhésive. Coller le CID101 sur la paroi interne du boîtier dans la partie supérieure.

REBRANCHER L'ALIMENTATION SECTEUR ET TESTER LE SYSTÈME

- Exécuter des contrôles de continuité pour vérifier si le câblage est correct. Utiliser un dispositif de mesure de la résistance d'isolement pour vérifier la présence de mise à la terre indésirable.
- Refermer le couvercle et serrer solidement tous les boulons et écrous du couvercle à un couple de 30 pi-lb. S'assurer de ne pas oublier un boulon.
- Mettre l'appareil sous tension (alimentation secteur) et laisser le système ELPS se charger pour une période de 72 heures avant d'effectuer un essai quelconque. Ne pas couper l'alimentation secteur ni enfoncer le bouton poussoir " Push-To-Test " avant que l'appareil ne soit complètement chargé. La DEL de la lampe témoin cessera de clignoter et s'illuminera pour indiquer que l'ELPS est à pleine charge.
- Tester le bon fonctionnement du système d'éclairage de sécurité. Actionner l'interrupteur-sectionneur désigné et observer. La ou les lampes témoins " Main Power ON " devraient être ÉTEINTES et l'éclairage de sécurité EVLA12 devrait être ÉTEINT.
- Enfoncer le bouton poussoir indicateur " Push-To-Test " et observer. La lampe témoin " Main Power ON " (alimentation principale présente) devrait être ÉTEINTE et l'éclairage de sécurité EVLA12 devrait FONCTIONNER.
- Verrouiller l'interrupteur-sectionneur désigné en position " ON " (marche) pour empêcher la coupure d'alimentation du système par des personnes non autorisées.

- Tester le système régulièrement comme décrit dans le manuel de directives IF1072 qui est fourni à l'origine avec l'appareil.

Il est aussi possible d'obtenir un soutien technique auprès de votre représentant régional des ventes Crouse-Hinds ou du service après-vente à l'adresse suivante : Crouse-Hinds Service Center, P.O. Box 4 999, Syracuse, NY 13221, É.-U. Téléphone : 315-477-5531.

Numéro de pièce

Module interne ELPS K50

Conservé les présentes directives (dans l'enveloppe plastique protectrice fournie) à un emplacement sûr et commode relié au tableau d'éclairage de sécurité ou conservé près de ce dernier.

Calibre de fil pour une installation à distance (pour des fils de cuivre)

Distance (en pieds) entre le bloc d'alimentation et le luminaire

Température ambiante en °C	25			40			5		
Luminaire									
Charge max. en watts	12	24	30	12	24	30	12	24	30
Calibre du fil									
• 14 AWG	125	63	50	117	58	47	109	55	44
• 12 AWG	198	99	79	185	92	74	173	87	69
• 10 AWG	317	158	127	295	148	118	276	138	110
• 8 AWG	505	253	202	471	235	188	440	220	176

Distance maximale pour limiter la chute de tension à 5 %.

CARACTÉRISTIQUE DE DÉLAI D'INTERRUPTION

Les systèmes d'éclairage de sécurité ELPS sont dotés d'une fonction de délai d'interruption. Cette caractéristique maintient le luminaire de l'éclairage de sécurité en fonction après la remise en service de l'alimentation. Le délai d'interruption est configuré en usine et fournit un éclairage de sécurité pour une durée d'environ 15 minutes puis le système revient automatiquement en mode normal de charge.

GUIDE DE DÉPANNAGE

SYMPTÔME	SOLUTION
1. La DEL ne s'illumine pas	1a. Vérifier l'alimentation du luminaire. 1b. Vérifier si la DEL est insérée à fond dans la douille. 1c. Vérifier si l'ampoule est bonne. 1d. Vérifier si le transformateur est correctement relié à la carte de circuits imprimés.
2. La DEL clignote deux fois	2. Vérifier si la pile est correctement reliée à la carte de circuits imprimés.
3. L'appareil n'est pas à pleine charge après 72 heures (DEL illuminé) et les luminaires clignotent	3. Retirer les fils des contacts du bouton poussoir normalement fermés et insérer les fils dans les contacts normalement ouverts.
4. La DEL clignote trois fois	4. Vérifier si la tension de la pile, sans charge, est de 13 volts ou plus après 72 heures. Si la tension est de moins de 13 volts, communiquer avec le fabricant pour un remplacement de la pile. Si elle est de plus de 13 volts, consulter le fabricant pour un remplacement complet du module interne car le transformateur ou la carte de circuits imprimés pourrait être le responsable de la défaillance.

PRODUCTOS PARA ILUMINACIÓN DE EMERGENCIA

SISTEMA ELPS502 (M05), SISTEMA ELPS502 (M05) EXS/EXD,

FUENTE DE ALIMENTACIÓN ELPS50 (M05), ACCESORIO DE ILUMINACIÓN EVLA12

Información para Instalación y Mantenimiento



IF 1510

CONSERVE ESTE INSTRUCTIVO PARA FUTURAS REFERENCIAS

APLICACIÓN

El sistema de iluminación de emergencia ELPS502 modelo #M05 está diseñado para iluminar determinadas áreas automáticamente en caso de falla o interrupción de la alimentación al sistema de iluminación normal. El ELPS502, ensamblado y cableado en fábrica, consiste en una fuente de alimentación ELPS50 y dos accesorios de iluminación EVLA.

Cuando se los instala adecuadamente, los siguientes sistemas de iluminación de emergencia a prueba de lluvia ELPS cuentan con certificación UL y cUL para ser utilizados en:

- Fuente de Alimentación ELPS50 - Clase I, División 1, Grupos B, C y D
- ELPS502 - Clase I, División 1, Grupos B, C y D

La señal de salida no tiene certificación UL/cUL

- ELPS502 (EXS/EXD) - Clase I, División 1 y 2, Grupos C, D (grupo B cuando se lo solicita con sufijo GB)

Todos los sistemas de iluminación de emergencia ELPS están diseñados para ser utilizados en las áreas Clase II, División 1, Grupos E, F, G, y en áreas (clasificadas) peligrosas de presencia simultánea como está definido por el National Electrical Code®.

La fuente de alimentación ELPS50 consiste en una alimentación por batería y un sistema de recarga de batería contenidos en un gabinete para área peligrosa con todos los circuitos necesarios para encender automáticamente el o los accesorios de iluminación DC en caso de falla de la fuente de alimentación normal. Una lámpara piloto indica cuando la unidad se alimenta con la fuente normal. Se suministra un botón "presione para probar" para realizar pruebas periódicas de la unidad.

A continuación se explican las indicaciones:

•	Luz apagada	No existe energía AC en el circuito
•	Luz constante (sin parpadear)	Carga completa
• - •	La luz parpadea una vez	Cargando
• - - •	La luz parpadea dos veces	Falla de batería
• - - - •	La luz parpadea tres veces	Falla del circuito

Inmediatamente luego de que se inicia la fuente de alimentación, la luz indicadora parpadea para indicar que la unidad se está cargando. Una vez instalado con la fuente de alimentación, el ELPS necesita 72 horas para cargar la batería. Una vez completa la carga de la unidad, la luz indicadora deja de parpadear y se mantiene constante. Cada seis meses, la unidad realiza una prueba de descarga de batería durante 90 minutos, automáticamente.

Al completar la prueba, si no se cumplió con el requisito de los 90 minutos, la luz indica falla del circuito (3 parpadeos). Si en cualquier momento la conexión de la batería no es adecuada, la luz indica falla de batería (2 parpadeos).

El accesorio de iluminación EVLA12 es un ensamble sellado en fábrica que alberga un único reflector o lámpara halógena como fuente de iluminación. Las señales de salida ELPS EVI y ELPS EVA GB son selladas en fábrica, con una única fuente de iluminación incandescente. Todos los accesorios incluyen lámparas.

El EVLA12 está diseñado para áreas NEMA 4X cuando se monta remotamente (no se instala sobre una fuente de alimentación ELPS) y se suministra con un respiradero/drenaje NEMA 4X.



ESPECIFICACIONES

Fuente de Alimentación ELPS50:

Entrada	-120, 220/240 y 277 VAC ± 5%, 50 ó 60Hz	-0.5 Amperes máximo
Salida	-12 VDC; 2.5Amperes -28 Watts por 1½ hora (ELPS502) -29 Watts por 1½ hora (ELPS502 EXS/EXD)	
Temp. Ambiente:	-0°C a 40°C	

Accesorios de Lámpara:

	EVLA12	ELPS EVI/ELPS EVA GB
Entrada	-12 VDC	-12 VDC
Temp. Ambiente	-55°C máximo	-40°C máximo
Código de Temp. Operativa	-Clase I - T4A; -Clase II, III - T3C -Presencia Simultánea	-Clase I - T4 -Clase II, III - T3C - T3C

NOTA: La temperatura ambiente especificada para la fuente de alimentación ELPS50 es de 0°C a 40°C a fin de maximizar la capacidad de la batería. Se permite el uso de los accesorios de iluminación EVLA12 en áreas de temperatura ambiente más elevada (55°C) para ofrecer mayor libertad en la elección de una ubicación remota de instalación.

NOTA: la Unidad viene el estándar con una tardanza de tiempo de un 15 minuto para cumplir con NEC 700.16 para la iluminación ESCONDIDA.

National Electrical Code® es una marca comercial registrada de la National Fire Protection Association.

⚠ IMPORTANTE

El sistema de iluminación de emergencia debe ser instalado, inspeccionado, operado y debe recibir mantenimiento por personal calificado y competente.

⚠ PRECAUCIÓN

Para evitar lesiones, descargas eléctricas y fallas del equipo:

1. No utilice el equipo con otros fines más que los previstos.
2. No utilice equipos accesorios no recomendados por el fabricante.
3. El suministro de energía debe estar desconectado antes de y durante la instalación y el mantenimiento.
4. El equipo debe ser montado en lugares y a alturas donde no estará al alcance de la manipulación indebida de personal no autorizado.
5. No monte el equipo cerca de otros equipos que produzcan calor.
6. En áreas Clase I, instale y selle todos los equipos de acuerdo con los artículos del National Electrical Code acerca de Áreas (Clasificadas) Peligrosas, y otras normas aplicables.
7. Instale únicamente sistemas de cableado con un conductor de puesta a tierra del equipo (que puede ser el sistema del conducto) para alimentar el ELPS.
8. Se debe instalar dos interruptores de Desconexión Designados, unipolares, para desconectar el circuito de batería y el circuito de alimentación para la seguridad durante el mantenimiento y la revisión.
9. Elimine toda atmósfera peligrosa del área de la instalación antes del cableado.
10. Cumpla todas las precauciones para manipulación de la batería aquí especificadas.
11. No dañe las superficies planas de junta de la caja de la fuente de alimentación ELPS50 con martillos o herramientas de palanca. Maneje las tapas con cuidado y no las apoye en superficies que puedan dañar o rayar las superficies planas de junta.
12. Para evitar roturas: No opere la lámpara con voltajes mayores a los especificados, proteja la lámpara de abrasiones y rayones, y protéjala de líquidos cuando la lámpara está en operación. Deseche la lámpara adecuadamente.

INSTALACIÓN

A. Instale el Sistema ELPS502 o la Fuente de Alimentación ELPS50

⚠ PRECAUCIÓN

Para evitar descargas eléctricas, el suministro de energía debe estar desconectado antes de y durante la instalación y el mantenimiento.

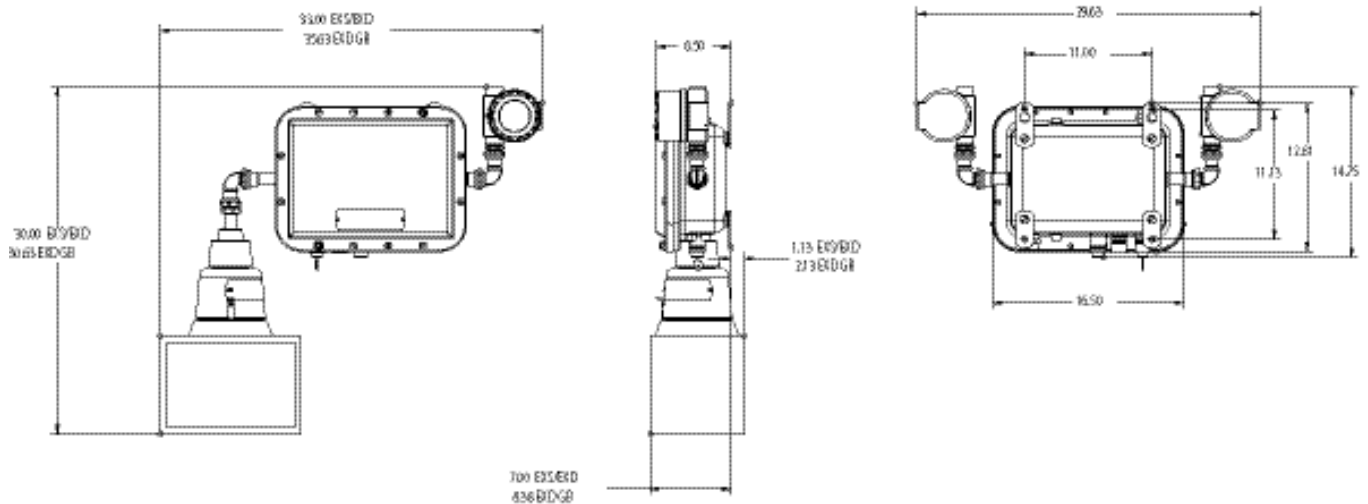


Figura 1. Dimensiones del ELPS502 y ELPS502 EXS / EXD

1. Seleccione un lugar de montaje que ofrezca la fuerza y la rigidez necesarias para soportar la fuente de alimentación y los accesorios de iluminación. La Figura 1 muestra las dimensiones generales y dimensiones de montaje para las cuatro patas de montaje.

Peso :	Sistema ELPS502	50 lbs.
	Sistema ELPS502 EXS/EXD	60 lbs.
	Fuente de Alimentación ELPS50	40 lbs.
	Accesorio EVLA12	5 lbs.

2. Fije el gabinete firmemente al lugar del montaje con tornillos o pernos de 3/8" de diámetro.

⚠ IMPORTANTE

La posición de montaje recomendada es con la pared trasera del gabinete fijada a una superficie vertical, con la lámpara piloto y el botón "presione para probar" ubicados en la parte inferior del gabinete.

⚠ NOTA

Se debe instalar un accesorio de sellado Clase I, División 1 a menos de 18 pulgadas de la entrada del conducto del gabinete ELPS. Utilice el compuesto de sellado Chico A o Chico SpeedSeal para sellar la entrada del conducto.

3. Retire los pernos de la tapa y las tuercas de dos pernos de fijación, luego levante la tapa y retírela con cuidado a fin de evitar daños a la junta plana y al empaque de la brida.

NOTA: Las unidades ELPS tienen dos pernos de fijación ubicados en extremos diagonalmente opuestos del cuerpo para facilitar la colocación de la tapa. No retire los pernos de fijación.

4. Pase a la Sección B para fijar y/o ajustar los accesorios de iluminación EVLA.

⚠ PRECAUCIÓN

A fin de evitar daños a las superficies planas de junta, no utilice martillos o herramientas de palanca para abrir las tapas. Maneje las tapas con cuidado y no las apoye en superficies que puedan dañar o rayar las superficies planas de junta.

B. Fije y ajuste el o los Accesorios de Iluminación EVLA12

NOTA: Si está instalando la unidad ELPS502, los accesorios ya se encuentran fijados. Siga al Paso 5 para ajustar los accesorios.

⚠ PRECAUCIÓN

La cabeza y el brazo del accesorio EVLA tienen un límite de 180° de ajuste rotacional. Recuerde esta limitación para evitar daños al cableado interno.

1. Retire el o los tapones roscados de los agujeros roscados NPT de 1" a los costados del gabinete de la fuente de alimentación ELPS50 donde se instalará el accesorio EVLA12.

NOTA: Los accesorios EVLA montados remotamente se pueden montar en una caja de empalmes adecuada, por ejemplo los modelos de Crouse-Hinds EABT36, EABL36, o el EABC36 que ofrece una cuerda de 1" para fijar el accesorio.

⚠ IMPORTANTE

Se necesitan separadores entre la caja de empalmes y la superficie de montaje para garantizar un espacio despejado para la rotación de la cuerda del accesorio durante la instalación. Se necesita una dimensión de 11/8" entre la línea central de la cuerda de montaje y la cara de la superficie de montaje.

2. Enrosque el ensamble de la luz en el cuerpo, asegurándose de que el accesorio reductor se haya adentrado en el cuerpo por lo menos cinco vueltas de rosca completas.
3. Con una llave de 1-5/8", afloje la Tuerca 'A', coloque la cabeza de la lámpara en la posición vertical deseada y apriete a 58 lb.-ft. de torque.
4. Con la misma llave de 1-5/8", afloje la Tuerca 'B' y coloque la cabeza de la lámpara en la posición horizontal deseada. Asegúrese de apretar la Tuerca 'B' a 58 lb.-ft. de torque.

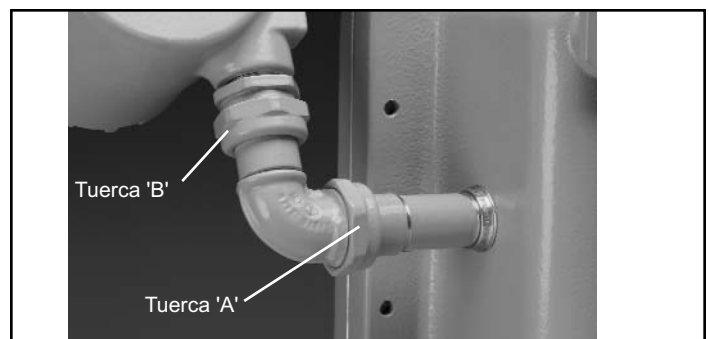


Figura 2. Accesorio de Iluminación EVLA

NOTA

En áreas Clase II, Clase III y de Presencia Simultánea, no apunte el accesorio hacia arriba a un ángulo mayor de 30° sobre horizontal. De lo contrario, podría haber una acumulación excesiva de polvo y el polvo se podría recalentar a niveles peligrosos.

- Repita los pasos si desea conectar un segundo accesorio EVLA12 en el gabinete de la fuente de alimentación ELPS50.
- Pase a la Sección C, donde encontrará instrucciones para la conexión de conductos y el cableado.

C. Conexión de conductos y cableado

- Conecte el gabinete a un sistema de conductos puesto a tierra adecuadamente, con los accesorios de sellado requeridos por la Sección 501.15, y de ser necesario la Sección 502.15 del National Electrical Code, y por otras normas aplicables.
- Si se utiliza cable, instale los accesorios de sellado de cables requeridos por la Sección 501.15 del National Electrical Code y por otras normas aplicables.

NOTA: Refiérase al Paso 2b y asegúrese de que el sistema tiene instalada la caja de desconexión designada.

⚠ PRECAUCIÓN

- Para evitar explosiones, todas las aperturas del conducto no usadas deben ser tapadas. El tapón debe cubrir por lo menos cinco vueltas de rosca completas. Utilice los tapones PLG suministrados con la unidad.
- Para mantener la integridad a prueba de explosiones, los accesorios de sellado de conducto DEBEN ser instalados en cada conducto adjunto (a menos de 18 pulgadas del gabinete de la fuente de alimentación ELPS50 en áreas Clase I).
- Para mantener la integridad a prueba de explosiones en áreas Clase I, se requieren accesorios de sellado de conducto en todas las entradas de conducto (a menos de 18 pulgadas del gabinete de la fuente de alimentación ELPS50) para todos los accesorios de iluminación de emergencia con ubicación remota.

- Realice todas las conexiones de acuerdo al diagrama de cableado incluido en el soporte de batería de la fuente de alimentación.

NOTA: Aunque en general no se requiere, el ensamble interior se puede retirar para facilitar la inserción de los cables. Retire cuatro (4) arandelas de seguridad y tornillos 1/4-20 y desconecte las puntas de los cables en la lámpara piloto y el interruptor. Maneje el interior CON CUIDADO y no lo ubique en un área donde lo pueda dañar la suciedad o el polvo. Vuélvalo a su lugar una vez que insertó todo el cableado en el gabinete.

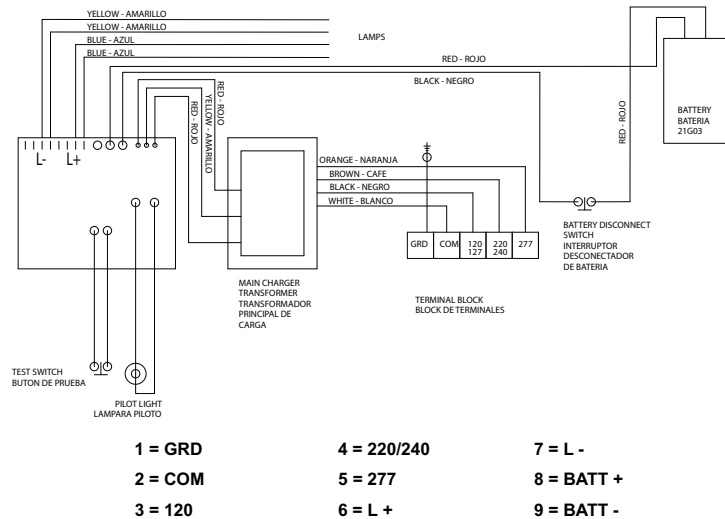


Figura 3. Diagrama de cableado

⚠ PRECAUCIÓN

- Para evitar explosiones y lesiones, el suministro de energía debe estar desconectado antes de y durante la instalación y el mantenimiento, y el área de la instalación debe estar libre de atmósferas peligrosas.

NOTA: Si está instalando la unidad ELPS502, la conexión de las puntas de alimentación de los accesorios de iluminación ya se encuentra lista. Siga al Paso 2b.

- Conecte los cables de alimentación del aplique de iluminación EVLA12 a las ranuras L+ y L-. Ver Figuras 3 y 4.
- Conecte el circuito de la batería de la luz de emergencia con energía entrante AC de 120, 220/240 ó 277 VAC, 50 ó 60 Hz, mediante un interruptor de "desconexión designada".

NOTA: La aislación de los conductores 12V debe ser igual a la de las puntas de alimentación de mayor voltaje, de acuerdo con el Artículo 300.3(C) del NEC.

Importante: PARA INSTALAR Y OPERAR ADECUADAMENTE EL ELPS, DEBE INSTALAR UN INTERRUPTOR DESCONECTADOR POR SEPARADO. SI EL INTERRUPTOR DESCONECTADOR SE ENCUENTRA EN EL ÁREA PELIGROSA, DEBE INSTALAR UN INTERRUPTOR CLASE I, DIVISIÓN 1. UTILICE LOS MODELOS CROUSE-HINDS EDS2129 O EDS2129GB PARA APLICACIONES GRUPO B. (Vea la nota de Precaución más abajo)

El Interruptor de Desconexión Designado puede ser suministrado como parte del accesorio de iluminación de emergencia ELPS502 (Opción S794 u Opción S854).

Opción S794 - Interruptor operado con traba como parte del accesorio de iluminación de emergencia ELPS502. Vea el Paso 2c para continuar el cableado de alimentación.

Opción S854 - Interruptor sin traba como parte del accesorio de iluminación de emergencia ELPS502. Vea el Paso 2c para continuar el cableado de alimentación.

EDS2129 (EDS2129GB para aplicaciones Grupo B) - Interruptor con montaje remoto (no suministrado). Instale según las instrucciones suministradas con el interruptor EDS2129(GB). Realice el cableado a los terminales 8 y 9. Vea el Paso 2c para continuar el cableado de alimentación.

⚠ PRECAUCIÓN

- Para evitar explosiones, se requiere una posición de Desconexión Designada con bloqueo interno y externo para el mantenimiento seguro de la unidad completamente cableada. La capacidad de bloqueo interno y externo ayudará a prevenir que se abra el circuito sin autorización cuando el sistema debería funcionar, y a prevenir el suministro de energía durante el mantenimiento, minimizando la posibilidad de chispas en el circuito de la batería mientras el gabinete se encuentra abierto en un área (clasificada) peligrosa.
- Para evitar explosiones, el interruptor de desconexión designado, Cooper Crouse-Hinds EDSC2129 (EDS2129GB para aplicaciones Grupo B), debe ser adecuado para ser utilizado en las áreas peligrosas en las que se instala.

- Conecte 120 VAC primaria (mediante interruptor de desconexión designado) al terminal 120. Conecte 220/240 VAC primaria (mediante interruptor de desconexión designado) al terminal 220/240. Conecte 277 VAC primaria (mediante interruptor de desconexión designado) al terminal 277. Conecte común al terminal COM. Conecte todos los conductores de puesta a tierra del equipo al terminal GRD. Conecte el conector de batería a la placa de circuitos. Verifique que el conector del transformador también esté conectado a la placa de circuitos.

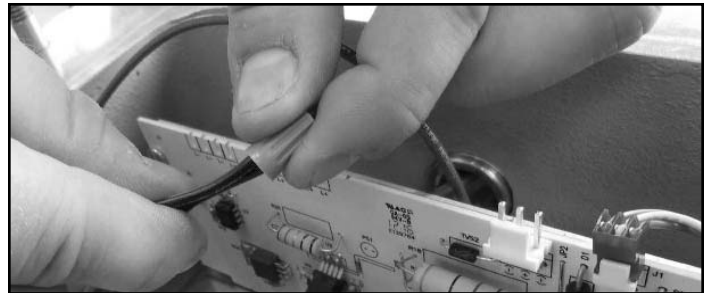


Figura 4.

⚠ PRECAUCIÓN

Para evitar descargas eléctricas, utilice el accesorio únicamente en sistemas con un conductor de puesta a tierra del equipo.

NOTA

La unidad necesita cargarse durante 72 horas antes de realizar pruebas. No desconecte la energía AC hasta que la unidad esté cargada por completo.

3. Verifique que el cableado sea correcto mediante pruebas de continuidad y que no existan puestas a tierra no deseadas con pruebas de resistencia a la aislación.
4. Permita que el ELPS se cargue durante 72 horas antes de realizar pruebas de la operación de las luces de emergencia.

D. Complete la instalación

1. Instale el dispositivo anticorrosivo CID101 (suministrado suelto en el ELPS50). Se recomienda colocarlo en la pared inferior entre la lámpara piloto "Main Power On" y el agujero roscado NPT de 1". Refiérase a las instrucciones de instalación del CID101.

⚠ PRECAUCIÓN

Para evitar explosiones, limpie las superficies planas de junta del cuerpo y de la tapa antes de cerrar. No se debe acumular suciedad ni materiales extraños sobre las superficies planas de junta. Para ofrecer un sellado a prueba de explosiones, las superficies deben sellarse por completo entre sí.



Figura 5. Controles del ELPS50

2. Cierre la tapa y apriete firmemente todos los pernos y tuercas de la tapa a 30 lb.-ft. de torque, con cuidado de no obviar ningún perno. Utilice únicamente los pernos suministrados con el gabinete.

NOTA: Las unidades ELPS tienen dos pernos de fijación ubicados en extremos diagonalmente opuestos del cuerpo para facilitar la colocación de la tapa.

⚠ NOTA

Se debe instalar un accesorio de sellado Clase I, División 1 a menos de 18 pulgadas de la entrada del conducto del gabinete ELPS. Utilice el compuesto de sellado Chico A o Chico SpeedSeal para sellar la entrada del conducto.

NO oprima el botón "presione para probar" hasta que el ELPS se haya cargado durante 72 horas. La batería de emergencia requiere 72 horas para cargarse por completo. La luz indicadora se mantendrá constante (sin parpadear) cuando el ELPS esté cargado por completo.

3. Verifique que el sistema de iluminación de emergencia opere adecuadamente:
 - a. Conecte la energía al interruptor de desconexión designado.
 - b. Encienda el interruptor de desconexión designado y observe:
 - La lámpara piloto "Main Power ON" debería funcionar.
 - La o las luces de emergencia ?EVLA12 deberían estar apagadas.
 - c. Oprima el botón "presione para probar" y observe:
 - La lámpara "Main Power ON" debería estar apagada.
 - La o las luces de emergencia ?EVLA12 deberían estar encendidas.
4. Configure el interruptor de desconexión designado en "ON" para evitar que personas no autorizadas apaguen el sistema.
5. Ajuste la o las luces de emergencia EVLA12 según la dirección de iluminación deseada y fije la posición con una llave fija de 1-5/8" a 58 lb.-ft. de torque. Vea la Figura 2.

NOTA

En áreas Clase II, Clase III y de Presencia Simultánea, no apunte el accesorio hacia arriba a un ángulo mayor de 30° sobre horizontal. De lo contrario, podría haber una acumulación excesiva de polvo y el polvo se podría recalentar a niveles peligrosos.

E. Montaje remoto de la Luz de Emergencia EVLA12 únicamente

1. Fije el EVLA12 a una caja de salida NPT de 1" Cooper Crouse-Hinds EABC36 o EABL36.
2. Fije el ensamble a la superficie de montaje con pernos de ¼ pulgada o tornillos de compresión del largo requerido (no suministrados).
3. Refiérase a la Tabla 1 de la página 6 para ver recomendaciones acerca del conductor.
4. Refiérase a la Sección B acerca de los ajustes de dirección y a la Sección C sobre conexión de conductos y cableado.

PRUEBAS PERIÓDICAS

El Artículo 700 del National Electrical Code indica que "los sistemas deben ser probados periódicamente según un cronograma aceptable para las autoridades con jurisdicción, para garantizar su mantenimiento en condiciones de operación adecuadas". También indica que "se debe mantener un registro escrito de dichas pruebas y tareas de mantenimiento".

IDE no existir requisitos de pruebas periódicas de una autoridad local, se recomienda seguir las siguientes indicaciones del NFPA 101 (2003) Life Safety Code:

1. **Mensualmente:** Mantenga oprimido el botón "presione para probar" durante 30 segundos como mínimo. Verifique que los accesorios de iluminación de emergencia se mantengan encendidos en toda su capacidad durante ese tiempo. Registre la prueba en la Tarjeta de Registro de Mantenimiento. La Tarjeta de Registro de Mantenimiento se suministra en el sobre con la planilla de instrucciones.
2. **Anualmente:** Desconecte la energía en el panel de distribución. Verifique que los accesorios de iluminación de emergencia se mantengan encendidos durante 1-1/2 horas como mínimo.

NOTA: Deje el interruptor de desconexión designado en "ON" durante la prueba, para que no se interrumpa el circuito de la batería. Recomendamos continuar la prueba hasta que la fuente de alimentación apague las luces de emergencia automáticamente. De esta manera se mantendrá al máximo la capacidad de la batería.

Registre la prueba en la Tarjeta de Registro de Mantenimiento.

Deje transcurrir 48 horas de carga antes de depender de que la batería opere en su capacidad máxima.

Si alguna de las pruebas no es satisfactoria, es posible que sea necesario reemplazar la batería o la lámpara.

REEMPLAZO DE LA BATERÍA

1. Configure el interruptor de desconexión designado en "OFF".
2. Retire los pernos y tuercas de la tapa del gabinete de la fuente de alimentación ELPS50, luego levante la tapa y retírela con cuidado a fin de evitar daños a la junta plana y al empaque de la brida.

PRECAUCIÓN

TPara evitar explosiones, no dañe las superficies planas de junta. No utilice martillos o herramientas de palanca para abrir las tapas. Maneje las tapas con cuidado y no las apoye en superficies que puedan dañar o rayar las superficies planas de junta.

3. Desconecte la tuerca del alambre que acopla el cable negativo negro de la batería al enchufe de la batería, teniendo cuidado de no tocar tierra.
4. Desconecte la tuerca del alambre que acopla el cable positivo rojo de la batería a un interruptor selector de ENCENDIDO/APAGADO.
5. Retire los cuatro tornillos que fijan el soporte de batería a la placa de montaje y afloje el tornillo de retención de uno de los soportes de tope de la batería. Retire la batería. Retenga la película aislante de la batería para utilizarla con la batería nueva.

PRECAUCIÓN

Para evitar explosiones, no haga un cortocircuito en la batería ni los terminales del conector.

6. Cubra la batería con la película aislante e instálela utilizando el soporte y los cuatro tornillos que retiró anteriormente. Reajuste el tornillo del soporte de tope de la batería. Vuelva a conectar el conductor negro de la batería y el conductor rojo utilizando las tuercas del alambre.

PRECAUCIÓN

Para evitar exponer los terminales de la batería, la película aislante debe cubrir la batería completamente.

PRECAUCIÓN

Para evitar explosiones, limpie las superficies planas de junta del cuerpo y de la tapa antes de cerrar. No se debe acumular suciedad ni materiales extraños sobre las superficies planas de junta. Para ofrecer un sellado a prueba de explosiones, las superficies deben sellarse por completo entre sí.

7. Cierre la tapa y apriete firmemente todos los pernos y tuercas de la tapa a 30 lb.-ft. de torque, con cuidado de no obviar ningún perno. Utilice únicamente los pernos suministrados con el gabinete.
8. Encienda el suministro de energía al ELPS Light-Pak y encienda el interruptor de desconexión de la batería [S794 o S854] ubicado junto al botón "presione para probar".
9. Pruebe la batería nueva según el Paso 4 de la Sección D: Complete la Instalación.

PRECAUCIÓN

Para evitar explosiones:

1. Sea cuidadoso al manejar células/baterías, a fin de evitar el corto de la célula con materiales conductores como sortijas, brazaletes y llaves. La célula o el conductor pueden recalentarse y provocar quemaduras.
2. No deseche la célula/batería a llama abierta; las células podrían estallar.
3. No abra ni mutile la célula/batería. Las células abiertas pueden liberar electrolitos corrosivos que pueden ser dañinos para la piel y los ojos y pueden ser tóxicos si se los ingiere.

REEMPLAZO DE LA LÁMPARA DE LA SEÑAL DE SALIDA Para unidades con señales de salida opcionales (sufijo "-EXS" o "-EXD")

1. Retire los tres tornillos que fijan la señal de SALIDA al ensamble del accesorio. Retire la señal de SALIDA con cuidado, deslizándola hacia abajo del ensamble.
2. Afloje el tornillo que fija la palanca de bloqueo. Levante la palanca y reajuste el tornillo para mantener la palanca de bloqueo temporalmente alejada.
3. Desatornille el bombillo del ensamble del accesorio.
4. Retire la lámpara.
5. Limpie e inspeccione como sea necesario.
6. Atornille la lámpara nueva al portalámpara y apriétela firmemente. La lámpara nueva

debe ser idéntica en tipo, tamaño y voltaje como se indica en la placa de identificación de la luminaria. La lámpara para la señal de salida ELPS EXS (EVI & EVA) es una Candex de 15 Watts, 12 Voltios, A15 opalina. El número de producto es A15-15F12V.

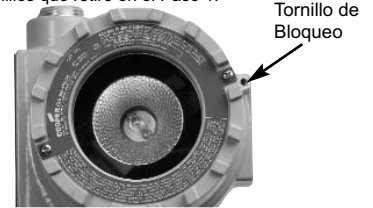
PRECAUCIÓN

Para mantener la integridad a prueba de explosiones, verifique que la lámpara esté completamente enroscada.

7. Deslice la palanca de bloqueo a su posición de manera tal que coincida con una de las ranuras del ensamble del bombillo. Ajuste el tornillo para fijar la palanca de bloqueo.
8. Deslice la señal de salida nuevamente sobre el ensamble del bombillo, cuidadosamente. Fijela con los tres tornillos que retiró en el Paso 1.

REEMPLAZO DE LA LÁMPARA DEL ACCESORIO

Figura 6.



PRECAUCIÓN

Para evitar romper la lámpara, protéjala de abrasiones y rayones. Utilice gafas y uniforme de seguridad al manejar la lámpara. Siempre espere que la lámpara enfríe antes de retirarla. Deseche la lámpara adecuadamente.

1. Desconecte el suministro de energía al ELPS Light-Pak y apague el interruptor de desconexión de la batería [S794 o S854] ubicado junto al botón "presione para probar".
2. Afloje el tornillo de bloqueo del anillo de la lente, pero no lo retire. Vea la Figura 6.
3. Retire la lente girando en el sentido contrario a las agujas del reloj hasta desenroscarla por completo.
4. Retire la lámpara del portalámpara y deséchela.
5. Instale la lámpara nueva, asegurándose de que esté libre de suciedad y marcas de dedos.
Lámpara de accesorio: No. 789, Miniatura, Tungsten Halogen, G4, 2 pins, 14 watts.
6. Instale el anillo de la lente girando en el sentido de las agujas del reloj hasta enroscarlo por completo.

Todas las cuerdas de los tornillos fueron tratadas con un lubricante resistente a la corrosión. Al trabajar sobre juntas roscadas, lubrique las cuerdas nuevamente con lubricante STL Crouse-Hinds.

PRECAUCIÓN

Para evitar dañar las cuerdas durante la instalación, procure evitar que se acumule suciedad o materiales extraños en las cuerdas. En caso de que esto suceda, limpie las cuerdas con queroseno o solvente Stoddard** y luego lubríquelas con lubricante STL.

**Para evitar explosiones, oxidación y corrosión, no utilice gasolina ni otros solventes similares.

7. Ajuste el tornillo de bloqueo.
8. Encienda el suministro de energía al ELPS Light-Pak y encienda el interruptor de desconexión de la batería [S794 o S854] ubicado junto al botón "presione para probar".
9. Pruebe la lámpara nueva según el Paso 4 de la Sección D: Complete la Instalación.

REEMPLAZO DE LA LÁMPARA PILOTO

1. Desconecte el suministro de energía al ELPS Light-Pak y apague el interruptor de desconexión de la batería [S794 o S854] ubicado junto al botón "presione para probar".
2. Desatornille el ensamble de la lámpara piloto.
3. Presione la lámpara para insertarla, gire en el sentido contrario a las agujas del reloj, luego retire la lámpara y deséchela.
4. Instale la lámpara piloto nueva.

Lámpara piloto: MB444WC1-2VF/N-DP 2V LED con base tipo bayoneta en miniatura *

5. Reemplace el ensamble, fijándolo firmemente sobre el cilindro.
6. Configure el interruptor de desconexión designado en "ON".

* Disponible con Starled, Inc. (www.starled.com)

REEMPLAZO DE LA PLACA DE CIRCUITOS Y EL KIT DE BATERÍA

EL KIT ELPS-K50 CONSISTE EN:

- (1) Placa de Circuitos y Ensamble del Cargador con Soporte de Montaje
- (1) Instrucciones IF- 1510-A
- (1) Batería Ni-CAD Sellada
- (1) LED de 2 Voltios para Lámpara Piloto
- (1) Dispositivo Anticorrosivo CID101

Este kit incluye una lámpara LED nueva que indica el estado de la unidad. A continuación se explican las indicaciones de la LED:

NOTA

Los accesorios de iluminación de emergencia de la serie ELPS fueron rediseñados en octubre de 2005. Los modelos anteriores tenían las placas de circuitos cableadas con contactos normalmente cerrados. Este kit ELPS-K50 cuenta con una nueva placa de circuitos que debe ser cableada con contactos normalmente abiertos. Las unidades anteriores utilizaban cabezas de accesorio de un estilo diferente (vea la Figura 8 más abajo).

	Luz apagada	No existe energía AC en el circuito
•	Luz constante (sin parpadear)	Carga completa
• •	La luz parpadea una vez	Cargando
• • •	La luz parpadea dos veces	Falla de batería
• • • •	La luz parpadea tres veces	Falla del circuito

Inmediatamente luego de que se inicia la fuente de alimentación, la luz indicadora parpadea para indicar que la unidad se está cargando. Una vez instalado con la fuente de alimentación, el ELPS necesita 72 horas para cargar la batería. Una vez completa la carga de la unidad, la luz indicadora deja de parpadear y se mantiene constante. Cada seis meses, la unidad realiza una prueba de descarga de batería durante 90 minutos, automáticamente.

Al completar la prueba, si no se cumplió con el requisito de los 90 minutos, la luz indica falla del circuito (3 parpadeos). Si en cualquier momento la conexión de la batería no es adecuada, la luz indica falla de batería (2 parpadeos).

PRECAUCIÓN

Para evitar lesiones por descargas eléctricas, el suministro de energía debe estar desconectado durante el mantenimiento.

PRECAUCIÓN

Aun luego de la desconexión, las baterías seguirán energizadas. Para evitar descargas eléctricas y explosiones, asegúrese de no tocar puntas unas con otras ni con tierra.

IMPORTANTE

SE REQUIERE UN INTERRUPTOR DE DESCONEXIÓN DESIGNADA POR MOTIVOS DE SEGURIDAD, PARA ALIMENTAR EL SISTEMA DE ILUMINACIÓN DE EMERGENCIA ELPS502 Y PARA CARGAR LAS BATERÍAS.

Para evitar explosiones, se requiere un interruptor de Desconexión Designada con bloqueo interno y externo para el mantenimiento seguro de la unidad completamente cableada. La capacidad de bloqueo interno y externo ayudará a prevenir que se abra el circuito sin autorización cuando el sistema debería funcionar, y a prevenir el suministro de energía durante el mantenimiento, minimizando la posibilidad de chispas en el circuito de la batería mientras el gabinete se encuentra abierto en un área (clasificada) peligrosa.

Las unidades suministradas con la Opción S794 o la Opción S854 ya cuentan con un interruptor de desconexión instalado en el gabinete. Las unidades estándar requieren un interruptor de desconexión remoto. Si el interruptor también se encuentra en un área peligrosa, debe instalar un interruptor Clase 1, División 1. Utilice los modelos Crouse-Hinds EDS2129 o EDS2129-GB (para aplicaciones Grupo B).

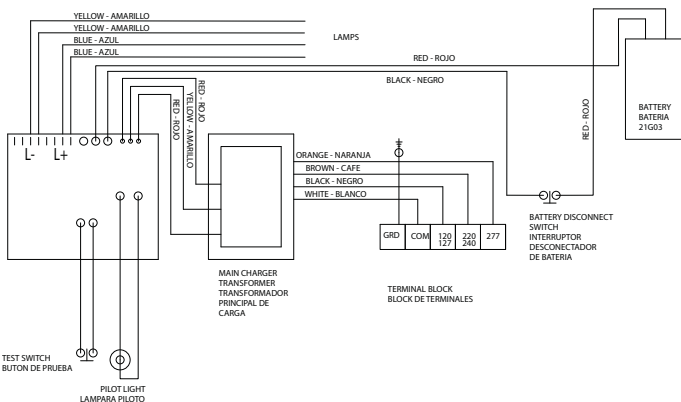


Figura 7. Diagrama de cableado

MANTENIMIENTO

PRECAUCIÓN

Para evitar explosiones, siempre desconecte la fuente de alimentación primaria con el interruptor de desconexión designado antes de abrir el gabinete para inspección o mantenimiento.

1. Realice pruebas periódicas de acuerdo con las normas de la autoridad local y la sección Pruebas Periódicas de estas instrucciones.
2. Limpie periódicamente la lente y las superficies exteriores del accesorio. Recomendamos hacerlo cada tres meses o con mayor frecuencia si es apropiado.
3. Inspeccione el interior con frecuencia. El ambiente y la frecuencia de uso determinarán el cronograma de mantenimiento. Se recomienda realizarlo por lo menos una vez al año.
4. Realice inspecciones visuales, eléctricas y mecánicas de todos los componentes regularmente.
 - Revise visualmente cualquier calentamiento por decoloración de los cables u otros componentes, partes dañadas o desgastadas, o derrames evidenciados por agua o corrosión en el interior.
 - Verifique eléctricamente que todas las conexiones estén limpias y apretadas.
 - Verifique mecánicamente que todas las partes estén adecuadamente ensambladas.
5. No intente reemplazar o reparar en campo el empaque de la tapa de la Fuente de Alimentación ELPS50. Simplemente retire el empaque dañado y continúe utilizando la tapa sin el empaque. De esta manera se garantizará la seguridad para el uso en áreas (clasificadas) peligrosas Clase I y Clase II. No obstante, el gabinete no será a prueba de lluvia.

PRECAUCIÓN

Para evitar explosiones, limpie las superficies planas de junta del cuerpo y de la tapa antes de cerrar. No se debe acumular suciedad ni materiales extraños sobre las superficies planas de junta. Para ofrecer un sellado a prueba de explosiones, las superficies deben sellarse por completo entre sí.

RESPIRADERO Y DRENAJE

El gabinete de la fuente de alimentación ELPS50 se suministra con respiradero y drenaje. Refiérase a las Instrucciones de Instalación y Mantenimiento IF-843 para ver instrucciones de inspección y mantenimiento.

RETIRO DEL ENSAMBLE DE CIRCUITOS EXISTENTE (Para unidades fabricadas ANTES de octubre de 2005).

1. Desconecte la energía ramal AC en el interruptor y bloqueador del circuito.
2. Configure el interruptor de desconexión designado en "OFF".
3. Luego de desconectar toda la energía AC y DC al accesorio, retire todas las fijaciones de la tapa para acceder al interior.

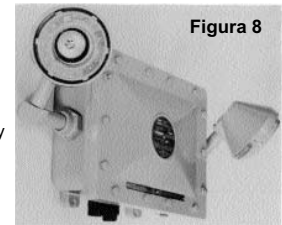


Figura 8

PRECAUCIÓN

Para evitar explosiones, no dañe las superficies planas de junta. No utilice martillos o herramientas de palanca para manejar las tapas. Maneje las tapas con cuidado y no las apoye en superficies que puedan dañar o rayar las superficies planas de junta.

4. Desconecte las puntas de los cables en la lámpara piloto y el interruptor.
5. Desconecte todas las conexiones entrantes de los terminales GRD a L-.
6. Retire el perno de montaje y el pilar ubicados en el extremo superior izquierdo del interior. Retire las otras tres tuercas de tope y arandelas de seguridad de la placa trasera de aluminio. Retire el ensamble del interior.
7. Instale el ensamble del interior nuevo con las tres tuercas de tope y arandelas de seguridad que retiró de los terminales L+ y L-.

- Reemplace la lámpara incandescente (o LED) de la lámpara piloto con la LED nueva de 2 voltios suministrada con el ensamble del interior nuevo.
- Realice todas las conexiones de cables entrantes de acuerdo al diagrama de cableado incluido en el ensamble nuevo (vea también la Figura 7) y reconecte las puntas de los cables de los accesorios de iluminación EVLA12 o de la señal de salida retiradas en el PASO 5.

NOTA

Las placas de circuitos anteriores están cableadas con contactos normalmente cerrados. Las placas de circuitos nuevas deben ser cableadas con contactos normalmente abiertos.

- Instale el dispositivo anticorrosivo CID101 suministrado con el kit, despegando la cubierta protectora para exponer el adhesivo. Instale el CID101 en la parte superior dentro de la pared del gabinete.

RETIRO DEL ENSAMBLE DE CIRCUITOS EXISTENTE (Para unidades fabricadas DESPUÉS de octubre de 2005).

- Desconecte la energía ramal AC en el interruptor y bloqueador del circuito.
- Configure el interruptor de desconexión designado en "OFF".
- Luego de desconectar toda la energía AC y DC al accesorio, retire todas las fijaciones de la tapa para acceder al interior.



Figura 9

PRECAUCIÓN

Para evitar explosiones, no dañe las superficies planas de junta. No utilice martillos o herramientas de palanca para manejar las tapas. Maneje las tapas con cuidado y no las apoye en superficies que puedan dañar o rayar las superficies planas de junta.

- Desconecte las puntas de los cables en la lámpara piloto y el interruptor y retire las cuatro arandelas de seguridad y tornillos ¼-20 de la placa trasera de aluminio. Retire el ensamble del interior.
- Desconecte todas las conexiones entrantes del bloque de terminales y terminales L+ y L- de la placa de circuitos.
- Para unidades fabricadas antes de septiembre de 2012, solo desconecte todas las conexiones entrantes de los terminales a tierra a través de L-.
- Instale el ensamble del interior nuevo dentro del gabinete existente con las mismas cuatro arandelas de seguridad y tornillos ¼-20 que retiró en el Paso 4.
- Reemplace la lámpara incandescente (o LED) de la lámpara piloto con la LED nueva de 2 voltios suministrada con el ensamble del interior nuevo.
- Realice todas las conexiones de acuerdo al diagrama de cableado incluido en el ensamble nuevo (vea también la Figura 1).
- Instale el dispositivo anticorrosivo CID101 suministrado con el kit, despegando la cubierta protectora para exponer el adhesivo. Instale el CID101 en la parte superior dentro de la pared del gabinete.

CONECTE LA ENERGÍA AC Y PRUEBE EL SISTEMA

- Verifique que el cableado sea correcto mediante pruebas de continuidad y que no existan puestas a tierra no deseadas con pruebas de resistencia a la aislación.
- Cierre la tapa y apriete firmemente todos los pernos y tuercas de la tapa a 30 lb.-ft. de torque, con cuidado de no obviar ningún perno.
- Conecte la energía AC y permita que el ELPS se cargue durante 72 horas antes de realizar pruebas. No desconecte la energía AC ni oprima el botón "presione para probar" hasta que la unidad esté cargada por completo. La luz indicadora LED se mantendrá constante (sin parpadear) cuando el ELPS esté cargado por completo.
- Verifique que el sistema de iluminación de emergencia opere adecuadamente. Encienda el interruptor de desconexión designado y observe: La o las luces indicadoras ?"Main Power ON" deberían estar apagadas. La o las luces de emergencia ?EVLA12 deberían estar apagadas.
- Oprima el botón "presione para probar" y observe: La luz indicadora ?"Main Power ON" debería estar apagada y la o las luces de emergencia ?EVLA12 deberían estar encendidas.
- Configure el interruptor de desconexión designado en "ON" para evitar que personas

no autorizadas apaguen el sistema.

- Realice pruebas periódicas de acuerdo con el Manual de Instrucciones IF1072 suministrado con la unidad cuando fue instalada originalmente.

También puede obtener asistencia a través de su representante de ventas local Crouse-Hinds o el centro de servicios de Crouse-Hinds, P.O. Box 4999, Syracuse, NY 13221, teléfono 315- 477-5531.

Número de parte

Ensamble del Interior ELPS K50

TABLA 1

Guarde estas instrucciones, dentro del sobre plástico de protección suministrado, en un lugar seguro y conveniente, fijado al accesorio de iluminación de emergencia o cerca de él.

Distancia de alcance* (pies) entre la Fuente de Alimentación y el Accesorio de Iluminación Remoto

Temp. Ambiente °C	25			40			55		
Accesorio de Iluminación									
Carga - Watts máx.	12	24	30	12	24	30	12	24	30
Tamaño de cable									
• 14 AWG	125	63	50	117	58	47	109	55	44
• 12 AWG	198	99	79	185	92	74	173	87	69
• 10 AWG	317	158	127	295	148	118	276	138	110
• 8 AWG	505	253	202	471	235	188	440	220	176

Distancia máxima para limitar la caída de voltaje de la línea al 5%.

FUNCIÓN DE TEMPORIZACIÓN

Los Sistemas de Iluminación de Emergencia ELPS están equipados con una función de temporización. Esta función le permite al accesorio de iluminación de emergencia mantenerse encendido luego de que la energía se ha restablecido. La temporización se preconfigura en fábrica para que la iluminación de emergencia se mantenga durante aproximadamente quince minutos y luego vuelva automáticamente al modo de carga normal.

GUÍA DE SOLUCIÓN DE PROBLEMAS

SÍNTOMA	SOLUCIÓN
1. La LED no se enciende	1a. Verifique que llegue energía al accesorio. 1b. Verifique que la LED esté completamente ajustada en el portalámpara. 1c. Verifique que la lámpara no esté rota. 1d. Verifique que el transformador esté conectado adecuadamente a la placa de circuitos.
2. La LED parpadea dos veces	2. Verifique que la batería esté conectada adecuadamente a la placa de circuitos.
3. Luego de 72 horas, la unidad no está cargada (LED constante) y las cabezas de la lámpara brillan	3. Retire las puntas de los contactos N/C del botón y termine las puntas de los contactos N/A.
4. La LED parpadea tres veces	4. Verifique que el voltaje de la batería sin carga sea de 13.0V o superior luego de 72 horas de carga. Si es menor de 13.0V, comuníquese con la fábrica para reemplazar la batería. Si es mayor que 13 voltios, comuníquese con la fábrica para reemplazar el interior, ya que el transformador y/o la placa de circuitos podrían ser el motivo.

