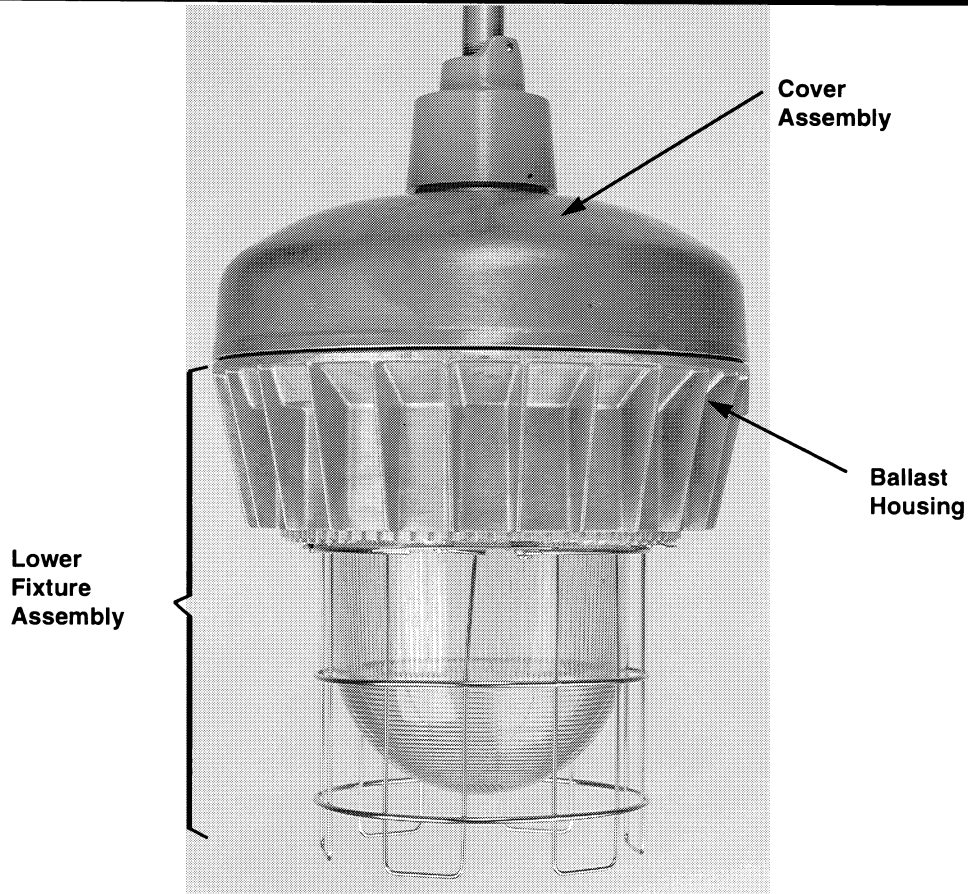


EVLP LOW PROFILE HAZARD•GARD® HID LIGHTING FIXTURE BALLAST REPLACEMENT KIT

Installation & Maintenance Information

IF 1400

SAVE THESE INSTRUCTIONS FOR FUTURE REFERENCE



WARNING

Electrical power must be turned OFF before and during installation and maintenance.

1. Loosen set screw located under ballast housing flange, then unscrew and remove lower fixture assembly (ballast housing and globe/guard assembly).
2. Disconnect wire connectors from lampholder wire leads.
3. Remove the six #10-24 screws that secure the component mounting plate and ballast to the ballast housing.
4. Discard ballast, hardware and component mounting plate.
5. Place new component mounting plate assembly in ballast housing and secure with four #10-24 screws.
6. Position new ballast in ballast housing with wires facing center of housing being sure there are no wires under ballast.
7. Secure ballast in position with replacement mounting bracket and two #10-24 screws.
8. Reconnect wires from ballast, lampholder and component subassembly following the wiring diagram for your fixture. Refer to Wiring Diagram Section.

9. Apply fresh HTL lubricant to ballast housing thread. Rethread ballast housing and globe/guard assembly onto cover assembly and secure with set screw.

MAINTENANCE

- Perform visual, electrical and mechanical inspections on a regular basis and replace worn or damaged parts as necessary. This should be determined by the environment and frequency of use. However, it is recommended that checks be made at least once a year. We recommend an Electrical Preventive Maintenance Program as described in the National Fire Protection Association Bulletin NFPA No. 70B.

WARNING

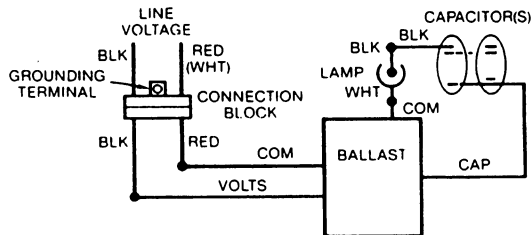
- To avoid electrical shock and possible explosion while performing maintenance, electrical power must always be turned off and the area free of hazardous gas or vapors.
- To avoid burning your hands while performing maintenance, make sure globe and lamp are cool.

MAINTENANCE (continued)

- The globe and reflector should be cleaned periodically to insure continued lighting performance. To clean, wipe the reflector then the globe with a clean, damp, soft cloth. If this is not sufficient, use a mild soap or a liquid cleaner such as Collinite NCF or Duco #7. Do not use an abrasive, strong alkaline, or acid cleaner. Damage to the reflector may result.
- Check slip ring on connection block for electrical continuity. Remove any surface contamination by lightly polishing contact ring(s). Carefully bend contacts up to form a 45° angle.

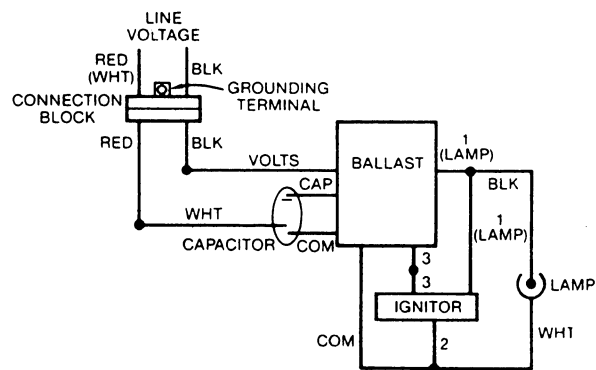
WIRING DIAGRAMS

Metal Halide (MH) — 175 watts
— all voltages

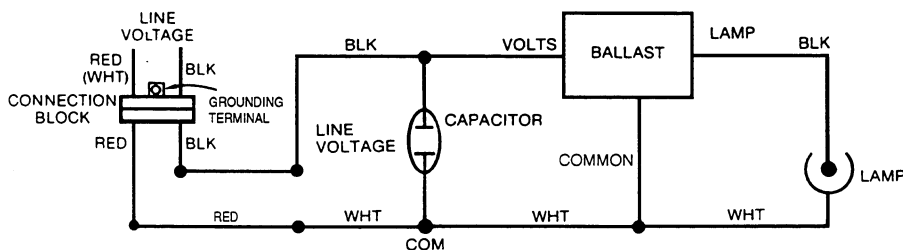


High Pressure Sodium (HPS) — 50, 70, 100 and 150-CE watts
—208, 240, 277, 347 and 480 volts

Metal Halide (MH) — 70, 100 watts
— all voltages



High Pressure Sodium (HPS) — 50, 70, 100 and 150-LX watts
— 120 volts



All statements, technical information and recommendations contained herein are based on information and tests we believe to be reliable. The accuracy or completeness thereof are not guaranteed. In accordance with Crouse-Hinds "Terms and Conditions of Sale", and since conditions of use are outside our control, the purchaser should determine the suitability of the product for his intended use and assumes all risk and liability whatsoever in connection therewith.