

NON-METALLIC CHAMP® HID FLUORESCENT LIGHTING FIXTURES - N2MV SERIES

Alignment Spacers Installation Information

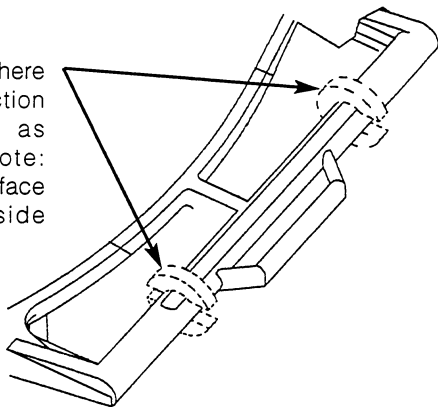
IF 1377

SAVE THESE INSTRUCTIONS FOR FUTURE REFERENCE

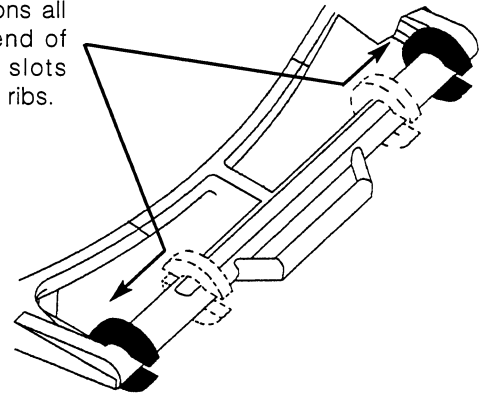
Alignment spacers are designed to eliminate hinge wear when fixture is subjected to excessive vibrations. Those alignment spacers are to be used only on those models that had them at the time of purchase. Additional spacers have been included with lighting fixtures should replacement be required.

Note: Make sure any visible glue residue is removed before replacing spacers.

1. Insert spacers here from this direction and oriented as shown. Note: undercut must face toward outside edge of hinge.



2. Push spacers in these directions all the way to end of pin. Note: slots must straddle ribs.



3. Hang ballast housing on cover module hinge hook by grasping fixture as shown, see Figure 1, using thumbs to hold spacers in place. Nest hinge pin fully into hinge hooks. Squeeze pin and hooks with thumb and fingers rather than pulling down on housing.

USE SPACERS WITH THIS COVER

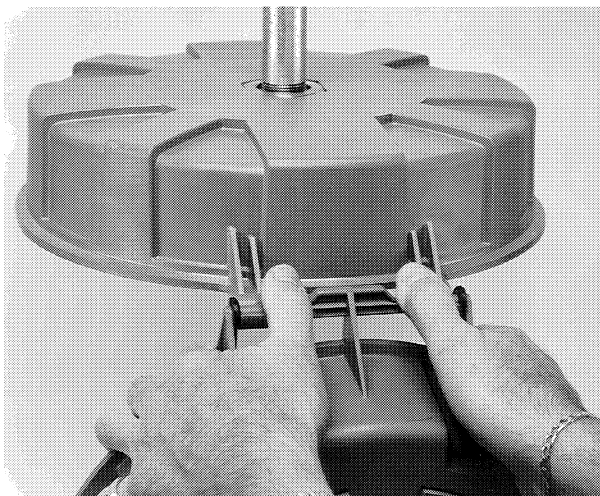


Figure 1

SPACERS NOT REQUIRED WITH THIS COVER

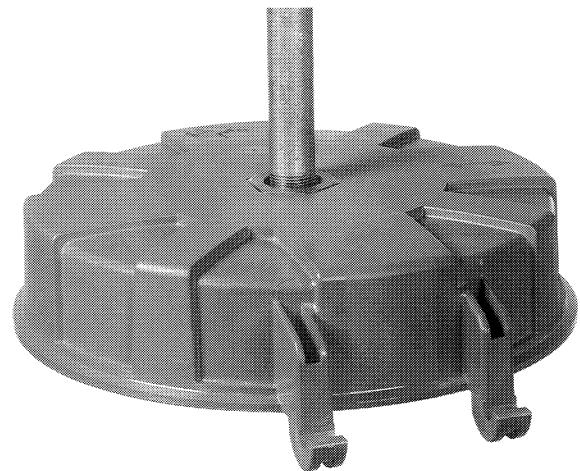


Figure 2

All statements, technical information and recommendations contained herein are based on information and tests we believe to be reliable. The accuracy or completeness thereof are not guaranteed. In accordance with Crouse-Hinds "Terms and Conditions of Sale", and since conditions of use are outside our control, the purchaser should determine the suitability of the product for his intended use and assumes all risk and liability whatsoever in connection therewith.