



FVS-K5 Trunnion Mount Kit

Installation And Maintenance Information

APPLICATION

The FVS-K5 Trunnion (yoke) mount kit is designed to be used with the FVS Compact Fluorescent Fixture. It allows the FVS to be mounted in a vertical position on a beam using a standard beam clamp in conjunction with the trunnion arm. It can be directly mounted to the wall or ceiling. Or you can use the trunnion arm in conjunction with the optional SFA6 slipfitter adapter for pole mounting.

The FVS-K5 used with the FVS Compact Fluorescent Series fixtures may be used at pulp and paper facilities, industrial and chemical processing plants, waste or sewage treatment facilities, where dirt, moisture, or corrosion are a problem, and anywhere fluorescent lighting has been preferred, but unavailable due to limited space and practicality.

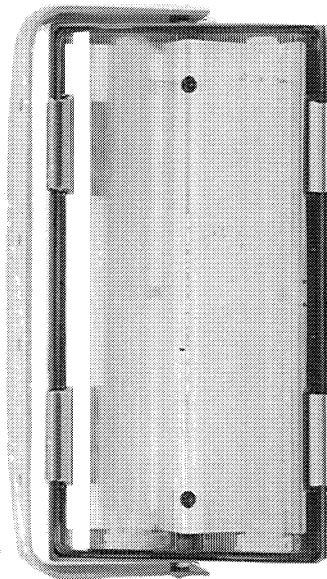
INSTALLATION

WARNING

Electrical power must be **OFF** before and during installation and maintenance.

1. Remove the standard 3/4" pipe plugs supplied with the FVS from the thru-feed hubs.
2. Thread the two (2) 3/4" square head plugs (supplied with kit) with 5/16" tapped holes into the thru-feed hubs.
3. Using the two (2) 5/16-18 hex head bolts and two (2) lock washers supplied with the kit, securely fasten the trunnion (yoke) arm to the FVS fixture thru the holes tapped in the square head plugs.

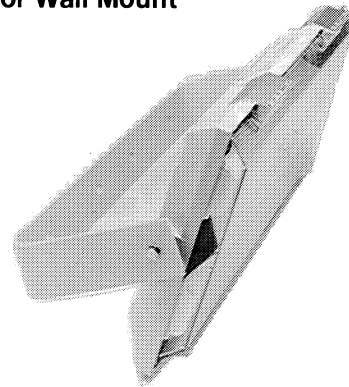
Beam Clamp Installation



1. Remove the mounting bolt and lockwasher from the beam clamp. (Beam clamp not supplied)
2. Position beam clamp on outside of trunnion arm over the mounting hole desired.
3. Pass mounting bolt with lockwasher through trunnion arm into beam clamp and securely tighten bolt.

4. Tighten hex head bolts to hold FVS at desired aiming angle. Torque 5/16-18 hex head bolts to 132 in. lbs.

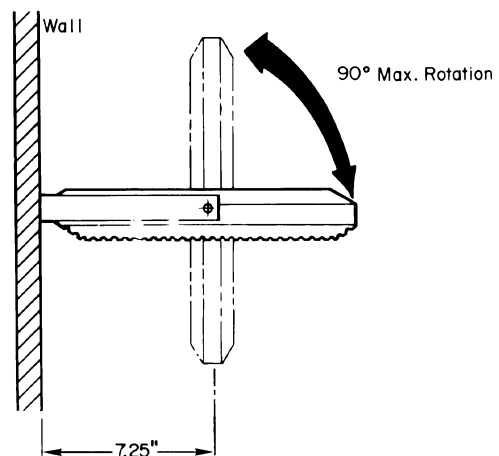
Ceiling or Wall Mount



1. Using two (2) 1/2" bolts, securely fasten trunnion arm to ceiling or wall where desired.
2. Aim the FVS at desired angle.

WARNING

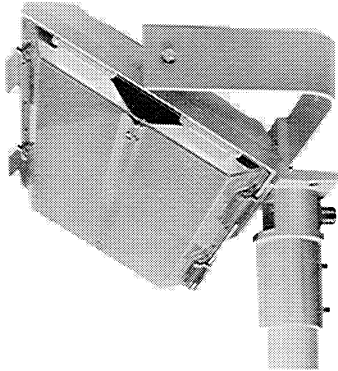
Due to heat generated during operation of fixture, the FVS must be mounted aimed between horizontal lens down and vertical. Fixture must **NOT** be mounted with lens aimed past vertical.



3. Tighten hex head bolts to hold FVS at desired aiming angle. Torque 5/16-18 hex head bolts to 132 in. lbs.

Option SFA6 provides a slipfitter for mounting the fixture on a two inch (2") conduit.

See IF1251 provided with the SFA6 for mounting instructions.



WIRING

WARNING

Electrical power must be **OFF** before and during installation.

1. Install a minimum length of 3 ft. #16-3 type SO cord into one of the pendant mount hubs on the FVS fixture using a CGB294 cable connector (included). Make electrical connections as necessary.

WARNING

Use fixture only on a grounded system. Make sure that supply voltage is the same as marked on fixture nameplate.

2. Feed the other end of 3 ft. #16-3 SO cord to power source leads and connect using methods that comply with the NEC and any local codes. If connecting directly to conduit use a conduit fitting in conjunction with a CGB294. If using the optional SFA6 slipfitter adapter feed the #16-3 SO cord into slipfitter adapter using CGB294 cable connector provided with SFA6. (see IF1251 provided with SFA6)

MAINTENANCE

WARNING

Always disconnect primary power source before opening fixture for inspection or service.

Perform visual, electrical and mechanical inspections on a regular basis. This should be determined by the environment and frequency of use. However, it is recommended that check should be made at least once a year. We recommend an Electrical Preventive Maintenance Program as described in the National Fire Protection Association Bulletin NFPA No. 70B. The lens and reflector should be cleaned periodically to insure continued lighting performance. To clean, wipe the lens and reflector with a clean, damp, soft cloth. If this is not sufficient, use a mild soap or a liquid cleaner such as collinite NCF or Duco #7. Do not use an abrasive, strong alkaline, or acid cleaner. Damage to the lens or reflector may result.

- Relamp fixtures as soon as possible after the lamp burns out to prevent damage to the ballast.
- Visually check for undue heating evidence by discoloration of wires or other components, damaged parts, or leakage evidenced by water or corrosion in the interior.
- Electrically check to make sure that all connections are clean and tight.
- Mechanically check that all parts are properly assembled.

All statements, technical information and recommendations contained herein are based on information and tests we believe to be reliable. The accuracy or completeness thereof are not guaranteed. In accordance with Crouse-Hinds "Terms and Conditions of Sale", and since conditions of use are outside our control, the purchaser should determine the suitability of the product for his intended use and assumes all risk and liability whatsoever in connection therewith.
