

FE215/5 & FE215/6 SERIES FLUORESCENT LUMINAIRES

Installation & Maintenance Information

SAVE THESE INSTRUCTIONS FOR FUTURE REFERENCE

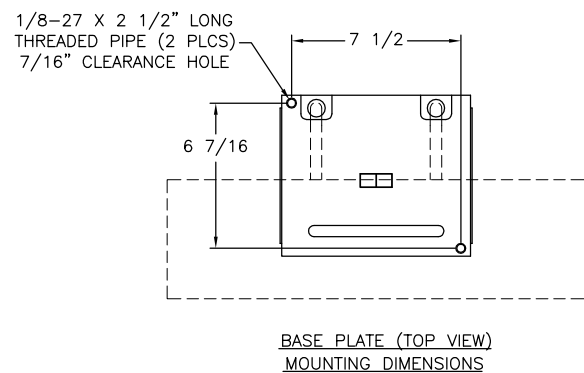
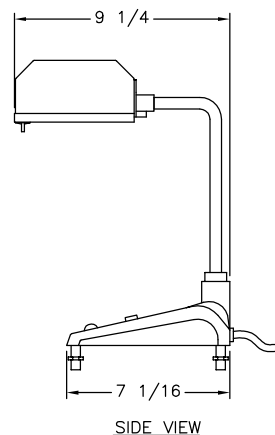
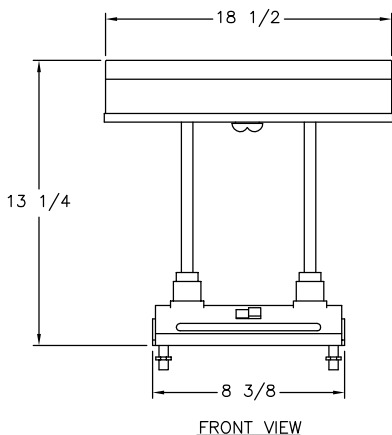
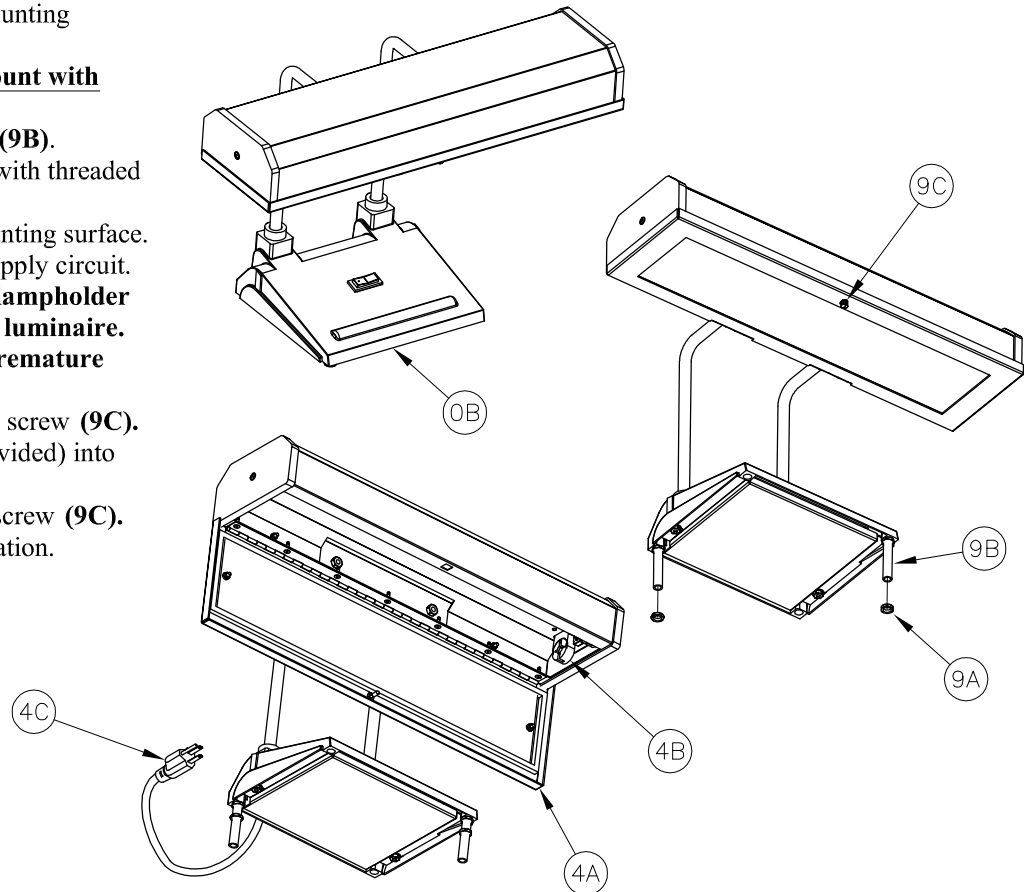
CAUTION Read carefully before installing and wiring the luminaire. Must be installed in accordance with the NEC (National Electrical Code) and all other applicable codes. These luminaires are not suitable for hazardous locations.

All luminaires must be properly grounded. Luminaires are supplied with an 8 foot cord and NEMA 5-15 plug. Turn off luminaire before relamping. Do not attempt to install this luminaire unless you are familiar with warnings, cautions and procedures outlined in this information sheet.

INSTALLATION & ELECTRICAL WIRING

WARNING Risk of electrical shock hazard, only qualified personnel should conduct this procedure!
This luminaire is rated to operate on 120v ac / 60Hz circuit only.

1. Make (2) Ø 7/16" mounting holes per mounting dimensions below.
2. Remove (2) nuts (9A) on threaded studs (9B).
3. Position luminaire base (0B) on surface with threaded studs (9B) thru mounting holes.
4. Replace (2) nuts (9A) and tighten to mounting surface.
5. Connect power cord (4C) to grounded supply circuit.
6. Open lens door (4A) by loosening thumb screw (9C).
7. Install the proper wattage lamps (not provided) into the lampholders (4B).
8. Close lens door (4A) and tighten thumb screw (9C).
9. Apply power and inspect for proper operation.



All statements, technical information and recommendations contained herein are based on information and tests we believe to be reliable. The accuracy or completeness thereof are not guaranteed. In accordance with Crouse-Hinds "Terms and Conditions of Sale", and since conditions of use are outside our control, the purchaser should determine the suitability of the product for his intended use and assumes all risk and liability whatsoever in connection therewith.