

FE215/2&4 - FE28/2&4 SERIES FLUORESCENT LUMINAIRES

Installation & Maintenance Information

SAVE THESE INSTRUCTIONS FOR FUTURE REFERENCE

CAUTION Read carefully before installing and wiring the luminaire. Check the ratings to insure suitability for the area. Must be installed in accordance with the NEC (National Electrical Code) and all other applicable codes. These luminaires are not suitable for hazardous locations.

All luminaires must be properly grounded. These luminaires are supplied with one 1/2" NPT and one 3/4" NPT knockouts. Disconnect the fixture from the supply circuit before opening. Do not attempt to install this luminaire unless you are familiar with warnings, cautions and procedures outlined in this information sheet.

INSTALLATION & ELECTRICAL WIRING

WARNING Risk of electrical shock hazard, only qualified personnel should conduct this procedure!
Do not make electrical connections with the power ON. Use cu or cu clad wire only, see product label for wire temperature rating. Optional convenience outlet is rated for 125 vac (maximum 15 amp).

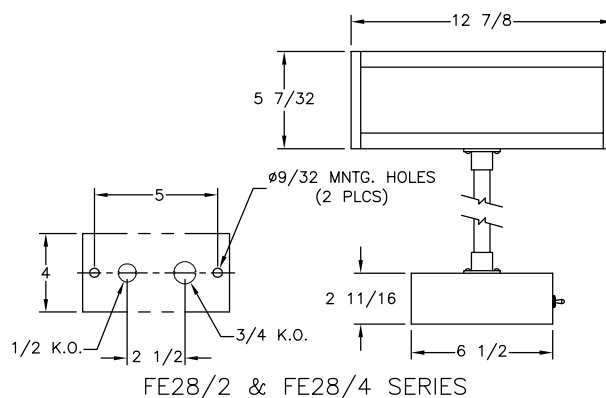
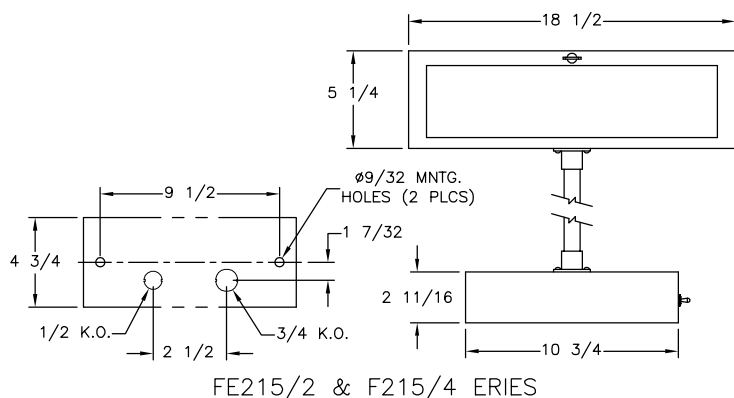
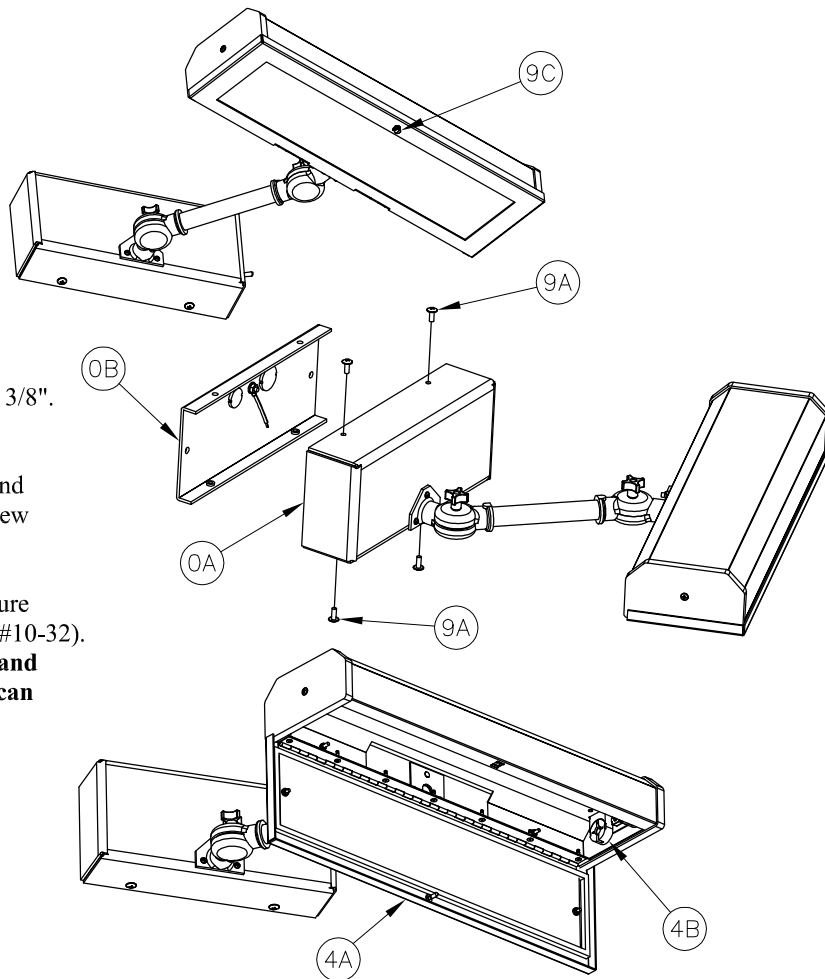
1. Make (2) mounting holes for minimum 1/4" screws (not provided) per mounting dimensions below.
2. Remove #10 screws (9A) (qty. 4x, #10-32).
3. Slide out mounting plate (0B).
4. Remove knockout on mounting plate (0B) and install fitting (not provided).
5. Route supply cable (not provided) thru fitting and tighten securely.
6. Secure mounting plate (0B) to wall with (2) minimum 1/4" screws (not provided).
7. Strip the supply cable(s) jacket back approximately 2". Strip the insulation of ground and supply wires approximately 3/8".

CAUTION See product label for voltage input and amperage load per fixture.

8. Using connectors, connect the L1 (hot) wire to black wire and L2 (neutral) to white wire. Connect ground wire to ground screw or green wire.
9. Place all wires and connections inside housing (0A) area.
10. Assemble housing (0A) to mounting plate (0B), making sure wires are not pinched. Secure with #10 screws (9A) (qty. 4x, #10-32).

CAUTION Use only fluorescent lamp to lampholder type and wattage rating indicated on the luminaire. Exceeding this can cause over heating, premature failure and be dangerous.

11. Open lens door (4A) by loosening thumb screw (9C).
12. Install the proper wattage lamps (not provided) into the lampholders (4B).
13. Close lens door (4A) and tighten thumb screw (9C).
14. Apply power and inspect for proper operation.



All statements, technical information and recommendations contained herein are based on information and tests we believe to be reliable. The accuracy or completeness thereof are not guaranteed. In accordance with Crouse-Hinds "Terms and Conditions of Sale", and since conditions of use are outside our control, the purchaser should determine the suitability of the product for his intended use and assumes all risk and liability whatsoever in connection therewith.