

# FBN / FMN SERIES FLUORESCENT LUMINAIRES

## Installation & Maintenance Information

**COOPER** Crouse-Hinds  
**PAULUHN**

**IF LBL1524**

**SAVE THESE INSTRUCTIONS FOR FUTURE REFERENCE**

**⚠ CAUTION** Read carefully before installing and wiring the luminaire. Check the ratings to insure suitability for the area. Must be installed in accordance with the NEC (National Electrical Code) and all other applicable codes. These luminaires are not suitable for hazardous locations.

All luminaires must be properly grounded. These luminaires are supplied with one 1/2" NPT and one 3/4" NPT knockouts. Disconnect the fixture from the supply circuit before opening. Do not attempt to install this luminaire unless you are familiar with warnings, cautions and procedures outlined in this information sheet.

### INSTALLATION & ELECTRICAL WIRING

**⚠ WARNING** Risk of electrical shock hazard, only qualified personnel should conduct this procedure!  
Do not make electrical connections with the power ON. Use cu or cu clad wire only, rated minimum 75°C.  
Convenience outlet is rated for 125 vac, maximum 15 amp.

1. Make (2) mounting holes for minimum #10 screws (not provided) per mounting dimensions below.

**NOTE:** This luminaire is for wall mount only.

2. Loosen thumb screws (9A) (qty. 4) and remove cover (0A).

3. Remove reflector assembly (0C) by loosening #8 screws (9B) (qty. 4, #8-32).

4. Remove knockout on back of housing and install fitting (not provided) to housing (0B). If the knockouts on the end of the fixture must be used, caution must be taken to carefully cut clearance slots on the housing cover (0A), so as to clear the electrical fittings when the cover is replaced. This can be done using the proper size hole saw and a jig saw.

5. Route supply cable (not provided) thru fitting and tighten securely.

6. Secure luminaire to wall with (2) minimum #10 screws (not provided).

7. Strip the supply cable(s) jacket back approximately 2". Strip the insulation of ground and supply wires approximately 3/8".

**⚠ CAUTION** See product label for voltage input and amperage load per fixture.

8. Using connectors, connect the L1 (hot) wire to black and L2 (neutral) to the white wire. Connect ground wire to ground screw or green wire.

9. Push all wires and connections inside housing (0B) area.

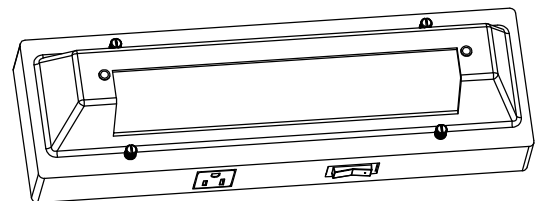
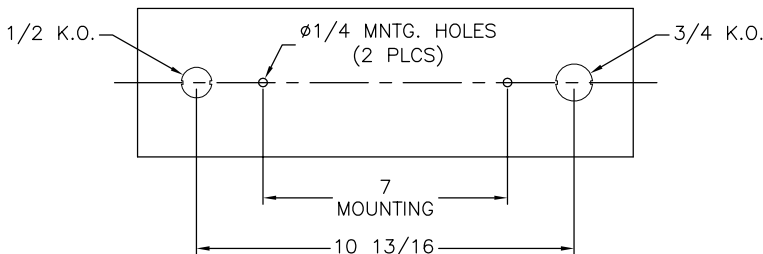
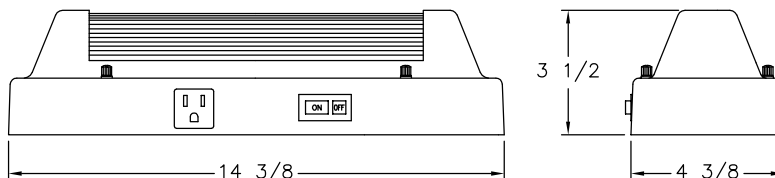
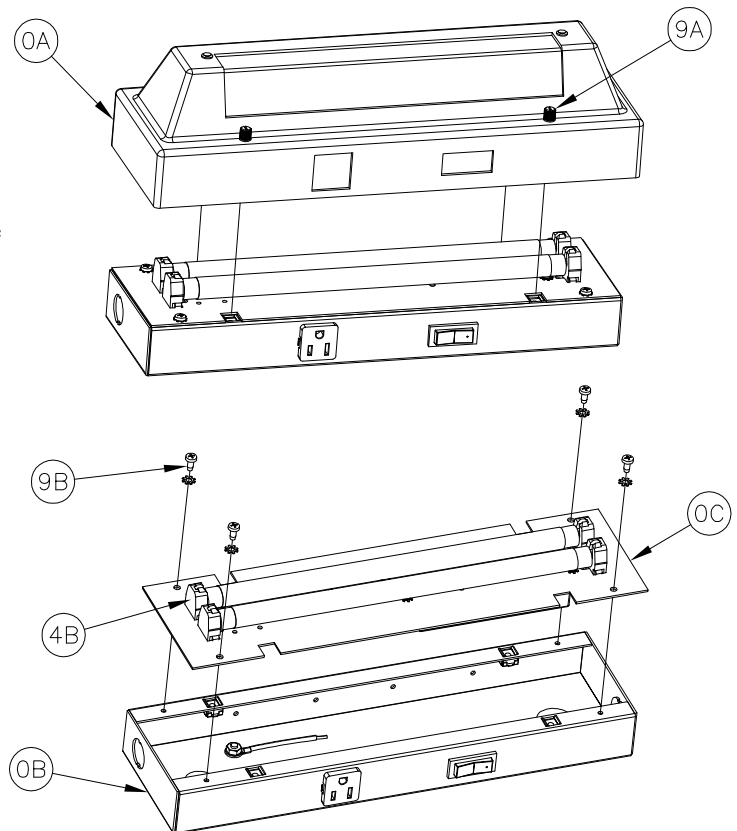
10. Carefully replace reflector assembly (0C) making sure wires are not pinch. Assemble with #8 screws and washers (9B) (qty 4, #8-32).

**⚠ CAUTION** Maximum 8 watts Type F8T5 lamp for T5 Mini Bi-Pin G5 socket. Exceeding this wattage can cause over heating, premature failure and be dangerous.

11. Install the proper wattage lamp (provided) into the lampholders (4B).

12. Replace cover (0A) and tighten all thumb screws (9A).

13. Apply power and inspect for proper operation.



All statements, technical information and recommendations contained herein are based on information and tests we believe to be reliable. The accuracy or completeness thereof are not guaranteed. In accordance with Crouse-Hinds "Terms and Conditions of Sale", and since conditions of use are outside our control, the purchaser should determine the suitability of the product for his intended use and assumes all risk and liability whatsoever in connection therewith.