

FR SERIES FLUORESCENT LUMINAIRES

Installation & Maintenance Information

SAVE THESE INSTRUCTIONS FOR FUTURE REFERENCE

⚠ CAUTION Read carefully before installing and wiring the luminaire. These instructions include information for installation in both standard and inside marine locations. Any warning or special instructions should be closely followed. All luminaires must be properly grounded.

Under NO circumstance should the internal reflector be opened or removed during operation. Fixtures contain fluorescent ballast having extremely high voltage output. Disconnect the fixture from the supply circuit before opening. Keep closed when in operation. Do not attempt to install this luminaire unless you are familiar with warnings, cautions and procedures outlined in this information sheet.

INSTALLATION & ELECTRICAL WIRING

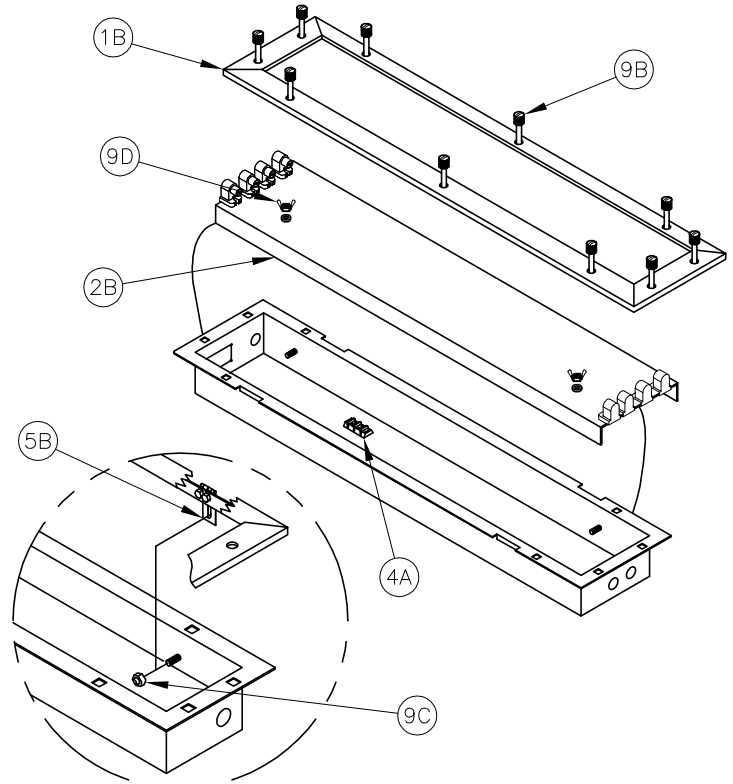
⚠ WARNING Risk of electrical shock hazard, only qualified personnel should conduct this procedure! Do not make electrical connections with the power ON. Refer to fixture nameplate for minimum supply wire rating. The FR Series fixtures are provided with two 1/2" and two 3/4" NPT knock out at each ends. Installer must use proper electrical fittings to maintain dripproof integrity.

1. Remove fixture from carton, remove lens frame assembly (1B) by loosening all frame screws (9B).
2. Remove the 2 nuts (9C) that hold the sliding lens frame hinge (5B) in place. Retain for later.
3. Make cut out in ceiling per dimensions below.
4. Mount fixture in ceiling cutout with #10 screws (not provided).
5. Remove the nuts (9D) that hold the internal reflector (2B) in place.

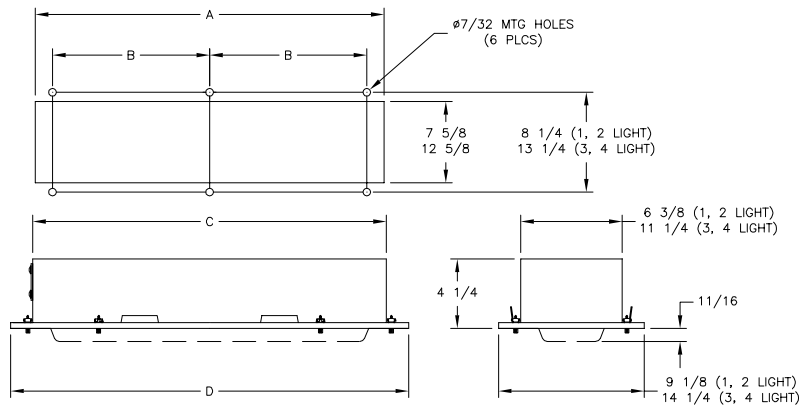
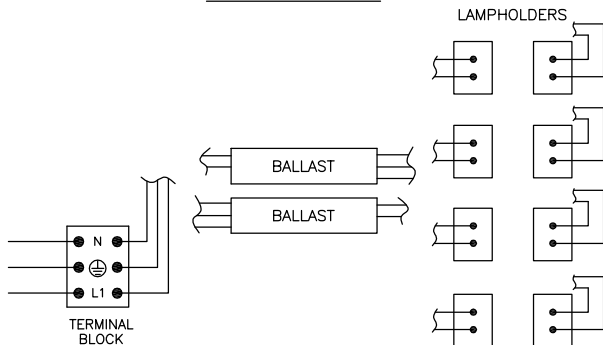
NOTE: This fixture is listed as " Marine Inside Type Drip-proof", consideration should be given when selecting cord grips to insure a drip-proof seal around the cable.

⚠ CAUTION See product label for voltage input and amperage load per fixture. Use only approved electrical type splices. Route wires away from fluorescent ballast when feeding cables through fixture.

6. Connect L1 (Hot) lead to the adjacent to the black fixture wire on the terminal block (4A).
7. Connect L2 (Neutral) lead to the adjacent white fixture wire on the terminal block (4A).
8. Connect Green or earth wire ground to the green wire.
9. Tighten cord grips securely assuring a good seal around the cable(s).
10. Replace reflector (2B) with retaining nuts (9D).
11. Install lamps (Not provided) using only those types specified on product label.
12. Replace lens frame assembly (1B) sliding hinge nuts (9C) to retain the assembly.
13. Close the lens frame and secure with frame screws (9B).



WIRING DIAGRAM



Mounting Dimensions				
Fixture	A	B	C	D
2 Foot	27.75"	10"	26.50"	29.12"
4 Foot	51.75"	20"	50.50"	53.12"

All statements, technical information and recommendations contained herein are based on information and tests we believe to be reliable. The accuracy or completeness thereof are not guaranteed. In accordance with Crouse-Hinds "Terms and Conditions of Sale", and since conditions of use are outside our control, the purchaser should determine the suitability of the product for his intended use and assumes all risk and liability whatsoever in connection therewith.