

FDA / PERPENDICULAR SERIES FLUORESCENT LUMINAIRES

Installation & Maintenance Information

IF LBL1485

SAVE THESE INSTRUCTIONS FOR FUTURE REFERENCE

⚠ CAUTION Read carefully before installing and wiring the luminaire. These instructions include information for installation in both standard and inside marine locations. Any warning or special instructions should be closely followed. All luminaires must be properly grounded. Must be installed in accordance with the NEC (National Electrical Code) and all other applicable codes.

Under NO circumstance should the internal reflector be opened or removed during operation. Fixtures contain fluorescent ballast having extremely high voltage output. Disconnect the fixture from the supply circuit before opening. Keep closed when in operation. Do not attempt to install this luminaire unless you are familiar with warnings, cautions and procedures outlined in this information sheet.

INSTALLATION & ELECTRICAL WIRING

⚠ WARNING Risk of electrical shock hazard, only qualified personnel should conduct this procedure! Do not make electrical connections with the power ON. Refer to fixture nameplate for minimum supply wire rating. The FDA Series fixtures are provided with one 1/2" NPT knock out thru top of housing. Installer must use proper electrical fittings to maintain drip-proof integrity. The FDA Perpendicular Type is design for 300mm Suspended Ceiling System.

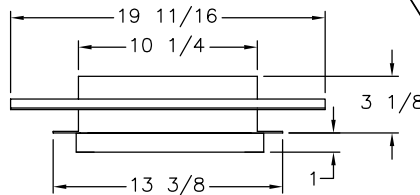
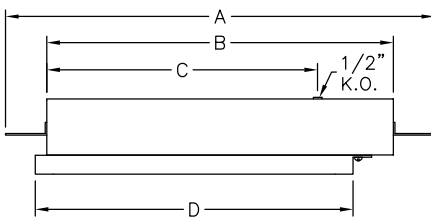
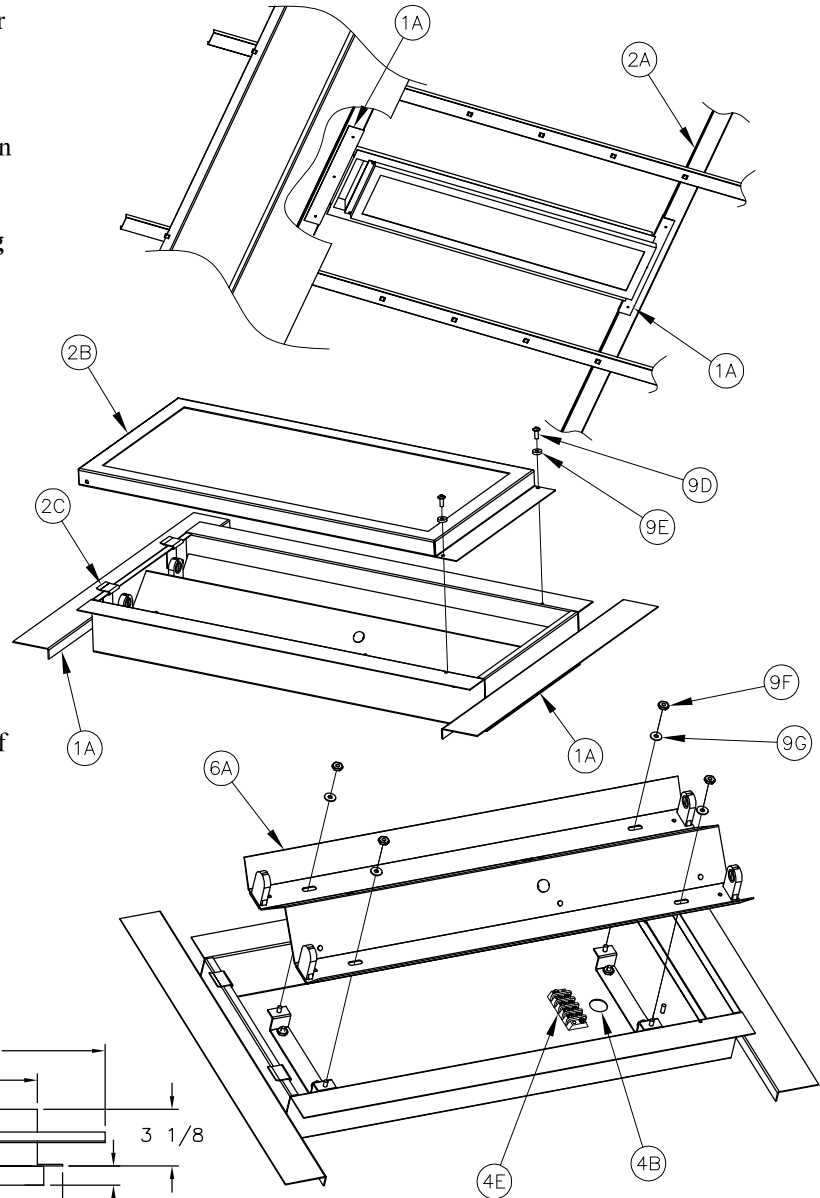
1. Review **page 2**, dimensional and orientation information for proper mounting.
2. Drill (2x) mounting holes for minimum 1/4" bolts through each suspension bracket (1A). Clean all foreign material.
3. Mount fixture to mounting joist (2A) in its intended location using minimum 4x, 1/4" bolts (not provided).

NOTE: This fixture is listed as "Marine Inside Type Drip-proof", consideration should be given when selecting cord grips to insure a drip-proof seal around the cable.

4. Remove screws (9D,2x) and washers (9E,2x). Disengage lens frame door (2B) from clips (2C).
5. Remove nuts (9F, 4x) and washers (9G,4x). Slide out reflector assembly (6A).
6. Break 1/2" knock out opening (4B).
7. Select electrical fitting and route wires thru fitting and into fixture.

⚠ CAUTION See product label for voltage input and amperage load per fixture. Use only approved electrical type splices. Route wires away from fluorescent ballast when feeding cables through fixture.

8. Connect wires to terminal block (4E):
Connect L1 or hot lead to black wire terminal.
Connect L2 or neutral to white wire terminal.
Connect ground wire to ground screw or green wire on back of reflector assembly (6A).
9. Replace reflector assembly (6A) and tighten nuts (9F,4x) and washers (9G,4x).
10. Install lamps.
11. Engage lens frame door (2B) to clips (2C) and tighten screws (9D,2x) and washers (9E,2x).



Mounting Dimensions				
Fixture	A	B	C	D
2 Foot	29.44"	24.94"	20"	22.62"
4 Foot	53.62"	49.12"	34"	46.25"

FDA / PERPENDICULAR SERIES FLUORESCENT LUMINAIRES

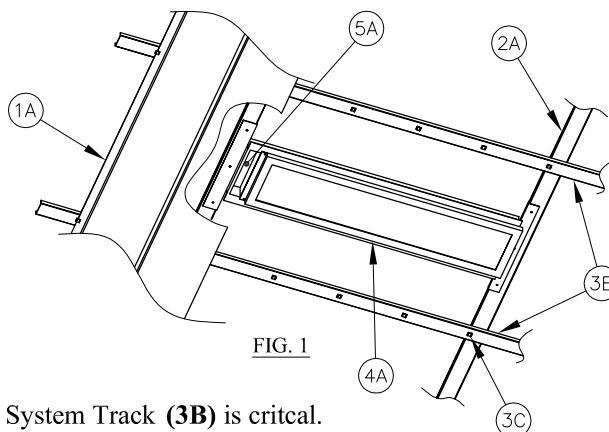
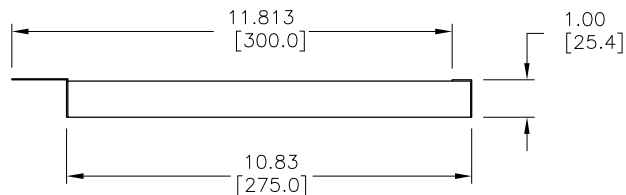
Installation & Maintenance Information

IF LBL1485

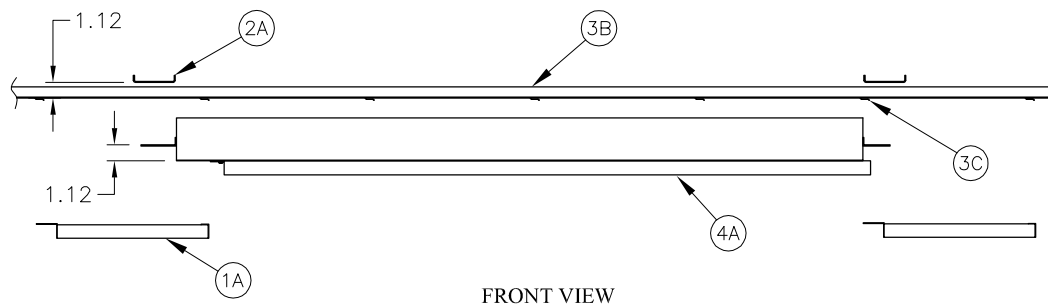
SAVE THESE INSTRUCTIONS FOR FUTURE REFERENCE

These instructions are dimensional and orientation information for proper mounting of **FDA Perpendicular Type to 300mm Suspended Ceiling System**. SEE PAGE 1 FOR ELECTRICAL WIRING.

1) Verify Ceiling Panel size (1A).

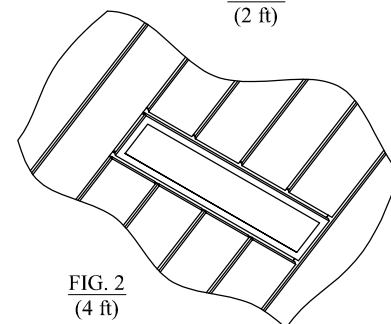
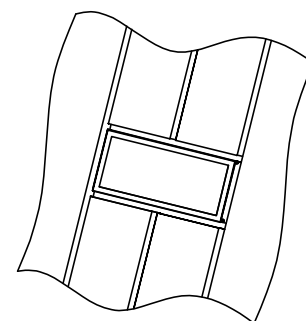
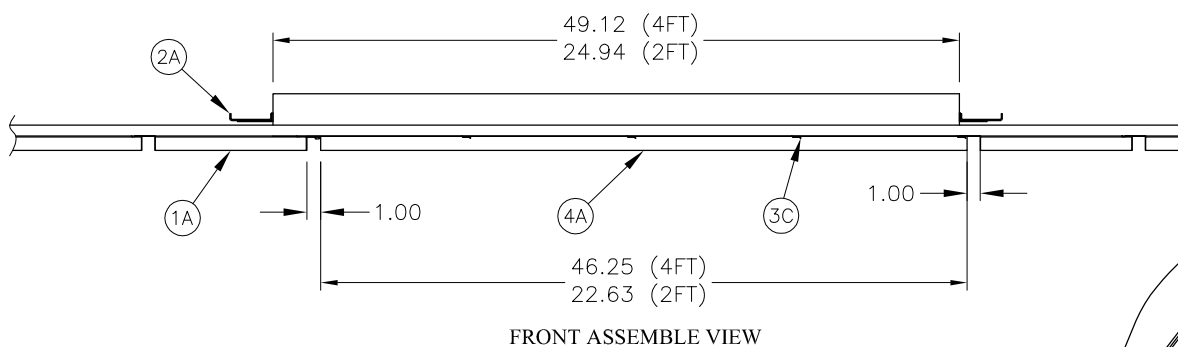


2) Vertical position between fixture mounting joist (2A) and Ceiling System Track (3B) is critical. Position fixture mounting joist (2A) at 1.12" above Ceiling System Track (3B) for fixture lens frame (4A) to be flush with Ceiling Panel surface (1A).



3) Lateral position between fixture mounting joist (2A) and Ceiling System Track Clip (3C) is critical.

Note: Fixture lens frame (4A) is 46.25"(4ft) or 22.63"(2ft). The lens frame takes the spacing of 4x(4ft) or 2x(2ft) Ceiling Panel (1A). Position fixture mounting joist (2A) for lens frame (4A) to take space of 4x(4ft) or 2x(2ft) Ceiling Panel (1" gap between Ceiling Panel will repeat between lens frame and Ceiling Panel).



4) Ceiling Panel (1A) will cover opening (5A) between lens frame and fixture housing (see figure 1 and figure 2).

All statements, technical information and recommendations contained herein are based on information and tests we believe to be reliable. The accuracy or completeness thereof are not guaranteed. In accordance with Crouse-Hinds "Terms and Conditions of Sale", and since conditions of use are outside our control, the purchaser should determine the suitability of the product for his intended use and assumes all risk and liability whatsoever in connection therewith.