

814 / 816 / 824 SERIES INCANDESCENT LUMINAIRES

Installation & Maintenance Information

SAVE THESE INSTRUCTIONS FOR FUTURE REFERENCE

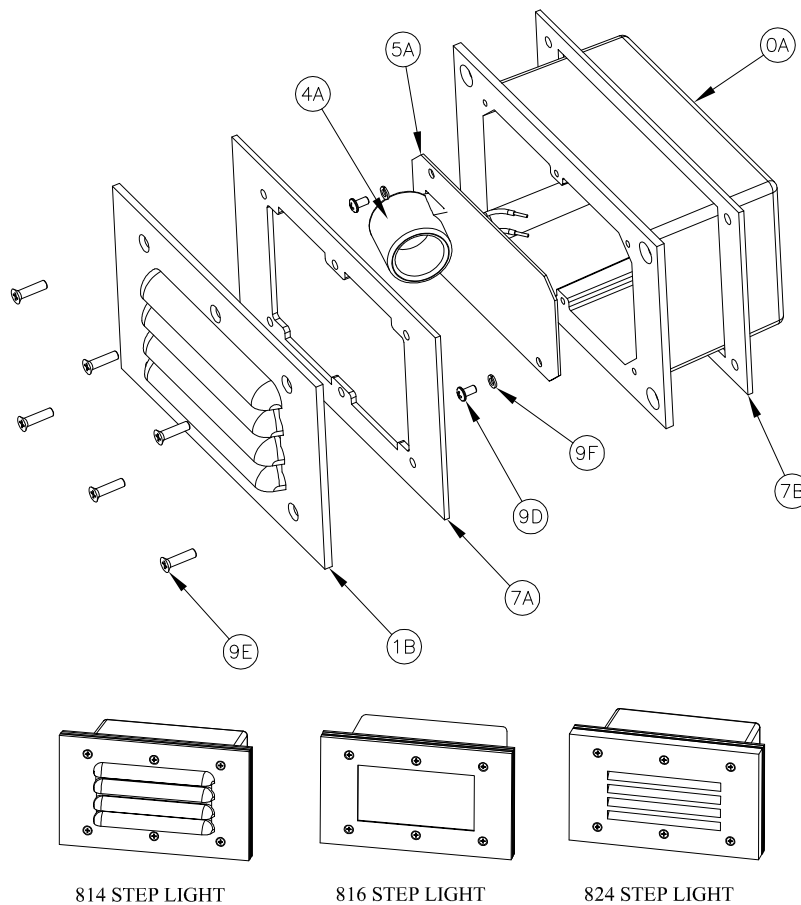
CAUTION Read carefully before installing and wiring the luminaire. Check the ratings to insure suitability for the area. Must be installed in accordance with the NEC (National Electrical Code) and all other applicable codes. Marine installations on boats should be done in accordance with the regulations of the USCG, CFR46, SUB CHAPTER J, PARTS 110-113. These luminaires are not suitable for hazardous locations. All luminaires must be properly grounded.

These luminaires are supplied undrilled as standard. Optional outlets are available up to a maximum of 1" NPT. All holes added should be done by qualified personnel. Disconnect the fixture from the supply circuit before opening. Do not attempt to install this luminaire unless you are familiar with warnings, cautions and procedures outlined in this information sheet.

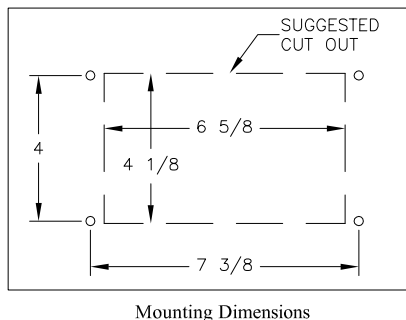
INSTALLATION & ELECTRICAL WIRING

WARNING Risk of electrical shock hazard, only qualified personnel should conduct this procedure!
Do not make electrical connections with the power ON. Use cu or cu clad wire only, rated 105°C.

1. Drill and tap outlet thru rear wall of housing (0A).
2. Cut out opening in desired location per dimensions in illustration below.
3. Make (4) mounting holes for minimum size #10 flat head screws (not provided) per illustration below.
4. Slide mounting gasket (7B) onto back of housing (0A).
5. Install fitting (not provided) with proper seal to housing (0A).
6. Route supply cable (not provided) thru fitting and tighten securely.
7. Place housing inside wall opening, align mounting gasket (7B) and housing (0A) to mounting holes. Making sure mounting gasket (7B) is flat against mounting surface.
8. Secure to wall with (4) minimum size #10 flat head screws (not provided).
9. Strip the supply cable(s) jacket back approximately 2". Strip the insulation of ground and supply wires approximately 3/8".
10. Using connectors, connect ground wire to green wire, connect the hot wire to black and neutral to the white wire.
11. Push all wires and connections behind plate (5A). Carefully align the holes in plate (5A) with holes inside housing (0A) making sure wires are not pinch between plate and housing. Install screws (9D) (qty 2, #8-32) with washers (9F) in place and tighten to approx. 8-10 in*lbs.
- CAUTION** Note maximum lamp wattage rating as indicated on the luminaire. Exceeding this can cause over heating, premature failure and be dangerous. The lampholder is rated for a maximum of 250 volts. The voltage of the lamp must correspond with the supply voltage.
12. Install the proper wattage lamp (not provided) into the lampholder, making sure the center contact of the lamp seats well into the lampholder (4A).
13. Place lens frame gasket (7A) onto housing (0A).
14. Install cover (1B) in proper orientation with screws (9E) (qty 6, #10-24) in place and tighten to approx. 12-15 in*lbs. For aluminum fixtures, apply the lubricant provided to cover screw threads.



Spare Parts		
Item #	Description	Part Number
7A	Lens Frame Gasket	GKT5024
7B	Mounting Gasket	GKT5089
-	814 Glass Lens	INX2114
-	816 Glass Lens	INX2002
-	824 Glass Lens	INX2111
4A	Lampholder	INX4088



All statements, technical information and recommendations contained herein are based on information and tests we believe to be reliable. The accuracy or completeness thereof are not guaranteed. In accordance with Crouse-Hinds "Terms and Conditions of Sale", and since conditions of use are outside our control, the purchaser should determine the suitability of the product for his intended use and assumes all risk and liability whatsoever in connection therewith.