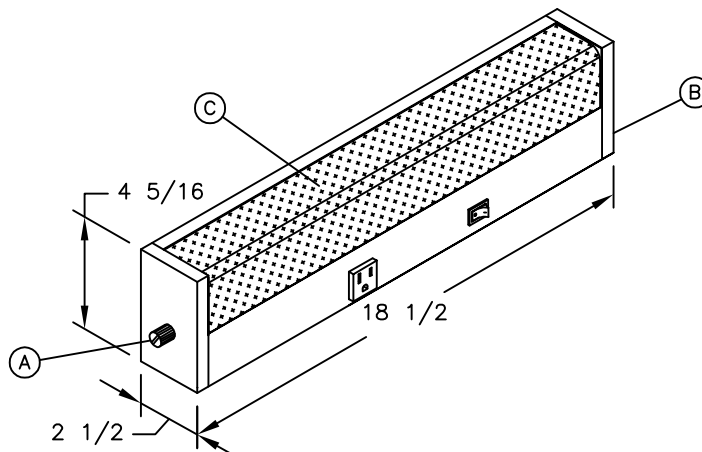


# FMR SERIES FLUORESCENT LUMINAIRES

## Installation & Maintenance Information

IF LBL1367

**SAVE THESE INSTRUCTIONS FOR FUTURE REFERENCE**



### Important:

Do not attempt to install fixture unless you are familiar with the warnings, cautions and procedures outlined in this instruction sheet.

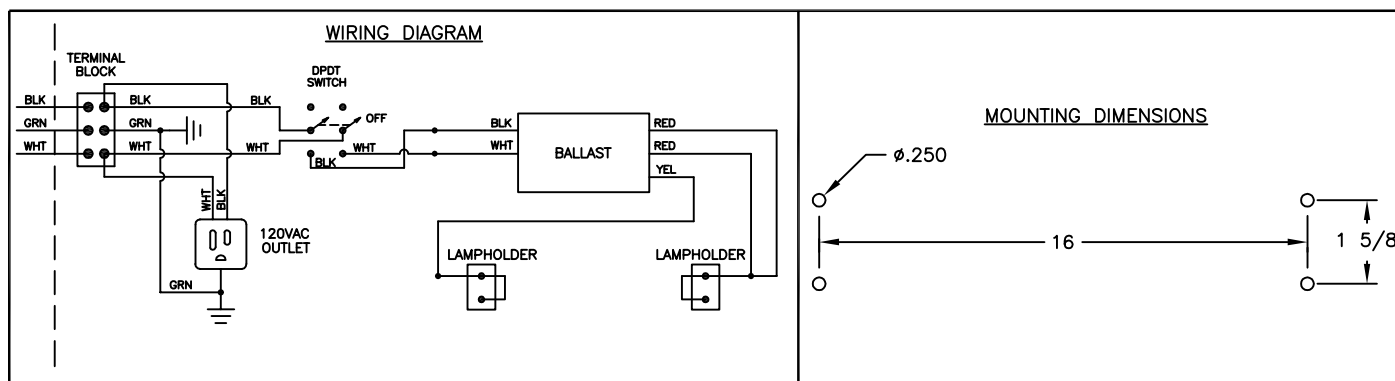
**Warning: All electrical wiring should be done by qualified electricians only.**

**Do not attempt to wire fixture unless the power supply is known to be off.**

**Note: All fixtures must be properly grounded. See product label for voltage and amperage.**

**Installation:** For wall or bulkhead mount only.

1. Loosen thumbscrews (A) and completely remove both end caps (B).
2. Remove the lens (C) by sliding left or right.
3. If provided, remove lamp by rotating 90°.
4. Remove both screws holding reflector in place.
5. Move reflector out far enough so as to access the interior of the fixture.
6. Fixture must be fitted with the proper fittings and cable so as to be code compliant.
7. Mount fixture via 4 mounting holes with suggested #10 screws (not provided).
8. Wire L1 (hot) adjacent to black lead of terminal block.  
Wire L2 (neutral) adjacent to white lead of terminal block.  
Wire ground adjacent to green lead of terminal block.
9. Replace reflector and screws, paying attention to underlying wires.
10. Replace lamp, lens and end caps. The thumbscrews should be hand tightened only.
11. After installation is complete, apply power and inspect for proper operation.



All statements, technical information and recommendations contained herein are based on information and tests we believe to be reliable. The accuracy or completeness thereof are not guaranteed. In accordance with Crouse-Hinds "Terms and Conditions of Sale", and since conditions of use are outside our control, the purchaser should determine the suitability of the product for his intended use and assumes all risk and liability whatsoever in connection therewith.