

Pauluhn DFLA LED floodlights

Cl. I, Div. 2, Groups A, B, C, D
 Cl. I, Zone 2
 Cl. II, Groups E, F, G
 Cl. III

UL Listed
 Wet Locations
 Type 4X; IP66

5L

Pauluhn™ DFLA LED floodlights are designed to provide full-spectrum, crisp, white light for maximum visibility. Three versions are available, from 11,000 to 15,000 lumens, providing ideal solutions for a wide range of drilling applications.

Model	Nominal lumens ^A	Watts	Lumens per watt	Equivalent HID luminaire
DFLA11L	11,776	82	144	320W
DFLA13L	13,362	93	143	400W
DFLA15L	15,183	108	140	500W

Applications:

- Platform and perimeter lighting for land and marine drilling rigs
- Hazardous outdoor area lighting in land-based and offshore rigs; areas include: derrick, mast, SCR house, top drive, operator's house, pump and power stations

Features:

- Rugged design – engineered to perform in ambient temperatures up to +55°C and as low as -40°C
- Dimmable driver, 0-10V
- High efficiency – engineered to deliver up to 140+ lumens per watt
- Full-frame yoke – designed to utilize the SFA6 slipfitter, SWB6 wall mount bracket and SC30H safety cable, making it ideal for retrofit or new installations
- Custom optics – standard 7x6 pattern provides maximum light distribution

Certifications and compliances:

NEC/CEC:

- Class I, Division 2, Groups A, B, C, D
- Class I, Zone 2
- Class II, Groups E, F, G
- Class III
- Simultaneous Presence
- Wet locations
- Type 4X, IP66

UL standards:

- UL844; UL1598; UL1598A; UL8750



Smaller footprint and reduced weight versus previous generation floodlights

Electrical ratings:

Model	Input power (watts)	Input amps at 120-277 VAC
DFLA11L	81.0 - 84.0	0.84 - 0.30
DFLA13L	91.0 - 95.0	0.95 - 0.34
DFLA15L	107.0 - 113.0	1.12 - 0.40

DFLA11L - DFLA15L

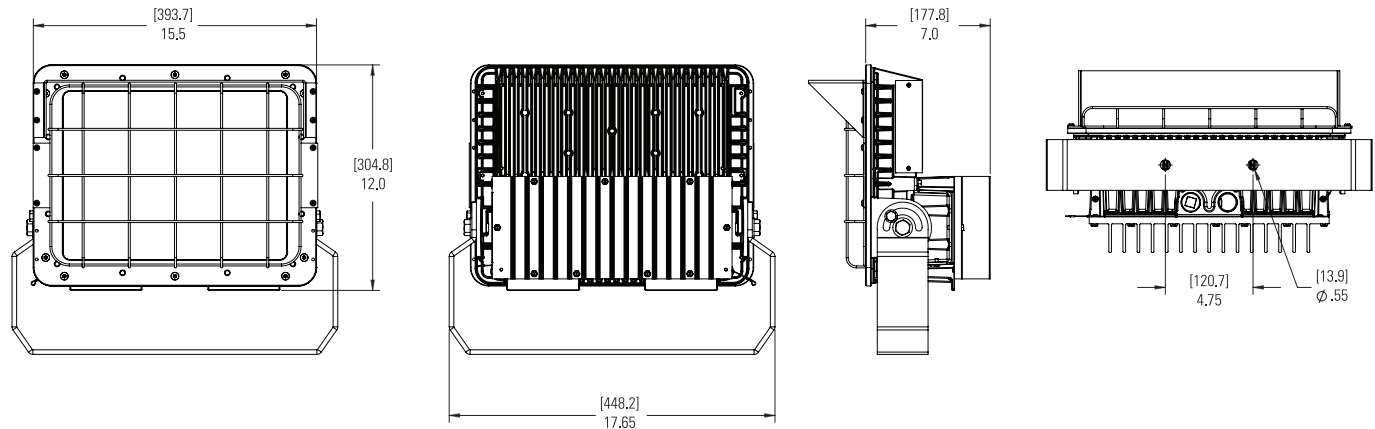
Voltage range, VAC	100-277V at 50/60 Hz; 347-480V at 50/60 Hz
Voltage range, VDC	127-250V
Power factor	>0.90

Photometrics:

- Refer to www.eaton.com (under the Resources tab of each product family) for specific photometric IES files

Weights and dimensions:

	Weight (lbs.)	Length (in.)	Width (in.)	Height (in.)
All models	32.00	15.50	7.00	12.00



^ATolerance +/- 10%; at 120 VAC, 25°C ambient, 7x6 optics.

Pauluhn DFLA LED floodlights

Cl. I, Div. 2, Groups A, B, C, D
 Cl. I, Zone 2
 Cl. II, Groups E, F, G
 Cl. III

UL Listed
 Wet Locations
 Type 4X; IP66

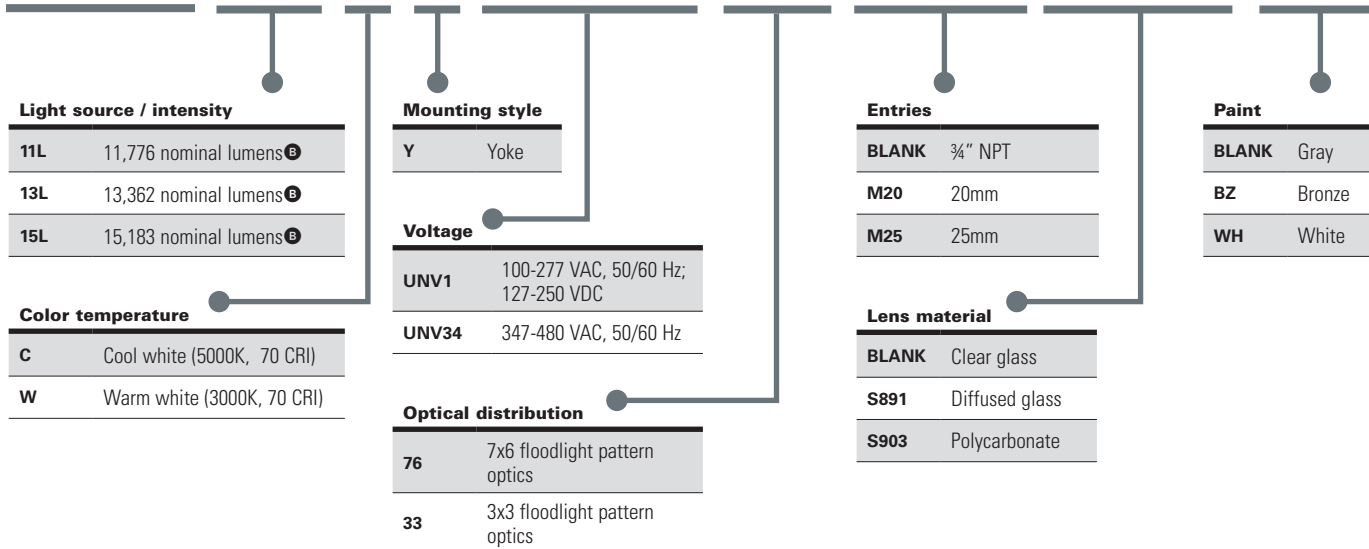
5L

Ordering information:

Part number example

DFLA11LCY-UNV1-76-M20-S891-BZ

DFLA 11L C Y -UNV1 -76 -M20 -S891 -BZ



Accessories (ordered separately):

Description

- Bull horn, gray..... **BLHN**
- Bull horn, bronze..... **BLHN-BZ**
- Bull horn, white **BLHN-WH**
- Bolt-on visor..... **DSV2**
- Bolt-on wire guard..... **P62**
- 316 stainless steel safety cable **SC831**
Can be added in the field
- Floodlight slipfitter..... **SFA6**
- Slipfitter wall mount adapter **SWB6**

Replacement driver kits (ordered separately)

FMVA 9-11-13L UNV1 DRIVER KIT	UNV1 replacement driver kit for 9L, 11L and 13L models
FMVA 15L UNV1 DRIVER KIT	UNV1 replacement driver kit for 15L model
FMVA 9L-11L UNV34 DRIVER KIT	UNV34 replacement driver kit for 9L and 11L models
FMVA 13L-15L UNV34 DRIVER KIT	UNV34 replacement driver kit for 13L and 15L models

[Ⓟ]7x6 model.