

# Pauluhn DFL LED floodlights

Cl. I, Div. 2, Groups A, B, C, D  
Cl. I, Zone 2, Ex nA II

UL Listed  
CSA Certified  
Type 4X; IP66

6L

Pauluhn™ DFL LED floodlights are designed to provide full-spectrum, crisp, white light for maximum visibility. Three versions are available, from 11,000 to 15,000 lumens, providing ideal solutions for a wide range of drilling applications.

Model	Nominal lumens	Watts <sup>A</sup>	Equivalent HID luminaire	Typical energy savings / lifetime
DFL11L	11,107	99	250W-320W	Up to 70% reduction in energy costs and 120,000 hours of continuous operation
DFL13L	13,100	112	320W-400W	
DFL15L	15,181	131	450W	

## Applications:

- Platform and perimeter lighting for land and marine drilling rigs
- Hazardous outdoor area lighting in land-based and offshore rigs; areas include: derrick, mast, SCR house, top drive, operator's house, pump and power stations

## Features:

- Rugged design – engineered to perform in ambient temperatures up to +55°C and as low as -40°C
- High efficiency – engineered to deliver up to 112+ lumens per watt
- Full-frame yoke – designed to utilize the SFA6 slipfitter, SWB6 wall mount bracket and SC30H safety cable, making it ideal for retrofit or new installations
- Custom optics – standard 7x6 pattern provides maximum light distribution
- 5 year fixture warranty

## Certifications and compliances:

### NEC/CEC:

- Class I, Division 2, Groups A, B, C, D
- Class I, Zone 2, Ex nA II
- Type 4X, IP66

### UL standards:

- UL844; UL1598; UL1598A; UL8750

### CSA standard:

- CSA C22.2 No. 137

## Electrical ratings:

Model	Input power (watts)	Input amps at 120-277 VAC
DFL11L	98.8 - 99.9	0.83 - 0.37
DFL13L	111.8 - 112.4	0.94 - 0.42
DFL15L	131.4 - 131.5	1.10 - 0.48

### DFL11L-DFL15L

Voltage range, VAC	100-277V at 50/60 Hz; 347-480V at 60 Hz
Voltage range, VDC	108-250V at 50/60 Hz
Power factor	>0.90



Smaller footprint and reduced weight versus previous generation floodlights

## Photometrics:

- Complete photometrics can be found at [www.crouse-hinds.com/photometrics](http://www.crouse-hinds.com/photometrics)

6L

<sup>A</sup>UNV1 at 120 VAC.

# Pauluhn DFL LED floodlights

Cl. I, Div. 2, Groups A, B, C, D  
Cl. I, Zone 2, Ex nA II

UL Listed  
CSA Certified  
Type 4X; IP66

6L

## Ordering information:

Part number example  
**DFL11LCY/UNV1 76**

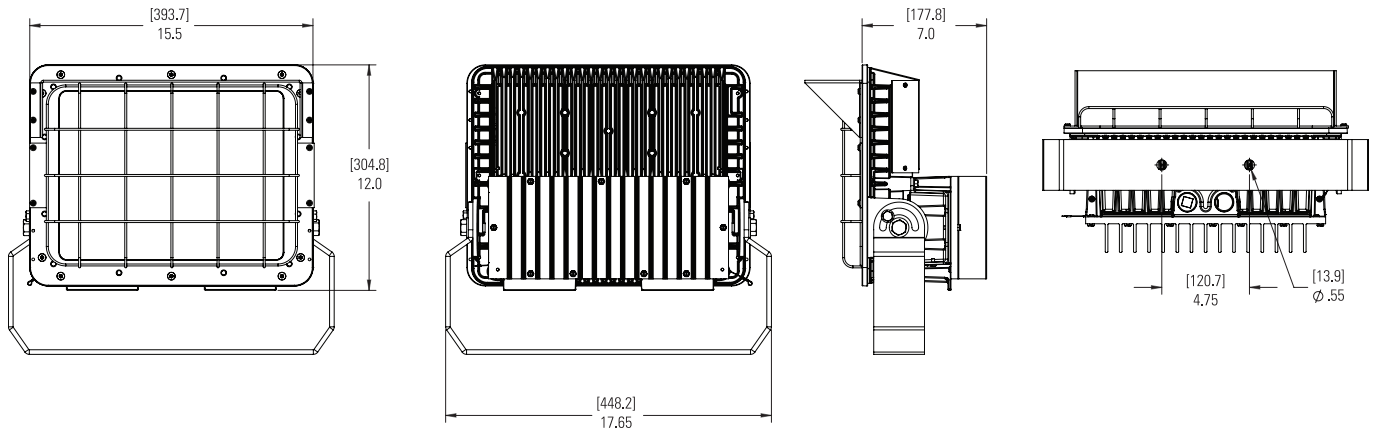
<b>DFL</b>	<b>11L</b>	<b>C</b>	<b>Y</b>	<b>/UNV1</b>	<b>76</b>														
<b>Light source / intensity</b>	<b>Color temperature</b>			<b>Voltage</b>	<b>Optical distribution</b>														
<table border="1"> <tr><td>11L</td><td>11,107 nominal lumens</td></tr> <tr><td>13L</td><td>13,100 nominal lumens</td></tr> <tr><td>15L</td><td>15,181 nominal lumens</td></tr> </table>	11L	11,107 nominal lumens	13L	13,100 nominal lumens	15L	15,181 nominal lumens	<table border="1"> <tr><td>C</td><td>Cool white (5000K, 70 CRI)</td></tr> </table>	C	Cool white (5000K, 70 CRI)			<table border="1"> <tr><td>/UNV1</td><td>100-277 VAC, 50/60 Hz; 108-250 VDC</td></tr> <tr><td>/UNV34</td><td>347-480 VAC, 50/60 Hz</td></tr> </table>	/UNV1	100-277 VAC, 50/60 Hz; 108-250 VDC	/UNV34	347-480 VAC, 50/60 Hz	<table border="1"> <tr><td>76</td><td>7x6 floodlight pattern optics</td></tr> </table>	76	7x6 floodlight pattern optics
11L	11,107 nominal lumens																		
13L	13,100 nominal lumens																		
15L	15,181 nominal lumens																		
C	Cool white (5000K, 70 CRI)																		
/UNV1	100-277 VAC, 50/60 Hz; 108-250 VDC																		
/UNV34	347-480 VAC, 50/60 Hz																		
76	7x6 floodlight pattern optics																		
		<b>Mounting style</b>																	
		<table border="1"> <tr><td>Y</td><td>Yoke</td></tr> </table>	Y	Yoke															
Y	Yoke																		

## Accessories (ordered separately):

Description	Cat. #
• 2" pole mount slipfitter adapter .....	<b>SFA6</b>
• Steel wall bracket .....	<b>SWB6</b>
• 48" stainless steel safety cable .....	<b>SC30H</b>

## Weights and dimensions:

	Weight (lbs.)	Length (in.)	Width (in.)	Height (in.)
All models	31.80	15.50	7.00	12.00



6L