

Pauluhn WashPro linear fluorescent luminaires

Low bay luminaires for food and beverage and hazardous areas

Cl. I, Div. 2, Groups A, B, C, D
Cl. II, Div. 2, Groups F, G
Cl. III
Type 4

5L

Applications:

- Locations requiring continuous and consistent light levels
- Food and beverage processing and storage
- Power generation facilities
- Water/wastewater treatment facilities
- Pulp and paper production
- Grain and sugar milling, processing and storage

Features:

- High lumen output: up to 30,000 lumens
- Available in T8, T12 and T5HO fluorescent models
- NSF rated
- Operating ambient: -20°C to +55°C
- High pressure hose down rated to 1,500 psi

Certifications and compliances:

- Class I, Division 2, Groups A, B, C, D
- Class II, Division 2, Groups F, G
- Class III
- Type 4
- Conforms to IP66
- NSF
- UL844 – Hazardous Locations
- UL1598 – Luminaires (CSA-US)
- UL924 – Emergency Lighting Equipment (CSA-US)
- CSA 22.2 No. 250-4
- CSA Class 3428 03; Class 3428 83; Class 3425 03; Class 3425 83
- Canadian Processed Products Regulations C.R.C., c.291
- NSF/ANSI 2-2010 Food Contact (WPSH only)
- NSF/ANSI 2-2010 Splash Zone



Standard materials:

- Housing – end caps non-metallic or stainless steel (standard); polycarbonate center stud (optional)
- Lens – acrylic
- Gasket – neoprene
- External hardware – stainless steel

Photometrics:

- Complete photometrics can be found at www.crouse-hinds.com/photometrics

Ordering information:

Part number example
WPH82870EM1

WPH	8	2	8	7	0	EM1	
Model			Lamp types			Options	
WPH	Standard (non-metallic)		1	2 ft. F17, 4 ft. F32 (T8 bi-pin) or 8 ft. F96 (single pin)		EM1	Emergency battery back-up ballast, one lamp, 277V max.
WPSH	Stainless steel end caps		5	2 ft. F24 or 4 ft. F54 (T5HO mini bi-pin)		EMT1	Emergency battery back-up ballast, one lamp, 277V max., test switch
Length (nominal)			6	2 ft. F14 or 4 ft. F28 (T5 mini bi-pin)		L	Lamps
2	2 foot		7	4 ft. F48 or 8 ft. F96 (T8HO RDC)		S	Switch, on/off
4	4 foot		8	2 ft. F24, 4 ft. F48 or 8 ft. F96 (T12HO RDC)			
8	8 foot		Voltage / frequency				
Number of lamps			6	347V, 60 Hz			
2	2 lamps		7	120-277V, 50/60 Hz			
3	3 lamps (lamp types 1, 5, 6)		9	480V, 60 Hz			
4^A	4 lamps						
6	6 lamps						
					Mounting style		
					0	Standard end cap with (1) strain relief connector	
					1	Standard end cap, through feed with (2) strain relief connectors	
					2	Center stud end cap with (1) strain relief connector and hanger brackets	
					3	Center stud end cap, through feed with (2) strain relief connectors and hanger brackets	
					4	Same as #2, with wall mount brackets	
					5	Same as #3, with wall mount brackets	
					6	Same as #2, with WP1050MTK straps	
					7	Same as #3, with WP1050MTK straps	
					8	Same as #0, with WP1050MTK straps	
					9	Same as #1, with WP1050MTK straps	

^A 4 ft. fixture: lamp types 5, 6 only; 8 ft. fixture with four 4 ft. lamps: lamp types 1, 5, 6, 8.

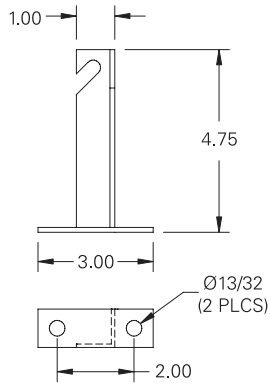
Pauluhn WashPro linear fluorescent luminaires

Low bay luminaires for food and beverage and hazardous areas

Cl. I, Div. 2, Groups A, B, C, D
Cl. II, Div. 2, Groups F, G
Cl. III
Type 4

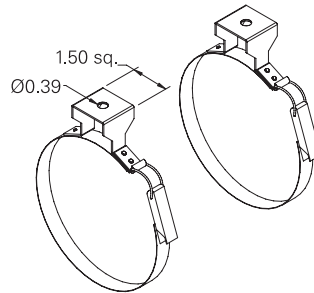
5L

Mounting options and accessories:



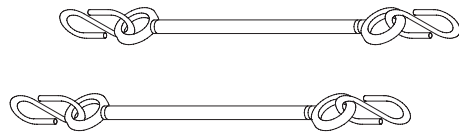
FX7090

Wall mount bracket
For center stud end caps



WP1050MTK

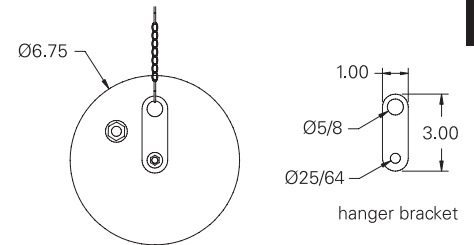
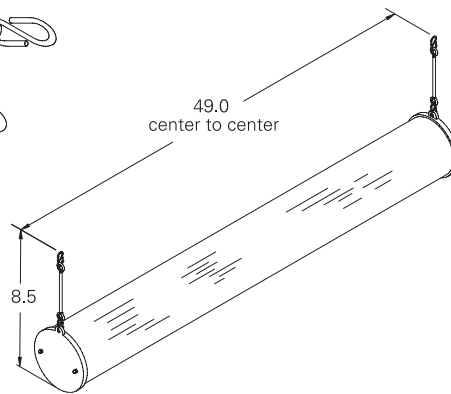
Quick release stainless steel straps
(2) included with mountings 6, 7, 8, 9



WP1012MTK

Suspended cable kit
(2) 12 inch nylon coated stainless steel cables with crimped-on loops; (2) "S" hooks

(if longer cable required, change '12' in catalog number to required length)



Center stud end cap

Includes hanger bracket and stainless steel chain mount
(mountings 2 & 3)

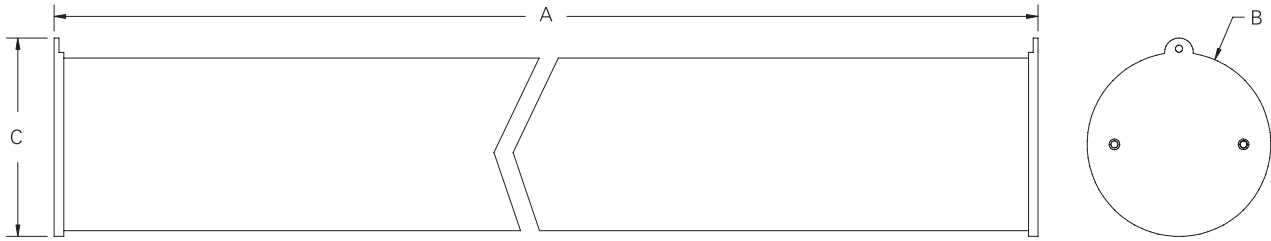
Pauluhn WashPro linear fluorescent luminaires

Low bay luminaires for food and beverage and hazardous areas

Cl. I, Div. 2, Groups A, B, C, D
Cl. II, Div. 2, Groups F, G
Cl. III
Type 4

5L

Dimensions:



Nominal length	Dimensions in inches / centimeters			Carton W x D x L (in.)	Nominal weight	
	A	B	C		Lbs.	Kg.
2 foot	25.00 (63.50)	6.40 (16.30)	7.03 (17.86)	8 ³ / ₄ x 6 ¹ / ₄ x 31 ¹ / ₈	12.40	5.60
4 foot	49.00 (124.50)	6.40 (16.30)	7.03 (17.86)	8 x 8 x 51 ¹ / ₄	20.30	9.20
8 foot	97.00 (246.40)	6.40 (16.30)	7.03 (17.86)	8 x 8 x 99 ¹ / ₄	36.10	16.40

Temperature performance data:

Temperature code T4A: 40°C maximum ambient; 347 VAC maximum, 50/60 Hz

Lamp type	No. of lamps	Ambient temperature		
		40°C	50°C	55°C
T5	1-3	T5	—	—
T5HO	1-3	T5	—	—
T8	1-3	T5	T5	T5
T12HO	1-3	T4A	—	—