

Vaporgard Pro P2L/P3L LED luminaires

UL/cUL Listed
Wet Locations
Type 4X; IP66

2L

2L

The Vaporgard Pro P2L family

Cool white color temperature – 5000K

Provides uniform crisp, white light and is suitable for lower mounting heights, confined spaces, tunnels or utility rooms. This fixture can deliver similar light levels to 50 watt HID.

Warm white color temperature – 3000K

Provides similar benefits as the cool white version, but with a color rendering more consistent with a warm incandescent or HPS lamp source.

Available with DC power supply

For applications with DC power requirements such as solar, battery or UPS. The DC power supply is suitable for 12 VDC through 24 VDC.

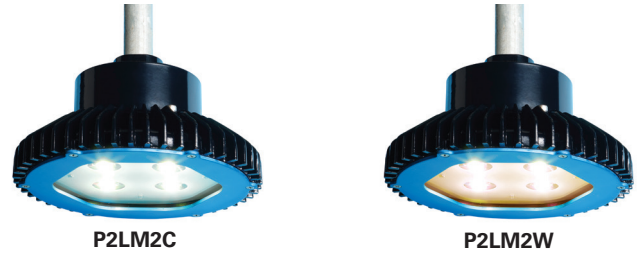
Model	Nominal lumens	Watts	Equivalent luminaire	Typical energy savings / lifetime
P2LM2C/UNV1	1,772	14	50W HID or 150-200W incandescent	90% energy savings and 50,000 hours of 24/7 operation
P3LM2C/UNV1	3,335	29		

Applications:

- For areas with mounting heights up to 6 feet
- Heavy industrial, mine site processing areas, platforms, loading docks, tunnels, outdoor wall and stanchion mounted general area lighting, and areas requiring frequent on-and-off of lights
- Locations requiring continuous and consistent light levels in extreme ambient temperatures
- Where extremely corrosive, wet, dusty, hot and/or cold conditions exist
- Type 4X, marine, wet locations and hose down environments
- Ordinary non-hazardous locations

Features:

- Instant illumination and restrike
- Cold temperature operation; no warm-up time
- Lightweight, low profile and cool surface temperatures
- Driver with internal fusing for branch circuit protection
- High efficacy LEDs can save up to 90% in energy costs
- 70,000 hours rated life can provide 8 years of maintenance-free lighting
- No mercury or hazardous chemicals – eliminates disposal concerns
- Mounts to existing Vaporgard mounting modules
- Shock- and vibration-resistant
- Teflon coated lens (suffix S896) option for increased safety in food processing facilities
- Low starting temperature: -30°C
- Operating ambient: -30°C to +55°C



Certifications and compliances:

- DesignLights Consortium® approved for select models

NEC/CEC:

- Wet locations, Type 4X, IP66

UL standards:

- UL1598 – Luminaires
- UL1598A – Marine

CSA standard:

- cUL Listed to CSA standard CSA C22.2 No. 250

IEC standard:

- CE

Standard materials:

- Body and mounting modules – copper-free aluminum with Corro-free epoxy powder coat
- Lens bezel – aluminum with anodized finish
- Lens – heat- and impact-resistant glass
- Gaskets – silicone
- External hardware – stainless steel
- Factory sealed, no external seals required

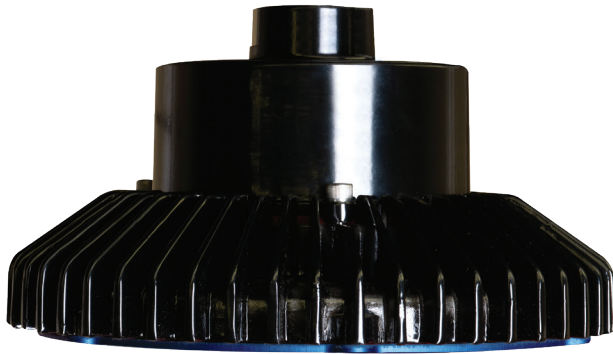
Photometrics:

- Complete photometrics can be found at www.crouse-hinds.com/photometrics

Electrical ratings:

Model	120-277 VAC input		12-24 VDC input	
	Power	Current	Power	Current
P2LM2	14W	0.12A	14W	1.4A
P3LM2	29W	0.24A	31W	3.0A

Note: 5 year limited warranty.



EASY INSTALLATION AND REPLACEMENT

- Contractor-friendly design is ideal for both retrofit and new construction applications
- Installed using the same wall and ceiling mounts as incandescent Vaporgard fixtures

RUGGED HEAT SINK

- Heat sink designed to perform in high ambient temperatures up to +55°C and as low as -30°C
- Thick walled castings make for a tough, rugged housing that keeps the internal driver and LED temperature down

LOW PROFILE DESIGN

- Unique domeless, low profile design for low mounting heights and confined spaces where incandescent and HID based luminaires are too large to fit in the mechanical envelope required

MULTIPLE LENS OPTIONS

- Tempered clear glass lens standard
- Diffused glass lens and Teflon coated lens options available

MODULAR DESIGN

- Compact and modular design allows for easy component replacement and future upgrades



Vaporgard Pro P2L/P3L LED luminaires

UL/cUL Listed
Wet Locations
Type 4X; IP66

2L

2L

LED driver:

- Constant current regulated power supply
- 120-277 VAC, 50/60 Hz
- Active power factor correction, >0.90
- Low harmonic distortion, <20%
- Low in-rush current, <20 amperes
- EMC compliant to 47CFR, Part 2, Part 15
- 12-24 VDC option available

LED system:

- Four high brightness LED arrays
- Cool white (5600K), CRI 70
- Neutral white (4000K), CRI 80
- Warm white (3000K), CRI 82
- L70 >60,000 hours

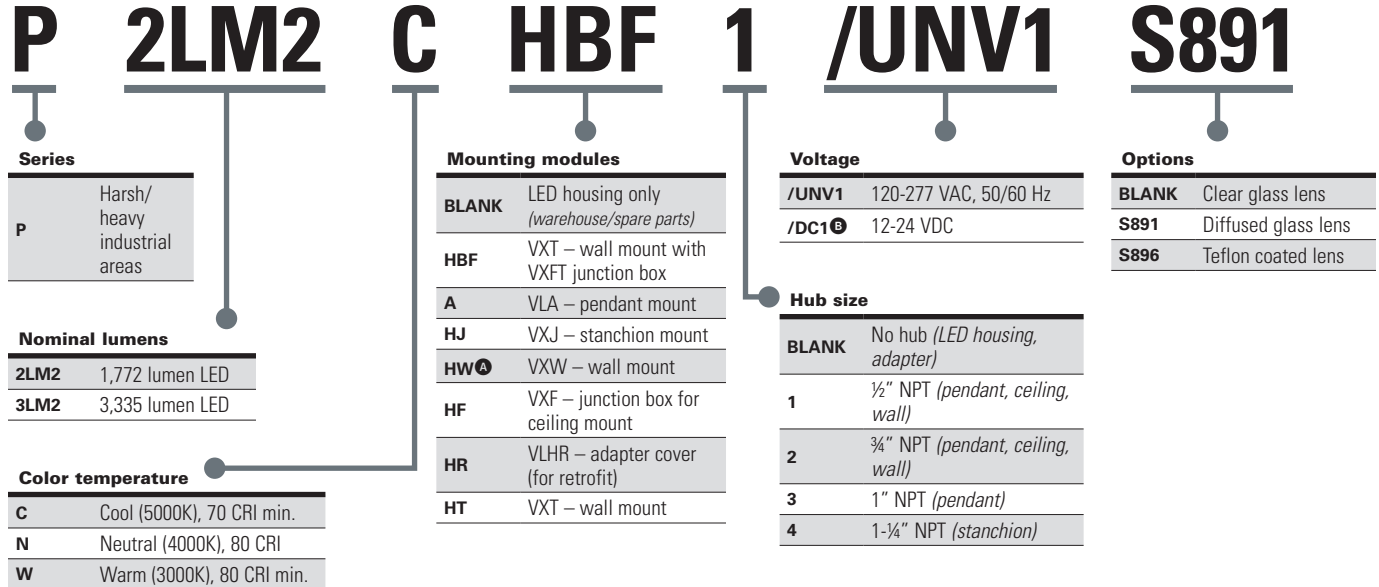
Weights:

Mounting style	Lbs.	Kg.
Pendant	5.70	2.59
Ceiling	6.80	3.08
Wall	7.90	3.58
Stanchion	6.50	2.95

Ordering information:

Part number example

P2LM2CHBF1/UNV1 S891



^AMounts directly to the wall, no VXFT junction box needed.

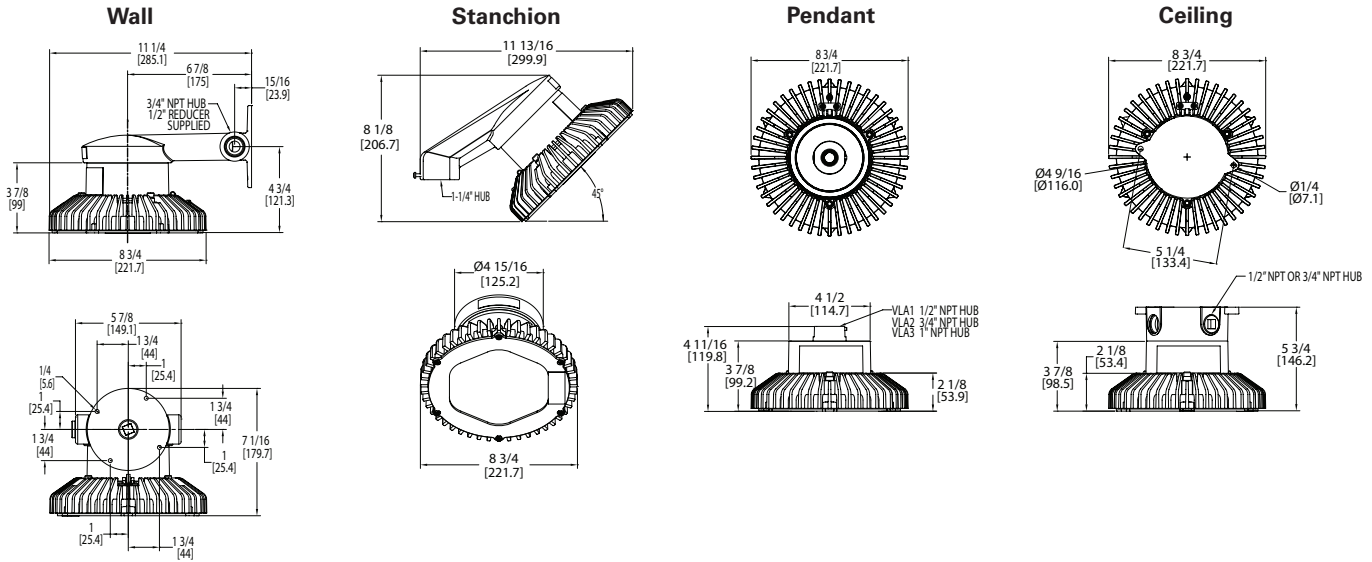
^BRated to +40°C.

Vaporgard Pro P2L/P3L LED luminaires

UL/cUL Listed
Wet Locations
Type 4X; IP66

2L

Dimensions:



Family tree:

