

UX LED exit signs are designed specifically for marking escape routes and exits in harsh and hazardous environments.

The UX is NEMA 4X and IP66 rated, approved for temperatures from -30°C to 50°C and Class I, Division 2 certified. The housing is die cast aluminum with a vandal-proof shield. The LED source is field configurable for red or green output. The self-powered version comes standard with a nickel cadmium battery and self-diagnostics.

Applications:

- Where illuminated exit signs are required
- In locations deemed hazardous due to the presence of flammable vapors or gases
- In areas where the presence of gases or vapors may become present during abnormal, unusual or accidental conditions
- Outdoor and wet applications
- Where required by the National Electrical Code, Life Safety Code or other applicable codes

Features:

- Wide operating temperature range (UX6: -40°C to 50°C; UX7: -30°C to 50°C)
- Die cast aluminum housing available in silver, black or white color
- Field configurable for red or green letters and chevrons
- Pendant or universal surface mounting
- Self-diagnostics standard with self-powered versions
- Heavy duty injection molded polycarbonate lens protects against impact and corrosion
- Brown-out protection protects battery and reduces labor
- Heavy duty aluminum die cast housing protects against impact and chemical resistance

Certifications and compliances:

NEC:

- Class I, Division 2, Groups A, B, C, D
- NEMA 4X, outdoor wet locations suitability
- NEC/OSHA

UL standards:

- UL50; UL844; UL924; UL1598A

IEC:

- IP66

NFPA:

- Life Safety Code NFPA101– Section 5-9 (Emergency Lighting)

National Sanitation Foundation:

- NSF Splash Zone (for food processing)



Standard materials:

- Housing – die cast aluminum
- Lens – polycarbonate
- Hardware – stainless steel

Electrical ratings:

	Input voltage	
	120V	277V
UX6		
Input current	0.09A	0.09A
Input power	1.1 watts	1.3 watts
Power factor	0.11	0.60
UX7		
Input current	0.10A	0.10A
Input power	1.4 watts	1.6 watts
Power factor	0.12	0.06

Electronics:

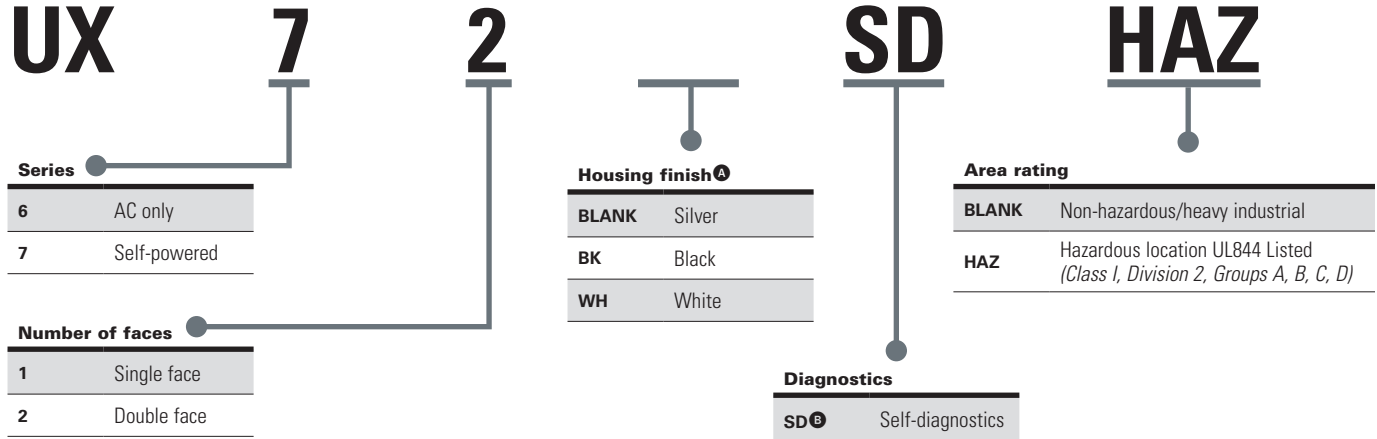
- Nickel cadmium battery standard on self-powered units
- Dual voltage input is standard

Self-diagnostics:

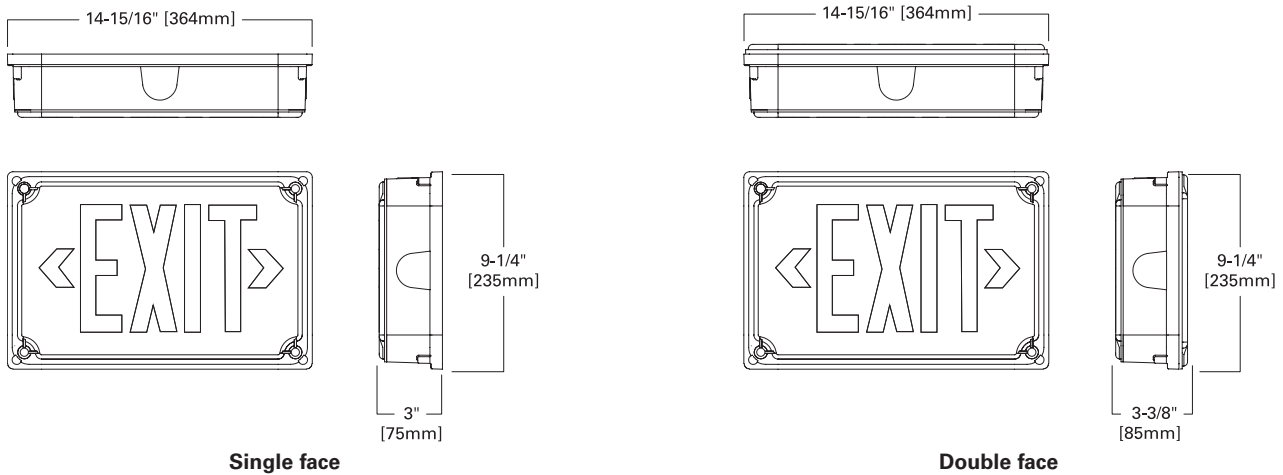
- Self-diagnostics software automatically performs all tests required by UL924 and NFPA101

Ordering information:

Part number example
UX72SDHAZ



Dimensions:



^A Hazardous rated version available with silver finish only.

^B Only available on self-powered units.