

# Pauluhn Summit linear fluorescent luminaires

Type 4, 4X; IP66

5L

High bay luminaires for food and beverage and industrial locations

## Applications:

- Locations requiring continuous and consistent light levels
- Food and beverage processing and storage
- Power generation facilities
- Water/wastewater treatment facilities
- Pharmaceutical facilities

## Features:

- High lumen output: up to 30,000 lumens
- Complete portfolio of T5, T8 and T5HO fluorescent models
- Versatile mounting options
- NSF rated
- Operating ambient: -25°C to +55°C
- Optimized debris shedding design
- USDA compliant
- High pressure hose down rated

## Certifications and compliances:

- Type 4 (EAB only); Type 4X (ESB only)
- IP66
- UL924 – Emergency Lighting Equipment (CSA-US)
- UL1598 – Luminaires (CSA-US)
- CSA 22.2 No. 250-4
- CSA C22.2 141
- Canadian Processed Products Regulations C.R.C., c.291
- NSF/ANSI 2-2010 Splash Zone

## Standard materials:

- Housing – Type 5052 aluminum (EAB only); Type 304 stainless steel; Type 316 stainless steel (optional) (ESB only)
- Lens – acrylic (standard); polycarbonate and tempered glass (optional)



ESB



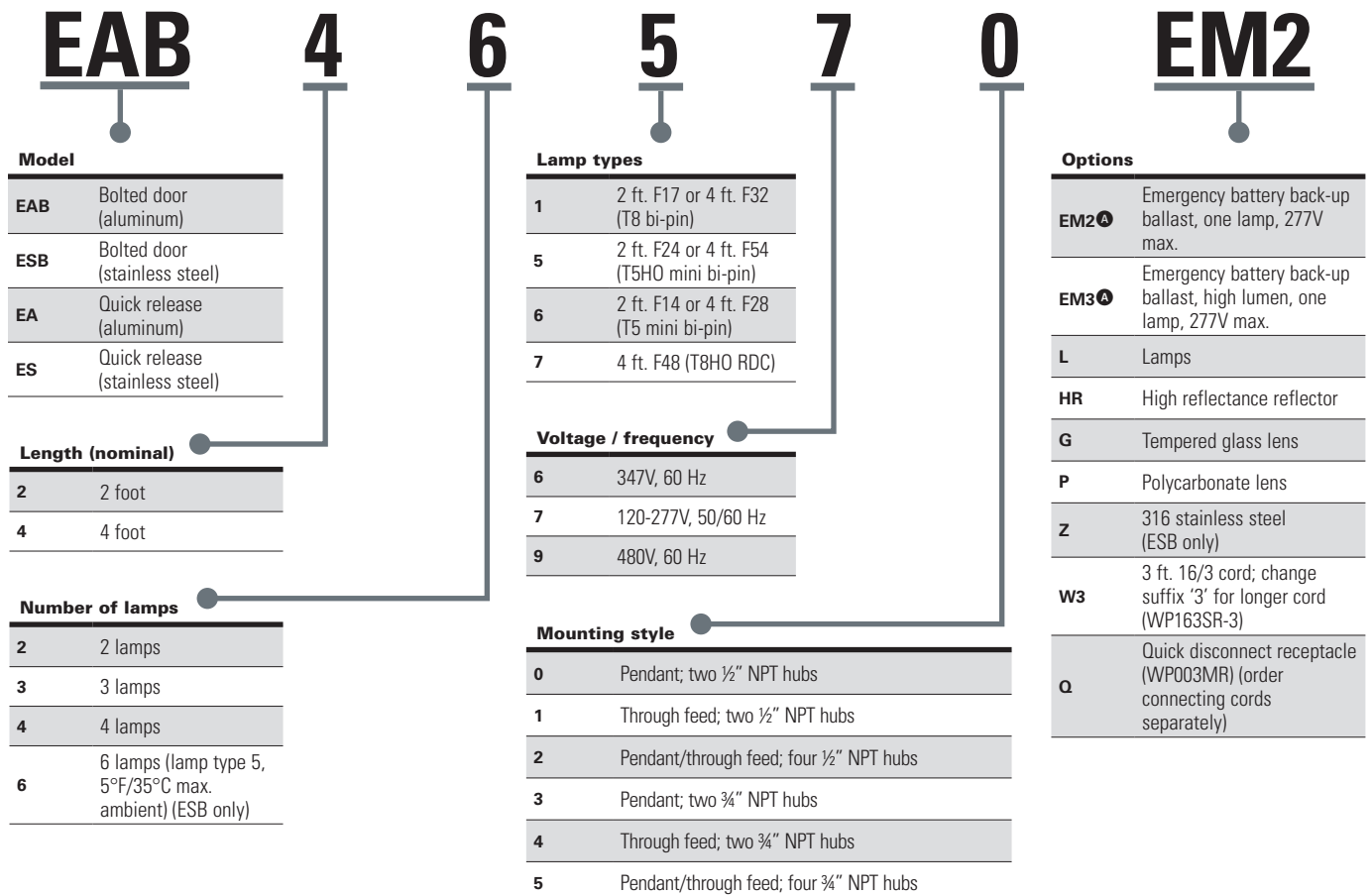
EAB

## Photometrics:

- Complete photometrics can be found at [www.crouse-hinds.com/photometrics](http://www.crouse-hinds.com/photometrics)

## Ordering information:

Part number example  
**EAB46570EM2**



<sup>A</sup>For T5 and T5HO, EM ballast is fixed voltage, 120 or 277V, 50/60 Hz.

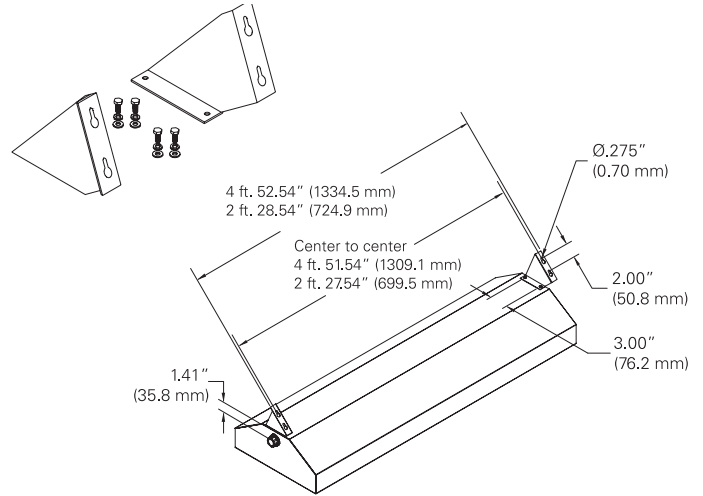
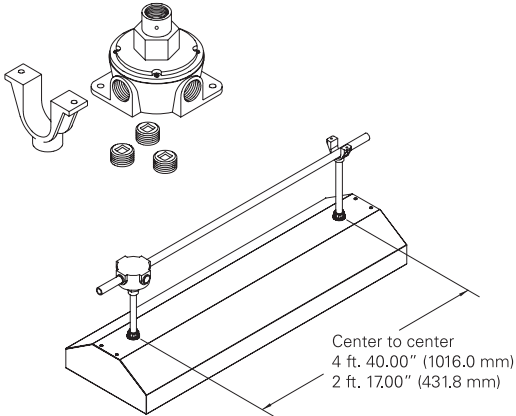
# Pauluhn Summit linear fluorescent luminaires

Type 4, 4X; IP66

5L

High bay luminaires for food and beverage and industrial locations

## Mounting options:



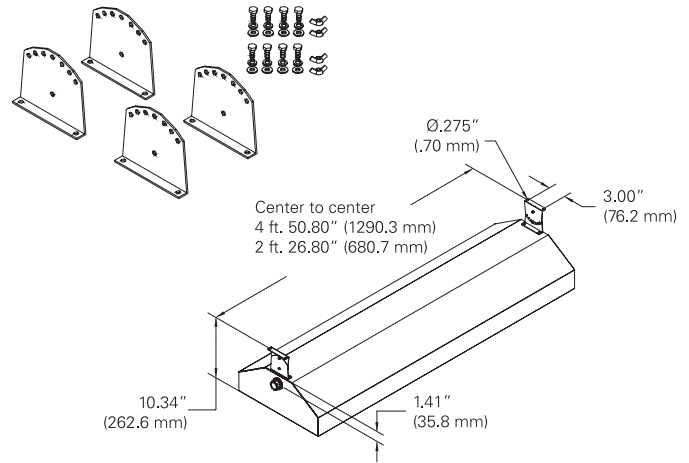
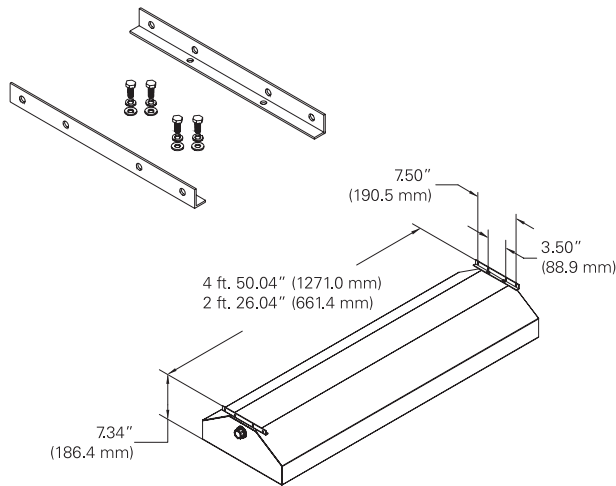
5L

### HP1095MTK

Pendant kit  
(1) saddle clamp and (1) universal junction box and cover (3/4" NPT hubs)

### HP1099MTK

Fixed wall mount kit  
(2) angled stainless steel wall brackets and hardware



### HP1093MTK

Chain/cable mount kit  
(2) stainless steel chain brackets and hardware

### HP1097MTK

Adjustable mount kit  
(2) pairs of stainless steel brackets and hardware

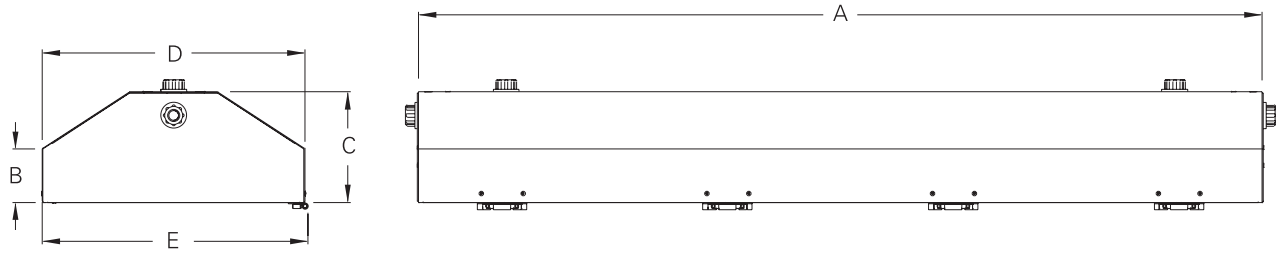
# Pauluhn Summit linear fluorescent luminaires

Type 4, 4X; IP66

5L

High bay luminaires for food and beverage and industrial locations

## Dimensions:



Nominal length	Dimensions in inches / centimeters					Carton L x W x D (in.)	Nominal weight <sup>Ⓟ</sup>	
	A	B	C	D	E		EAB series lbs. (kg.)	ESB series lbs. (kg.)
2 foot	26.59 (67.50)	3.20 (8.10)	6.59 (16.70)	15.72 (39.90)	15.92 (40.40)	28 <sup>3</sup> / <sub>4</sub> x 16 <sup>2</sup> / <sub>8</sub> x 7 <sup>1</sup> / <sub>8</sub>	21.00 (9.50)	30.00 (13.61)
4 foot	50.59 (128.50)	3.20 (8.10)	6.59 (16.70)	15.72 (39.90)	15.92 (40.40)	53 x 16 <sup>2</sup> / <sub>8</sub> x 7 <sup>1</sup> / <sub>8</sub>	34.00 (15.40)	54.00 (24.50)

<sup>Ⓟ</sup>Add 1.00 lb. for 3 or 4 lamps. Add 2.00 lbs. for 5 or 6 lamps.